

3D model is available on request

Specifications

Tank Configuration	Tank		
	14016585	14016586	
Tank part number	14016585	14016586	
Air breather included with tank	Yes	Yes	
Material	Steel	Aluminium	
L: Length of tank	620	620	mm
W: Width of tank	281	282	mm
H: Height of tank	701	702	mm
Gross volume	109	109	litres
Working volume 1	86	86	litres
Working volume 2	77	77	litres
Working volume 3	68	68	litres
Weight of tank	44	18.1	kg
A: Suction port*	1.5"	1.5"	BSP
B: Additional suction port**	1"	1"	BSP

*The suction port (A) is closed with temporary plastic plug (included in tank).

**Suction port (B) blinded with steel plug (included in tank).

Support Configuration	14016585	14016586	
C: Distance to port A	45.5	46	mm
D: Distance to port B	80		mm

Technical notes

Mount the tank according the mounting instructions · Fill the tank with the recommended hydraulic oil to the centre of the level indicator · Change the oil once a year · Replace the air breather and return filter element twice a year · Do not use the tank to stand on or as a support · Do not weld on the oil tank · Steel tank black painted (RAL9005) and yellow (RAL1023).

Related documentation

Mounting instructions: OIL-0026

Oil specifications: OIL-0011

Air breather

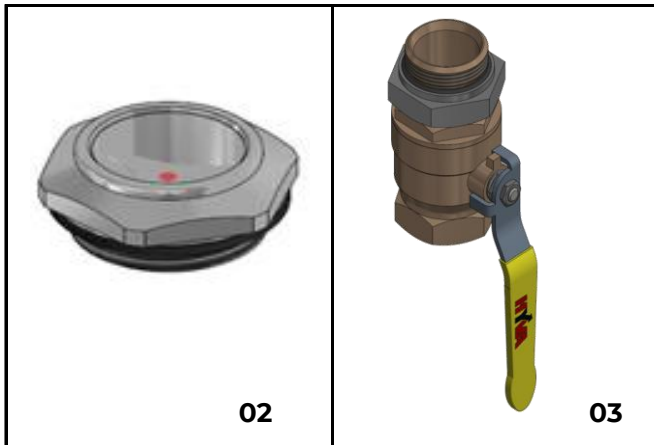


No.	Part no.	Description	Weight [kg]
01	08102116	Air breather	0.4

Attention! : Air breather is included with the Tank.

For air breather spec. sheet, see DO-E 08102116.

Accessories / Spare parts

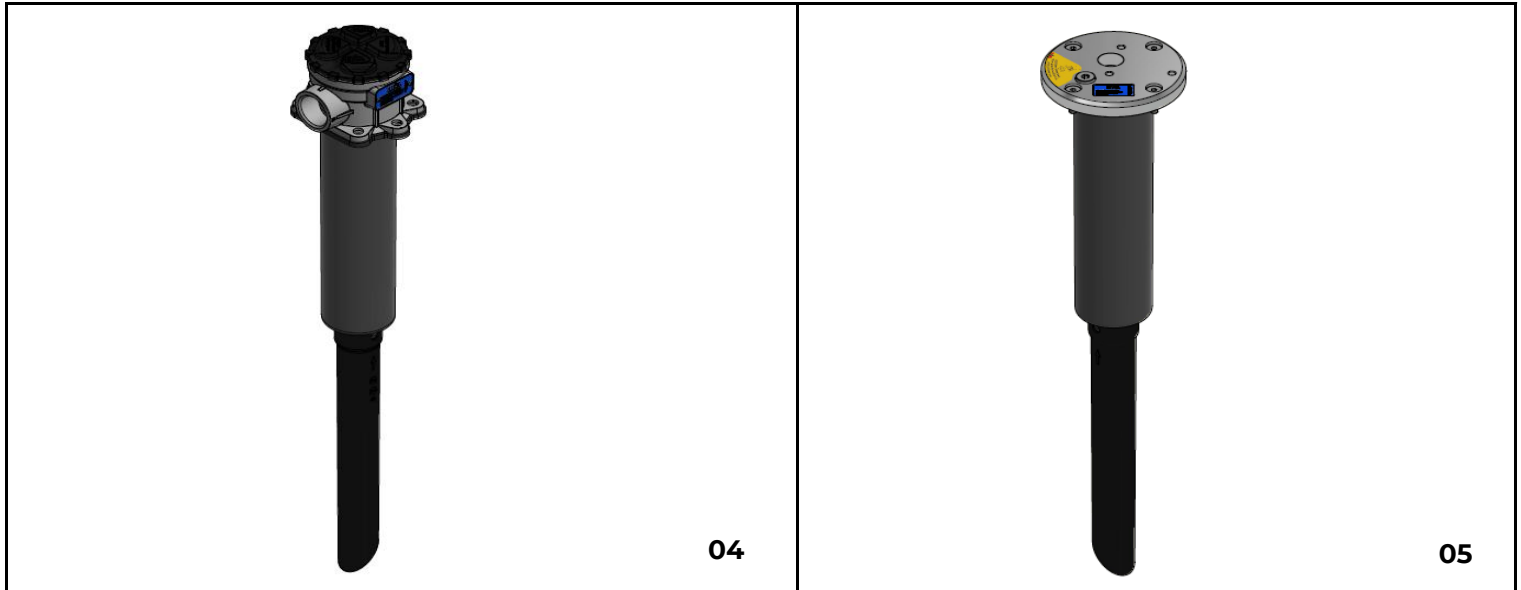


No.	Part no.	Description	Weight [kg]
02	14023401	Aluminum spy eye 1" BSP (with gasket)*	0.03
03	14780981	Ball valve 1 1/2" BSP**	1.2

***Attention!: Spy eye and cover plate are included with tank.**

****For more suction component see LPADAP01.**

Return filters



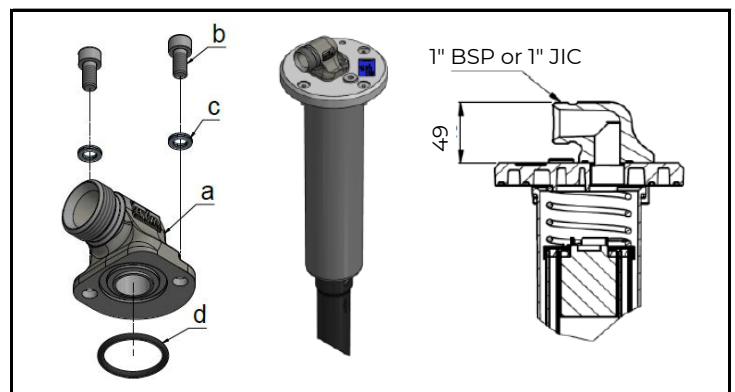
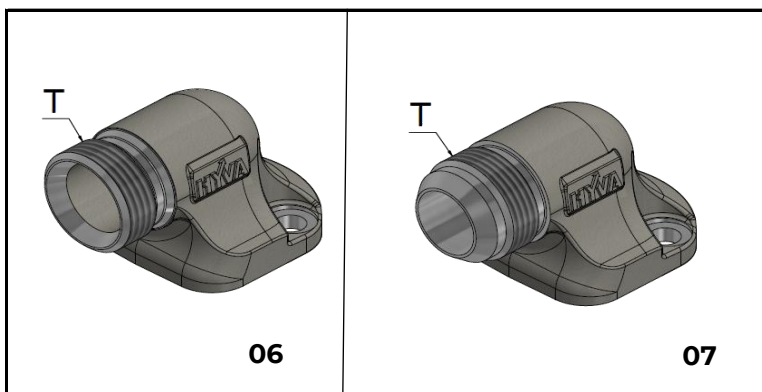
No.	Part no.	Description	Weight [kg]
04	14780353	Return filter housing type 250 L/m	1.4
05	14895925	Return filter plate type 250 L/m*	1.68

*Filter with mounting plate for tipping valve.

Attention! : Return line filters are not included with tank. To be ordered separately.

For Return line filter spec. sheet, see RFILTE02.

Option adaptor for plate filter

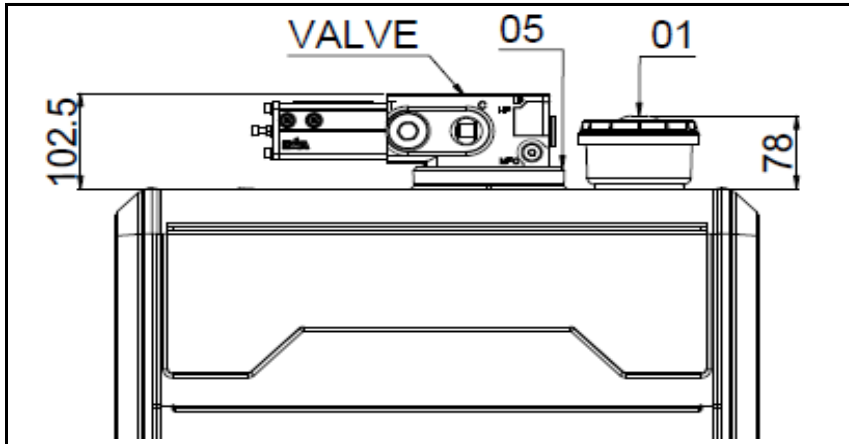


No.	Part no.	Description	Thread size (T)	Qty
06	01317987	Adaptor kit 90 for return filter	1" BSPOTC	1
07	01317988	Adaptor kit 90 for return filter	1" JICOTC	1

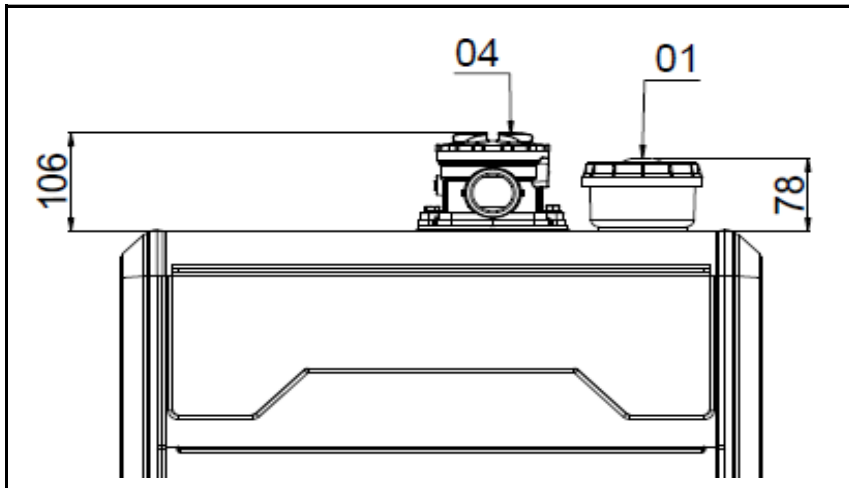
No.	Description	Qty
a	Adaptor-90-elbow-1" BSPOTC Adaptor-90-elbow-1" JICOTC	1
b	Bolt HSHC M8x16x1.25 DIN 912 ZP	2
c	Nord-lock washer M8	2
d	O-Ring 34.60x2.62	1

Note : O-rings, bolts & washers are included with adaptor.

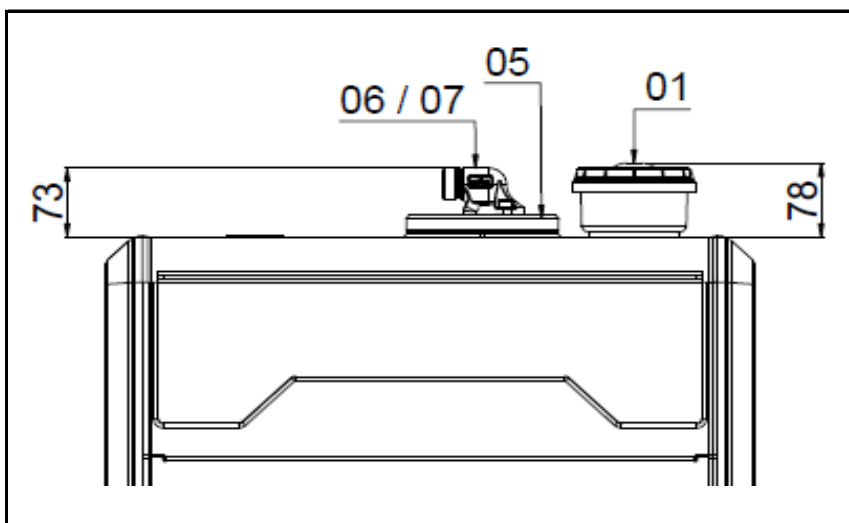
Valve mounting options



Valve mounted on top of tank



Valve mounted on chassis or cylinder (SAE)



Valve mounted on chassis or cylinder with Return line Plate version