

* incl. 20 [-5; +30] mm pull out

3D model is available on request or www.hyva.com

Specifications		Max. pump flow		Tipping time	
Max. working pressure	190 bar	With KO ¹	190 L/min	With KO ¹	36 sec
Weight	288 kg	Without KO ¹	137 L/min	Without KO ¹	49 sec
Working volume	113 L	With KO ¹ below -20°C	133 L/min	With KO ¹ below -20°C	51 sec
Total volume	123 L	Without KO ¹ below -20°C	96 L/min	Without KO ¹ below -20°C	70 sec
Max. cyl. load (start tipping)	245 kN			Allowable lowering time	36 sec
Max. cyl. load (end of stroke) ²	94 kN				
Max. cyl. load (end of stroke) ³	110 kN				

Technical notes

- This cylinder is a lifting device only. • It should not be used as a structural member and should not be subjected to side loads. • Tipping valve must have a pressure relief at the cylinder port set not higher than max. working pressure. • Verify max. cyl. load. • Working temperature range is between -40°C and +80°C. • Max. duration of extension is 0.5 hours (excluded hard chromed stages). • Cylinder is painted black (RAL9005) with a min. thickness conforming to the 480 hours neutral salt spray test as per ISO 9227. • ¹ Hyva knock-off. • ² Unsubstantial unloading (sticky load). • ³ Substantial unloading.

Related documentation

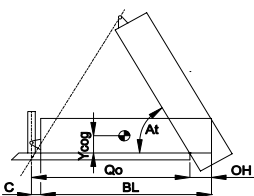
Bracket options:	015BRA10
Mounting instructions:	CYL-0031
Oil specifications:	OIL-0011
Spec sheet explanation:	CYL-0041

Configuration

Extension	1	2	3	4	5	6	7	Total
Effective diameter [mm]	191	169	149	129	110	91		
Stroke* [mm]	1150	1170	1170	1170	1170	1170		7000

Tipping weight

For detailed tipping calculations please refer to: <https://tipper.hyva.com>



BL body length
OH rear overhang
Ycog vert. pos. centre of gravity
Qo pivot length
C bracket length
At tipping angle
stroke x 60 / Qo

BL [mm]	9300			9050			8800		
OH [mm]	200	500	800	200	500	800	200	500	800
At [°]	45	47	48	46	48	50	48	50	52
Ycog [mm]	600			900			1200		
	34	36	39	35	37	40	35	38	41
	36	39	42	37	40	44	38	41	45
	38	41	46	39	43	48	41	45	50

Tipping weight [ton] at maximum pressure of 190 bar for a vertically mounted cylinder and C is 158 mm

Pos.	Part no.	Description	Qty.
C01	71839250	DUST RING FL2 191	1
P01	74462371	PISTON FL3 S 091-1365-HC	1
P02	71853091K	SLIDER FL 091 (2 X 1/2) A22	1
P03	71851091K	OUTER STOPRING FL 091 A22	1
P04	71822091	BOTTOM PLATE PISTON FL 091	1
P05	01745012K	CIRCLIP 82 DIN 472 (87.5x2.5)	1
P06	71870215K	O-RING PISTON BOTTOM 091	1
P07	71847220	P. EYE SOLID FL3 091 L=075 H=50 WD=80	1
P08	01226430K	O-RING 72.62 X 3.53 MM	1

S51	74603371	STAGE FL2 110-1360-HC	1
S52	71802110K	PACKSET FL 110	1
S53	71853110K	SLIDER FL 110 (2 X 1/2) A22	1
S54	71851110K	OUTER STOPRING FL 110 A22	1
S55	71852110K	LIFTRING FL 110 A22	1

S41	74604371	STAGE FL2 129-1360-HC	1
S42	71802129K	PACKSET FL 129/HP 129	1
S43	71853129K	SLIDER FL 129 (2 X 1/2) A22	1
S44	71851129K	OUTER STOPRING FL 129 A22	1
S45	71852129K	LIFTRING FL 129 A22	1

S31	74605371	STAGE FL2 149-1360-HC	1
S32	71802149K	PACKSET FL 149/HP 150	1
S33	71807151K	SLIDER FL 149 A35	1
S34	71851149K	OUTER STOPRING FL 149 A22	1
S35	71852149K	LIFTRING FL 149 A22	1

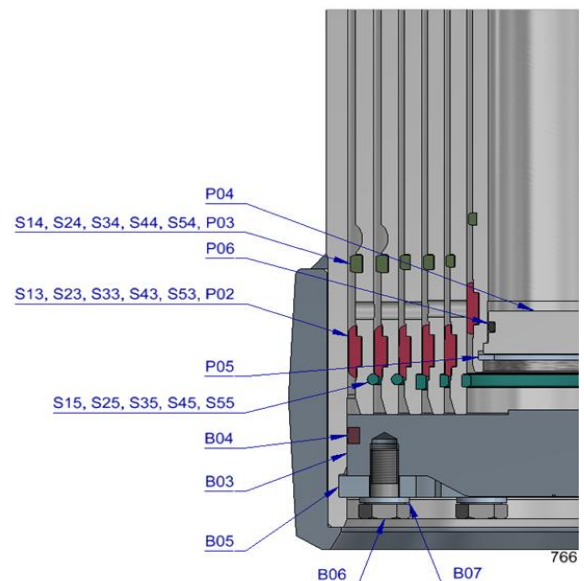
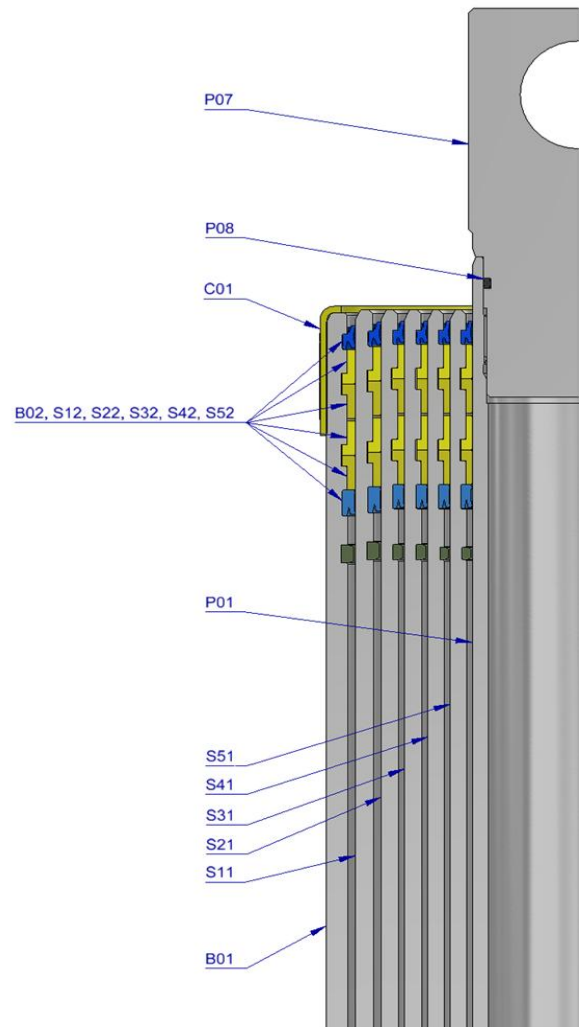
S21	74606371	STAGE FL2 169-1360-HC	1
S22	71802169K	PACKSET FL 169	1
S23	71807171K	SLIDER FL 169 A35	1
S24	71851169K	OUTER STOPRING FL 169 A22	1
S25	71813169K	LIFTRING FL 169x5	1

S11	74607371	STAGE FL2 191-1360-HC	1
S12	71802191K	PACKSET FL 191	1
S13	71807193K	SLIDER FL 191 A35	1
S14	71851191K	OUTER STOPRING FL 191 A22	1
S15	71813191K	LIFTRING FL 191x5	1

B01	74508372	BASE FL2 214-1411-4/4BSAE-190-90	1
B02	71802214K	PACKSET FL 214	1
B03	71825435	BOTTOM PLATE FL2 214	1
B04	71870045K	SEAL BOTTOM PLATE FL 214	1
B05	71820214	LOCKING PLATE FL 214	3
B06	01732020K	BOLT HEX M12X25X1.25 SET 6 PCS	1
B07	01732523K	WASHER SPRING M12 SET 6 PCS	1

Seal kit complete

71908760K	Consists of all packsets with packset grease and O-rings
-----------	--



Notes

The inner stopring and piston bottom are pre-mounted on spare bases, stage and pistons. Therefore, when ordering new tubes, it is not required to order these parts separately.

For repair instructions see: CYL-0040. Serial no. is located on type plate and near type plate support.