

GEORG CYLINDER

F78555KK1



Front end cylinder with eye

type

GFE 172-5-05535-001M-K1563

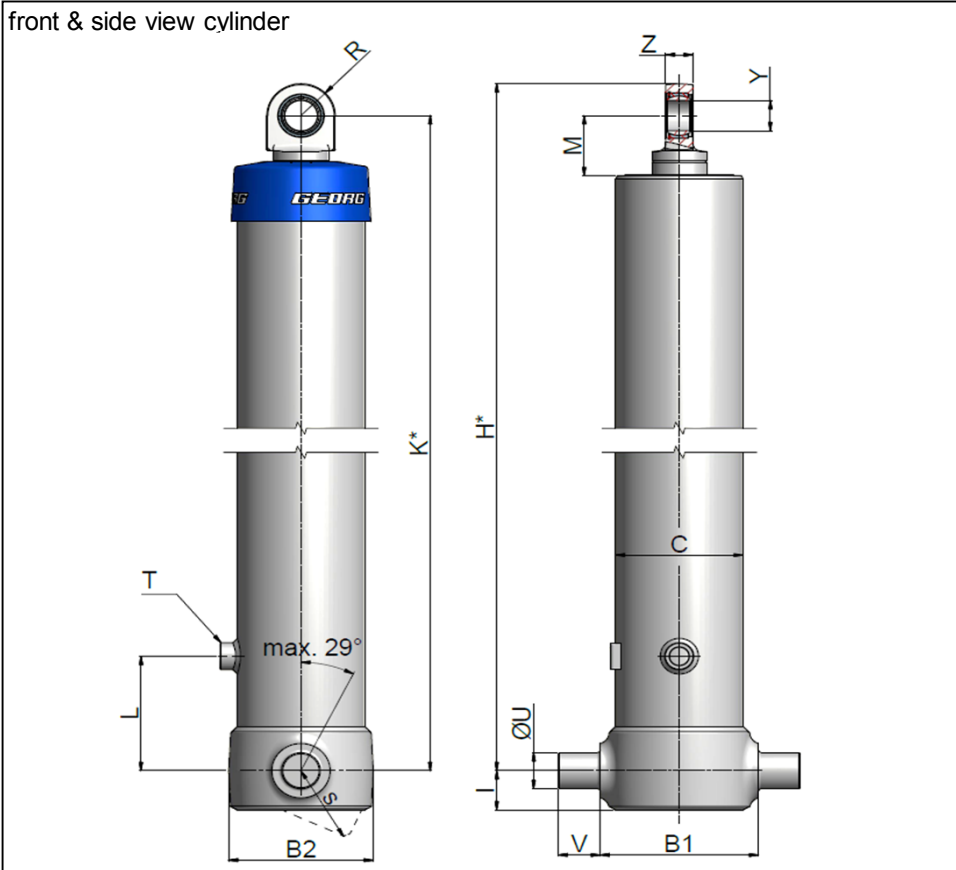
tipping weight

40-76 ton

closed length (K)

1558-1593 mm

front & side view cylinder



	1	2	
A			mm
B	245	224	mm
C	196		mm
D			mm
E			mm
F			mm
G*			mm
H*	1616		mm
I	65		mm
J	107		mm
K*	1563		mm
L	190		mm
M*	135		mm
N			mm
O			mm
P			mm
Q			mm
R	53		mm
S	127		mm
T	G1"		
U	60		mm
V	65		mm
W			mm
X			mm
Y	50		mm
Z	42		mm

*incl.20 [-5;+30] mm pull out on piston

specifications

weight cylinder only	264 kg
total volume	88 L
working volume	81 L
maximum pressure	250 bar
maximum pump flow	119 L/min
maximum cylinder angle to front	30 °
maximum thrust first stage**	35 ton

technical notes

This cylinder is a lifting device only and may not be used as a structural member or be subjected to a side load. Working pressure depends on the application; never exceed maximum pressure. The maximum duration of extension is 2 hours (excluded HC) See mounting instruction CYL-0019 and oil spec. sheet OIL-0002 See bracket specification sheet 015BRA01. Cylinder painted with Akzo Air drying Enamel (RAL9005).

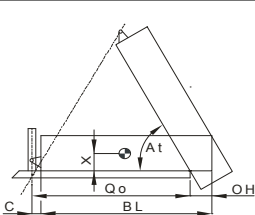
**when the cylinder is mounted at an angle, the thrust on the first stage may become too high: see Hyva Tipper Program

extension	1	2	3	4	5	6	7	8	9	
effective diameter [mm]	172	150	129	110	85					total
stroke [mm]	1190	1210	1210	1210	715					5535

tipping weight

tipping weight at maximum pressure of 250 bar and C is 229 mm

	BL	7200			6950			6700		
OH	200	500	800	200	500	800	200	500	800	
At	46	48	50	48	50	53	50	52	55	
Ycog										
600	40	44	49	41	46	51	43	48	54	
900	44	48	55	45	51	59	47	54	63	
1200	47	54	63	50	57	68	52	61	76	



BL (body length);
OH (rear overhang);
X=Ycog (vert. pos. centre of gravity);
Qo (pivot length);
C (bracket length);
At = stroke x 60 / Qo

Subject to change without notice.

DO-E F78555KK1 / 12-02-13 / RV AA