

# HYVA CYLINDER



715 35 911

Front end cylinder with eye

type

FE 149-5-09530-0011-K2279

tipping weight

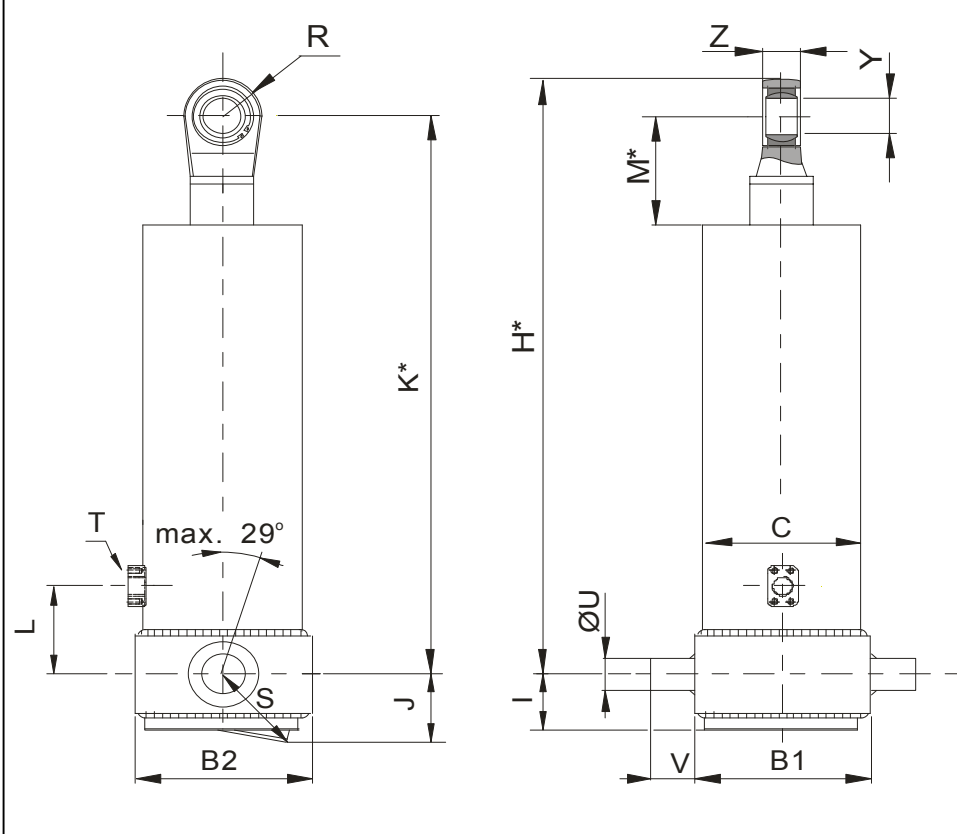
1.7 ton

page # 1 / 2

closed length (K)

2274-2309 mm

front & side view cylinder



	1	2	
A			mm
B	201	201	mm
C	169		mm
D			mm
E			mm
F			mm
G*			mm
H*	2332		mm
I	60		mm
J	96		mm
K*	2279		mm
L	190		mm
M*	100		mm
N			mm
O			mm
P			mm
Q			mm
R	53		mm
S	114		mm
T	1" SAE		
U	60		mm
V	65		mm
W			mm
X			mm
Y	50		mm
Z	42		mm

\*incl.20 [-5;+30] mm pull out on piston

## specifications

weight cylinder only	285 kg
total volume	106 L
working volume	97 L
maximum pressure	40 bar
maximum pump flow	86 L/min
maximum cylinder angle to front	30 °
maximum thrust first stage**	30 ton

\*\*when cyl. mounted at a large angle, thrust first stage may become too high: see Hyva Tipper Program

## technical notes

This cylinder is a lifting device only and may not be used as structural member or be subject to side load. Working pressure depends on application; never exceed maximum pressure stated. Cylinder is painted black (RAL9005). Max duration of extension 0.5 hours (excluded HC). See specification sheet CYL-0019 for mounting instructions, OIL-0011 for oil specifications and 015BRA01 for bracket specifications.

extension	1	2	3	4	5	6	7	8	9	
effective diameter [mm]	149	129	110	91	72					total
stroke [mm]	1890	1910	1910	1910	1910					9530

## tipping weight

tipping weight at maximum pressure of 40 bar and C is 158 mm

	BL	12600			12200			11800		
BL (body length); OH (rear overhang); X=Ycog (vert. pos. centre of gravity); Qo (pivot length); C (bracket length);  At = stroke x 60 / Qo	BL	200	500	800	200	500	800	200	500	800
	OH	45	47	48	47	48	50	49	50	52
	At									
	Ycog									
	600									
	900									
	1200									

# HYVA CYLINDER



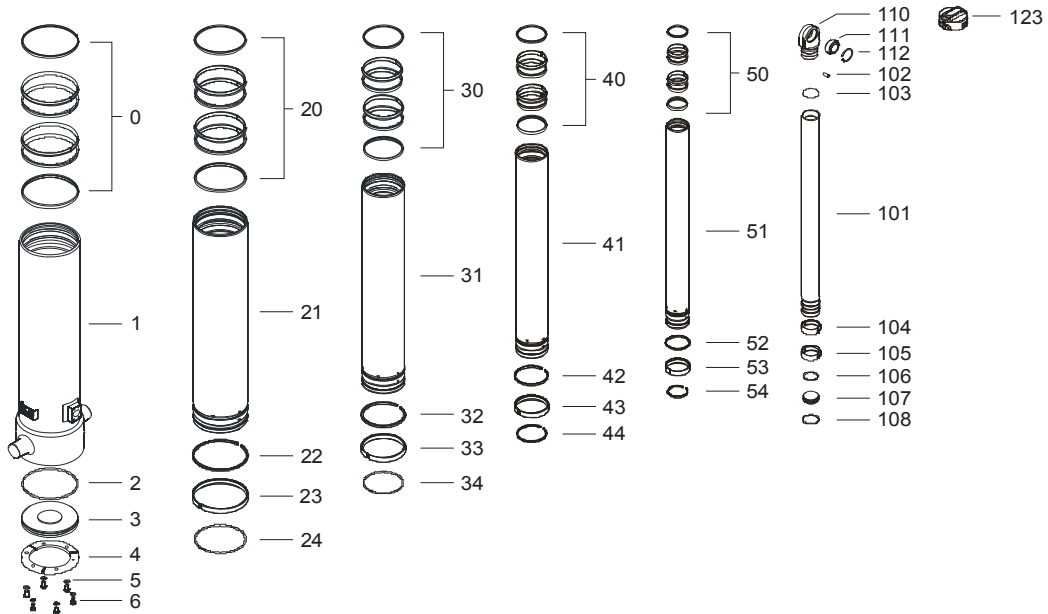
715 35 911

Front end cylinder with eye

type

FE 149-5-09530-0011-K2279

page # 2 / 2



## Spare part list

Pos	Part no.	Description	Qty.
0	71802169 K	PACKSET FL 169	01
1	72506920	BASE 169-2229-4/4SAE-190	01
2	71870035 K	SEAL BOTTOM PLATE 169	01
3	71821169	BOTTOM PLATE 169	01
4	71820169	LOCKING PLATE 169	03
5	01732559 K	SPRING WASHER M8 SET	01
6	01732055 K	BOLT M8 X 1.25 X 20 SET	01
20	71802149 K	PACKSET FL 149/HP 150	01
21	72605921	STAGE 149-2190-HC	01
22	71811149 K	OUTER STOPRING FL 149	01
23	71807149 K	SLIDER FL 149	01
24	71812149 K	LIFTRING FL 149/HP 150	01
30	71802129 K	PACKSET FL 129/HP 129	01
31	72604921	STAGE 129-2190-HC	01
32	71811129 K	OUTER STOPRING FL 129/HP 129 HD	01
33	71807129 K	SLIDER FL 129/GF 129 (2 X 1/2)	01
34	71812129 K	LIFTRING FL 129/HP 129	01
40	71802110 K	PACKSET FL 110	01
41	72603921	STAGE 110-2190-HC	01
42	71811110 K	OUTER STOPRING FL 110/HP 110 HD	01
43	71807110 K	SLIDER FL 110/GF 110 (2 X 1/2)	01
44	71812110 K	LIFTRING FL 110	01

## Seal kit complete:

Part no.	Description
71901550 K	Seal kit complete: consists of all packsets with packset grease, O-rings and Pin (pos.102)

## Spare part list

Pos	Part no.	Description	Qty.
50	71802091 K	PACKSET FL 091	01
51	72602921	STAGE 091-2190-HC	01
52	71811091 K	OUTER STOPRING FL 091/HP 091 HD	01
53	71807091 K	SLIDER FL 091 (2 X 1/2)	01
54	71812091 K	LIFTRING FL 091	01
101	72401921	PISTON S 072-2195-HC	01
102	71875012	PIN ROUND HEAD GROOVED 8x15 mm	02
103	71870110 K	O-RING PISTON TOP 072	01
104	71807072 K	SLIDER FL 072 (2 X 1/2)	01
105	71807072 K	SLIDER FL 072 (2 X 1/2)	01
106	71870210	O-RING PISTON BOTTOM 072	01
107	71822072	BOTTOM PLATE PISTON 072	01
108	01745026	CIRCLIP 63 DIN 472 (67.2x2.0)	01
110	71835072	PISTON EYE SPH. 072 MACHINED+SPH.EY	01
111	71875450	SPHERICAL EYE D.50 MAINT. FREE	01
112	01770560	CIRCLIP GE 50 DO	01
123	71838955	DUST COVER FE 149 YELLOW	01

## Notes:

The inner and outer stoprings are pre-mounted in the grooves on spare stages and pistons. Therefore, when ordering new tubes, it is not required to order stopring separately.