

# HYVA CYLINDER



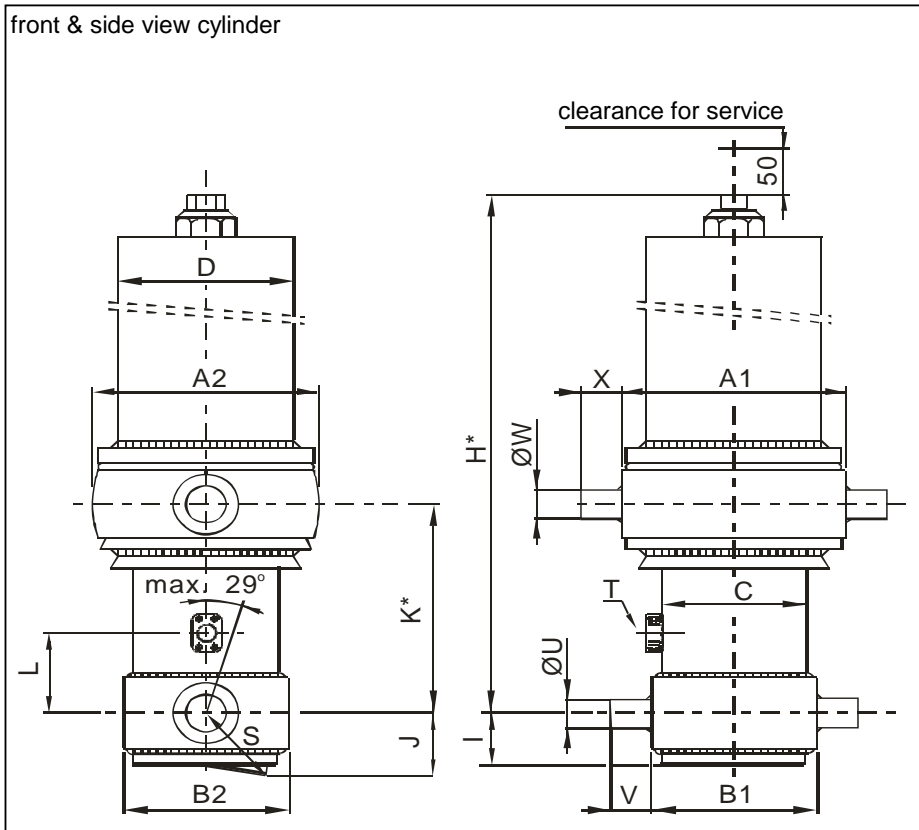
## FS58556KA

Front end cylinder with outer cover

type  
tipping weight  
closed length (K)

GFC 172-5-05630-070M-K0343  
40-79 ton  
338-373 mm

page # 1 / 2



	1	2	
A	340	329	mm
B	245	224	mm
C	196		mm
D	242		mm
E			mm
F			mm
G*			mm
H*	1483		mm
I	65		mm
J	107		mm
K*	343		mm
L	190		mm
M*			mm
N			mm
O			mm
P			mm
Q			mm
R			mm
S	127		mm
T	G1"		
U	60		mm
V	65		mm
W	60		mm
X	65		mm
Y			mm
Z			mm

\*incl.20 [-5;+30] mm pull out on piston

### specifications

weight cylinder only	326 kg
total volume	85 L
working volume	78 L
maximum pressure	250 bar
maximum pump flow	119 L/min
maximum cylinder angle to front	10 °
maximum thrust first stage**	35 ton

\*\*when cyl. mounted at a large angle, thrust first stage may become too high: see Hyva Tipper Program

### technical notes

This cylinder is a lifting device only and may not be used as structural member or be subject to side load. Working pressure depends on application; never exceed maximum pressure stated. Cylinder painted Grey (colour DB7350). Max duration of extension 0.5 hours (excluded HC). See specification sheet CYL-0019 for mounting instructions, OIL-0011 for oil specifications and 015-BRA01 for bracket specifications.

extension	1	2	3	4	5	6	7	8	9	
effective diameter [mm]	172	150	129	110	85					total
stroke [mm]	1110	1130	1130	1130	1130					5630

### tipping weight

tipping weight at maximum pressure of 250 bar and C is 229 mm

	BL	7500			7100			6700		
BL (body length); OH (rear overhang); X=Ycog (vert. pos. centre of gravity); Qo (pivot length); C (bracket length);	OH	200	500	800	200	500	800	200	500	800
At = stroke x 60 / Qo	At	44	46	48	47	49	51	50	52	55
	Ycog									
	600	40	44	48	42	46	52	44	49	56
	900	43	47	53	45	51	58	49	56	66
	1200	46	52	59	50	57	67	54	64	79

Schmitz Id-Nr:

1230320

# HYVA CYLINDER

FS58556KA

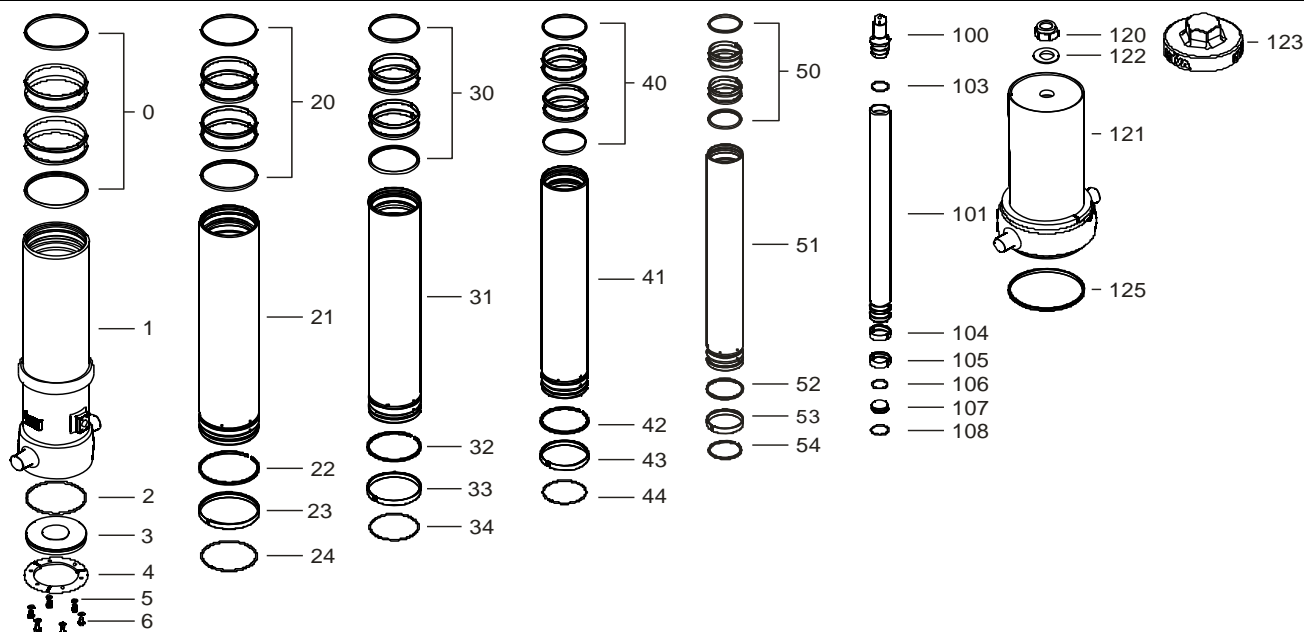


Front end cylinder with outer cover

type

GFC 172-5-05630-070M-K0343

page # 2 / 2



### Spare part list

Pos	Part no.	Description	Qty.
0	75302196 K	PACKSET HP 196	01
1	74987371	BASE GF 196-1403-4/4BSP-190-90	01
2	71870040 K	SEAL BOTTOM PLATE 196	01
3	71821191	BOTTOM PLATE 196	01
4	71820191	LOCKING PLATE 196	03
5	01732559 K	SPRING WASHER M8 SET	01
6	01732055 K	BOLT M8 X 1.25 X 20 SET	01

20	75302172 K	PACKSET HP 172	01
21	74996370	STAGE GF 172-1360 MKI	01
22	75311172 K	OUTER STOPRING HP 172	01
23	75314172 K	SLIDER GF 172	01
24	75310172 K	INNER STOPRING/LIFTRING HP 172	01

30	71802149 K	PACKSET FL 149/HP 150	01
31	74995370	STAGE GF 150-1360 MKI	01
32	75311150 K	OUTER STOPRING HP 150	01
33	75314150 K	SLIDER GF 150	01
34	71810149 K	INNER STOPRING FL 149/HP 150	01

40	71802129 K	PACKSET FL 129/HP 129	01
41	74994370	STAGE GF 129-1360 MKI	01
42	71811129 K	OUTER STOPRING FL 129/HP 129 HD	01
43	71807129 K	SLIDER FL 129/GF 129 (2 X 1/2)	01
44	71810129 K	INNER STOPRING FL 129/HP 129	01

### Seal kit complete:

Part no.	Description
75332650 K	Seal kit complete: consists of all packsets with packset grease and O-rings

### Spare part list

Pos	Part no.	Description	Qty.
50	75302110 K	PACKSET HP 110	01
51	74993370	STAGE GF 110-1360 MKI	01
52	71811110 K	OUTER STOPRING FL 110/HP 110 HD	01
53	71807110 K	SLIDER FL 110/GF 110 (2 X 1/2)	01
54	75310110 K	INNER STOPRING/LIFTRING HP 110	01

100	75330085	PISTON HEAD HP 085	01
101	74972371	PISTON GFS 085-1360-HC MKI	01
103	75372085 K	O-RING PISTON BOTTOM HP 085	01
104	75311085 K	OUTER STOPRING HP 085	01
105	75314085 K	SLIDER GF 085 (2 X 1/2)	01
106	75371085	O-RING PISTON TOP HP 085	01
107	75322085	BOTTOM PLATE PISTON 085	01
108	01770560	CIRCLIP 75 GE 50 DO DIN 472	01

120	01702907	TOPNUT NYLOC M48x3 DIN 985 ZP	01
121	71706424	COVER 242-1165 PIN60	01
122	01702956	WASHER M48 DIN 125B ZP	01
123	75339242	DUST COVER FOR COVER 242 GEORG BLU	01
125	01791941	O-RING COVER D242	01

### Notes:

The inner and outer stoprings are pre-mounted in the grooves on spare stages and pistons. Therefore, when ordering new tubes, it is not required to order stopring separately.