

* incl. 20 [-5; +30] mm pull out

3D model is available on request or www.hyva.com

Specifications		Max. pump flow		Tipping time	
Max. working pressure	220 bar	With KO ¹	190 L/min	With KO ¹	46 sec
Weight	338 kg	Without KO ¹	170 L/min	Without KO ¹	52 sec
Working volume	146 L	With KO ¹ below -20°C	133 L/min	With KO ¹ below -20°C	66 sec
Total volume	157 L	Without KO ¹ below -20°C	119 L/min	Without KO ¹ below -20°C	74 sec
Max. cyl. load (start tipping)	440 kN			Allowable lowering time	46 sec
Max. cyl. load (end of stroke) ²	245 kN				
Max. cyl. load (end of stroke) ³	286 kN				

Technical notes

- This cylinder is a lifting device only.
- It should not be used as a structural member and should not be subjected to side loads.
- Tipping valve must have a pressure relief at the cylinder port set not higher than max. working pressure.
- Verify max. cyl. load.
- Working temperature range is between -40°C and +80°C.
- Max. duration of extension is 0.5 hours (excluded hard chromed stages).
- Cylinder is painted black (RAL9005) with a min. thickness conforming to the 480 hours neutral salt spray test as per ISO 9227.
- ¹ Hyva knock-off.
- ² Unsubstantial unloading (sticky load).
- ³ Substantial unloading.

Related documentation

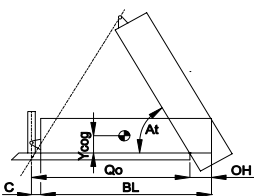
Bracket options:	015BRA10 & 015BRA13
Mounting instructions:	CYL-0031
Oil specifications:	OIL-0011
Spec sheet explanation:	CYL-0041

Configuration

Extension	1	2	3	4	5	6	7	Total
Effective diameter [mm]	214	191	169	149	129			6230
Stroke* [mm]	1230	1250	1250	1250	1250			

Tipping weight

For detailed tipping calculations please refer to: <https://tipper.hyva.com>



BL body length
OH rear overhang
Ycog vert. pos. centre of gravity
Qo pivot length
C bracket length
At tipping angle
stroke x 60 / Qo

BL [mm]	200	8200		200	7850		200	7500	
OH [mm]	46	500	800	48	500	800	50	500	800
At [°]	46	48	50	48	50	52	50	53	55
Ycog [mm]	79	85	93	82	88	97	85	93	104
C	79	85	93	82	88	97	85	93	104
At	84	92	101	88	97		92		
	90								

Tipping weight [ton] at maximum pressure of 220 bar for a vertically mounted cylinder and C is 158 mm

Pos.	Part no.	Description	Qty.
C01	71839150	DUST COVER FE 202-5/214-5	1
P01	74464441	PISTON FL3 S 129-1445-HC	1
P02	71853129K	SLIDER FL 129 (2 X 1/2) A22	1
P03	71851129K	OUTER STOPRING FL 129 A22	1
P04	71822129	BOTTOM PLATE PISTON FL 129	1
P05	01745052K	CIRCLIP 120 DIN 472 (127.0x4.0)	1
P06	71870225K	O-RING PISTON BOTTOM 129	1
P07	71847400	PISTON EYE SPH. FL3 129 L=075 B=60	1
P08	71870125K	O-RING 110.72 X 3.53 MM	1
P09	71875460K	SPHERICAL BEARING D.60.3 MAINT. FREE	1
P10	01770580K	CIRCLIP 90 DIN 472 (95.5x3.5)	1
P11	71875012	PIN ROUND HEAD GROOVED 8x15 mm	2

S41	74605441	STAGE FL2 149-1440-HC	1
S42	71802149K	PACKSET FL 149/HP 150	1
S43	71807151K	SLIDER FL 149 A35	1
S44	71851149K	OUTER STOPRING FL 149 A22	1
S45	71852149K	LIFTRING FL 149 A22	1

S31	74606441	STAGE FL2 169-1440-HC	1
S32	71802169K	PACKSET FL 169	1
S33	71807171K	SLIDER FL 169 A35	1
S34	71851169K	OUTER STOPRING FL 169 A22	1
S35	71813169K	LIFTRING FL 169x5	1

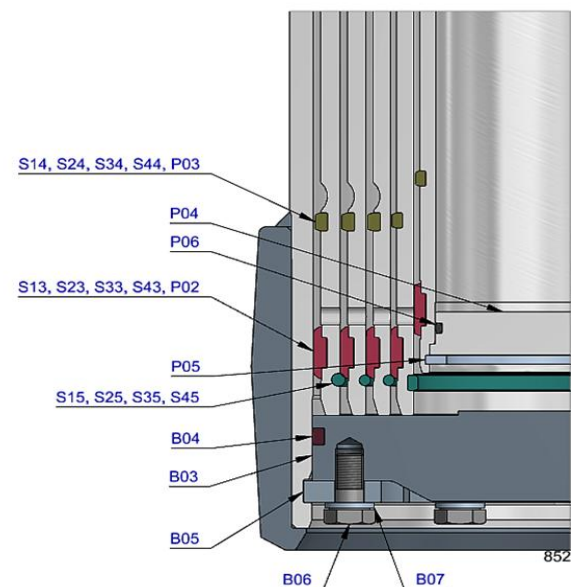
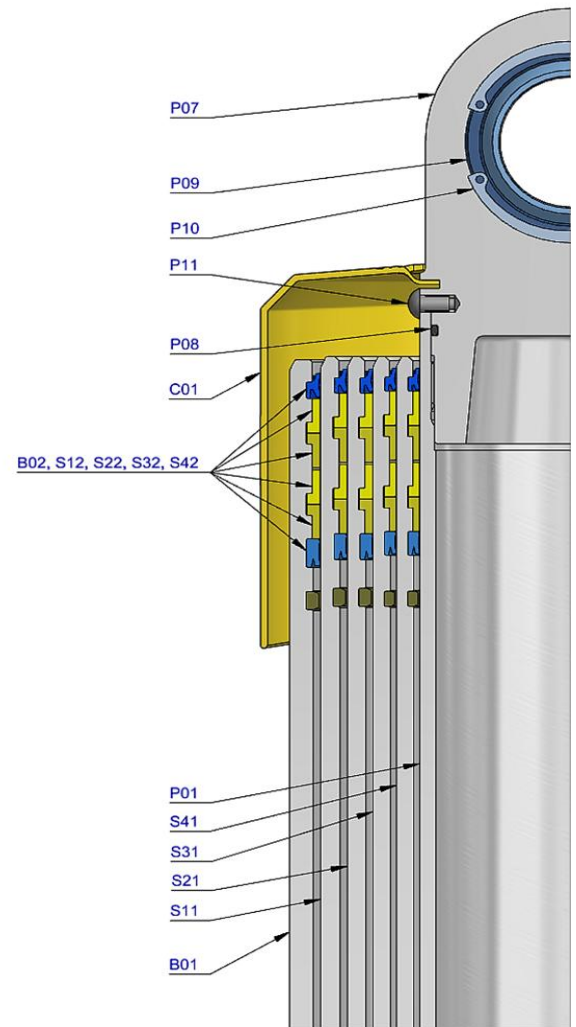
S21	74607441	STAGE FL2 191-1440-HC	1
S22	71802191K	PACKSET FL 191	1
S23	71807193K	SLIDER FL 191 A35	1
S24	71851191K	OUTER STOPRING FL 191 A22	1
S25	71813191K	LIFTRING FL 191x5	1

S11	74608441	STAGE FL2 214-1440-HC	1
S12	71802214K	PACKSET FL 214	1
S13	71807216K	SLIDER FL 214 A35	1
S14	71851214K	OUTER STOPRING FL 214 A22	1
S15	71813214K	LIFTRING FL 214x6	1

B01	74509447	BASE FL2 238-1491-4/4BSAE-390	1
B02	71802238K	PACKSET FL 238	1
B03	71825440	BOTTOM PLATE FL2 238	1
B04	71870050K	SEAL BOTTOM PLATE FL 238	1
B05	71820238	LOCKING PLATE FL 238	3
B06	01732020K	BOLT HEX M12X25X1.25 SET 6 PCS	1
B07	01732523K	WASHER SPRING M12 SET 6 PCS	1

Seal kit complete

71908850K	Consists of all packsets with packset grease and O-rings
-----------	--



Notes

The inner stopring and piston bottom are pre-mounted on spare bases, stage and pistons. Therefore, when ordering new tubes, it is not required to order these parts separately.

For repair instructions see: CYL-0040. Serial no. is located on type plate and near type plate support.