

HYVA CYLINDER

714 37 989



type: UME 191-8-3980-K216-60-3/4"-HC

tipping weight: 7-16 ton

page # 1 / 1

Stage diameters	front view cylinder	
191		A 245
169		ØC 215
149		G¹ 722
129		I 479
110		K¹ 216
91		H¹ 52
72		N 27
72		ØP 50
53		ØY 30.5
		S 491
		ØW 60
		X 45

¹including 20 mm pull-out [tol. -5; +30 mm]

²cylinder is delivered including oil inlet swivel adapter

specifications

total stroke ¹	3980 mm
dry weight cylinder only	159 kg
total volume	56.0 L
working volume	51.7 L
maximum pressure	220 bar
maximum pump flow	33 l/min
maximum allowable thrust first stage ³	13.0 ton
oil inlet	3/4" BSP

technical notes

This cylinder is a lifting device only and may not be used as a structural member or be subjected to side load. Sideload and/or poor alignment might result in cylinder leakage.

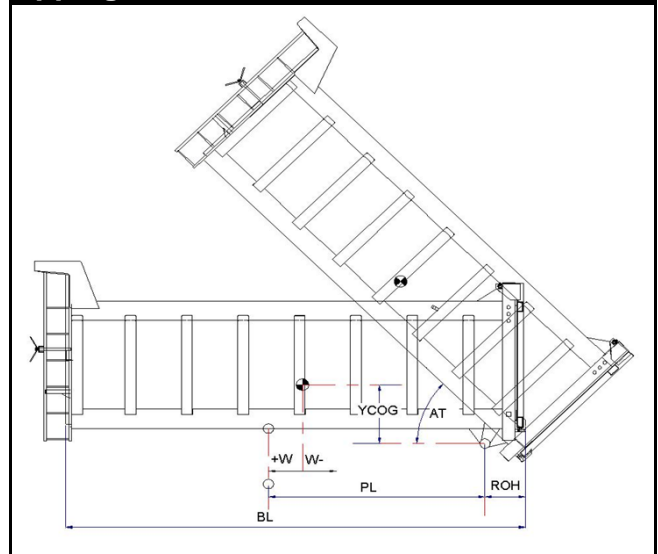
Hyva therefore strongly recommends the use of a cradle, even in instances where the cylinder only tips to the rear or to the side. The cylinder is painted black RAL9005.

For suitable hydraulic oils, please refer to data sheet OIL-0011. For details of available brackets and cradles, please refer data sheet 015BRA06.

Detailed calculations can be made using the HYVA Tipper Program, freely available from tipper.hyva.com.

³The cylinder thrust on the first stage (from the HYVA Tipper Program) must not exceed the maximum allowable (see specifications above).

tipping view



tipping weight

AT	46	deg	52
PL	5190	mm	4590
YCOG	700	mm	700
ROH	700	mm	700
BL	11780	mm	10580
	10710	mm	9620
	9820	mm	8820
CYL w.r.t. COG (W)	0	mm	0
	540	mm	480
	980	mm	880
Tipping weight for full stroke of 46°			
Tipping weight for full stroke of 52°			
Tipping weight	7	ton	8
	8	ton	9
	9	ton	10
Tipping weight for second last stage, up to 40°			
Tipping weight for 2nd last stage, up to 46°			
Tipping weight	12	ton	13
	14	ton	15
	16	ton	16

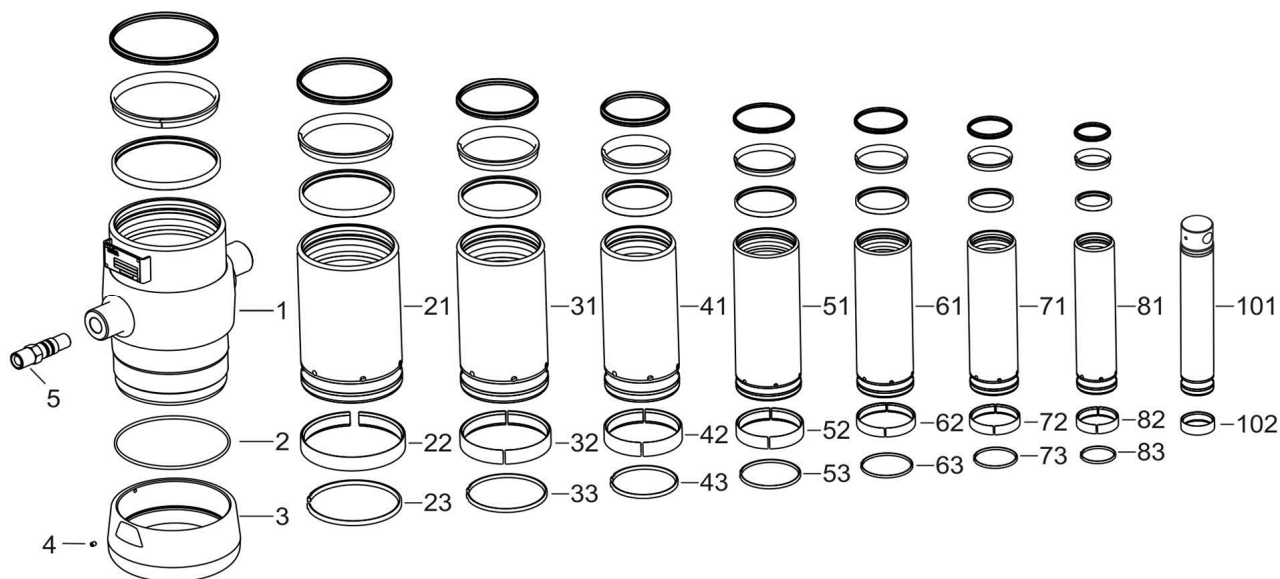
HYVA CYLINDER

714 37 989

type

UME 191-8-3980-K216-60-3/4~HC

page # 2 / 2



Spare part list

Pos	Part no.	Description	Qty.
1	73508750	BASE 214-0612-N0164	1
2	01226840	O-RING 208 X 4 70 SHORE	1
3	73101060	THREADED BOTTOM UM 214	1
4	01792571	LOCKING SCREW M6X12 INT. HEX. DIN 916	1
5	73103002	OIL INLET ADAPTOR UM 3/4"OT+O-RING	1
21	73607751	STAGE 191-0612-HC	1
22	71807191 K	SLIDER FL 191	1
23	71813191 K	LIFTRING FL 191x5	1
31	73606751	STAGE 169-0612-HC	1
32	71807169 K	SLIDER FL 169	1
33	71813169 K	LIFTRING FL 169x5	1
41	73605751	STAGE 149-0612-HC	1
42	71807149 K	SLIDER FL 149	1
43	71812149 K	LIFTRING FL 149/HP 150	1
51	73604751	STAGE 129-0612-HC	1
52	71807129 K	SLIDER FL 129/GF 129 (2 X 1/2)	1
53	71812129 K	LIFTRING FL 129/HP 129	1

Spare part list

Pos	Part no.	Description	Qty.
61	73603751	STAGE 110-0612-HC	1
62	71807110 K	SLIDER FL 110/GF 110 (2 X 1/2)	1
63	71812110 K	LIFTRING FL 110	1
71	73602751	STAGE 091-0612-HC	1
72	71807091 K	SLIDER FL 091 (2 X 1/2)	1
73	71812091 K	LIFTRING FL 091	1
81	73601801	STAGE 072-0612-HC	1
82	71807072 K	SLIDER FL 072 (2 X 1/2)	1
83	71810072 K	INNER STOPRING/LIFTRING FL 072	1
101	73430801	PISTON E 053-0644-HC	1
102	71807053 K	SLIDER FL 053 (2 X 1/2)	1

Seal kit complete

Part no.	Description
719 04 781K	Complete packset: Consists of all packsets with packset grease and o-ring.