

# HYVA CYLINDER

714 06 637



type: UMB 169-3-2230-K265-50-3/4"-HC

tipping weight: 25-32 ton

page # 1 / 2

Stage diameters <b>169</b> <b>149</b> <b>129</b>	front view cylinder		<table border="1"> <tr><td>A</td><td>230</td></tr> <tr><td>ØC</td><td>192</td></tr> <tr><td>G¹</td><td>996</td></tr> <tr><td>I</td><td>731</td></tr> <tr><td>K¹</td><td>265</td></tr> <tr><td>M¹</td><td>106</td></tr> <tr><td>ØP</td><td>110</td></tr> <tr><td>ØQ</td><td>75</td></tr> <tr><td>S</td><td>737</td></tr> <tr><td>ØW</td><td>50</td></tr> <tr><td>X</td><td>45</td></tr> </table>	A	230	ØC	192	G¹	996	I	731	K¹	265	M¹	106	ØP	110	ØQ	75	S	737	ØW	50	X	45
A	230																								
ØC	192																								
G¹	996																								
I	731																								
K¹	265																								
M¹	106																								
ØP	110																								
ØQ	75																								
S	737																								
ØW	50																								
X	45																								

<sup>1</sup>including 20 mm pull-out [tol. -5; +30 mm]

<sup>2</sup>cylinder is delivered including oil inlet swivel adapter and cup

## specifications

total stroke <sup>1</sup>	2230 mm
dry weight cylinder only	127 kg
total volume	42.3 L
working volume	39.4 L
maximum pressure	220 bar
maximum pump flow	150 l/min
maximum allowable thrust first stage <sup>3</sup>	25.0 ton
oil inlet	3/4" BSP

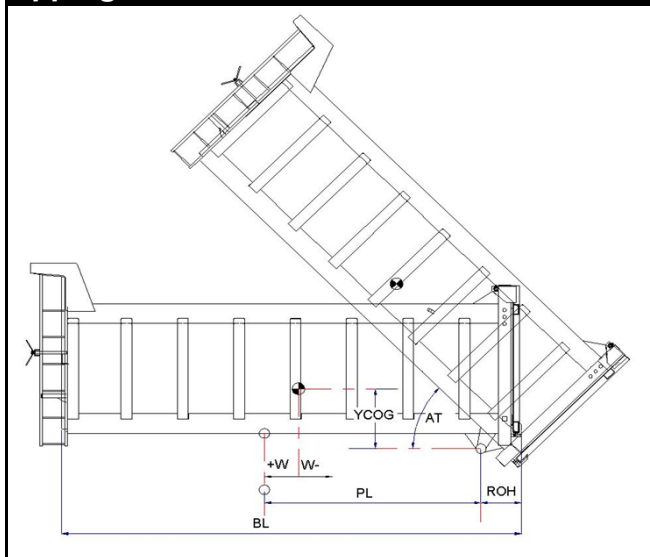
## technical notes

This cylinder is a lifting device only and may not be used as a structural member or be subjected to side load. Sideload and/or poor alignment might result in cylinder leakage. Hyva therefore strongly recommends the use of a cradle, even in instances where the cylinder only tips to the rear or to the side. The cylinder is painted black RAL9005. For suitable hydraulic oils, please refer to data sheet OIL-0011. For details of available brackets and cradles, please refer data sheet 015BRA06.

Detailed calculations can be made using the HYVA Tipper Program, freely available from [tipper.hyva.com](http://tipper.hyva.com).

<sup>3</sup>The cylinder thrust on the first stage (from the HYVA Tipper Program) must not exceed the maximum allowable (see specifications above).

## tipping view



## tipping weight

PL	2910	mm	2570				
YCOG	700	mm	700				
ROH	700	mm	700				
BL	7220	6560	6020	mm	6540	5950	5450
CYL w.r.t. COG (W)	0	330	600	mm	0	300	550
	Tipping weight for full stroke of 46°			Tipping weight for full stroke of 52°			
Tipping weight	25	28	32	ton	25	28	32
	Tipping weight for second last stage, up to 31°			Tipping weight for 2nd last stage, up to 35°			
Tipping weight	0	0	0	ton	0	0	0

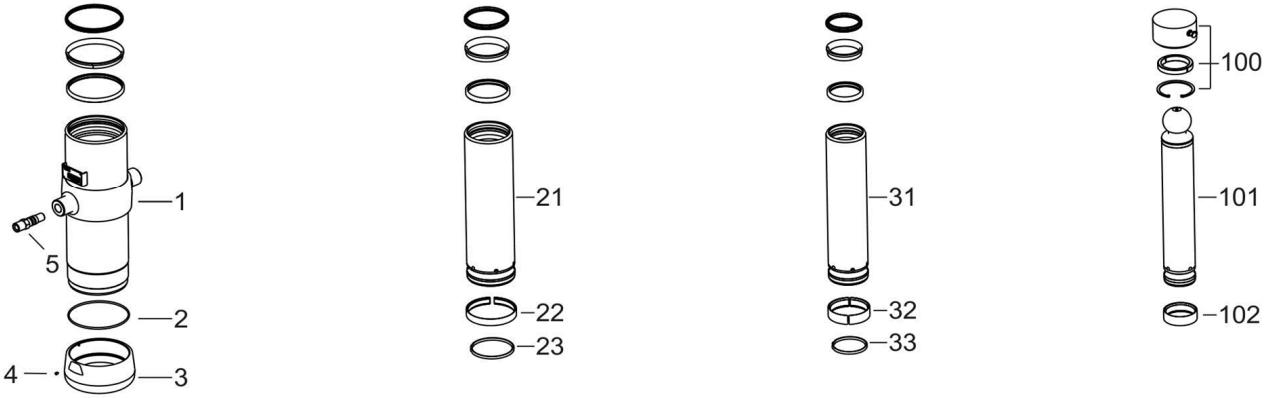
# HYVA CYLINDER

714 06 637

type

UMB 169-3-2230-K265-50-3/4"-HC

page # 2 / 2



## Spare part list

Pos	Part no.	Description	Qty.
1	73507950	BASE 191-0862-N0159	1
2	01226780	O-RING 184 X 4 70 SHORE	1
3	73101050	THREADED BOTTOM UM 191	1
4	01792571	LOCKING SCREW M6X12 INT. HEX. DIN 916	1
5	73103002	OIL INLET ADAPTOR UM 3/4"OT+O-RING	1
21	73606951	STAGE 169-0862-HC	1
22	71807169 K	SLIDER FL 169	1
23	71813169 K	LIFTRING FL 169x5	1
31	73605951	STAGE 149-0862-HC	1
32	71807149 K	SLIDER FL 149	1
33	71812149 K	LIFTRING FL 149/HP 150	1

## Spare part list

Pos	Part no.	Description	Qty.
100	01745103	RETAINER KIT UMB D.75	1
101	73404951	PISTON B 129-904-HC	1
102	71807129 K	SLIDER FL 129/GF 129 (2 X 1/2)	1

## Seal kit complete

Part no.	Description
719 04 631K	Complete packset: Consists of all packsets with packset grease and o-ring.