

HYVA CYLINDER



715 07 504

Front end cylinder with outer cover

type

FC 191-5-06180-014A-K1035

tipping weight

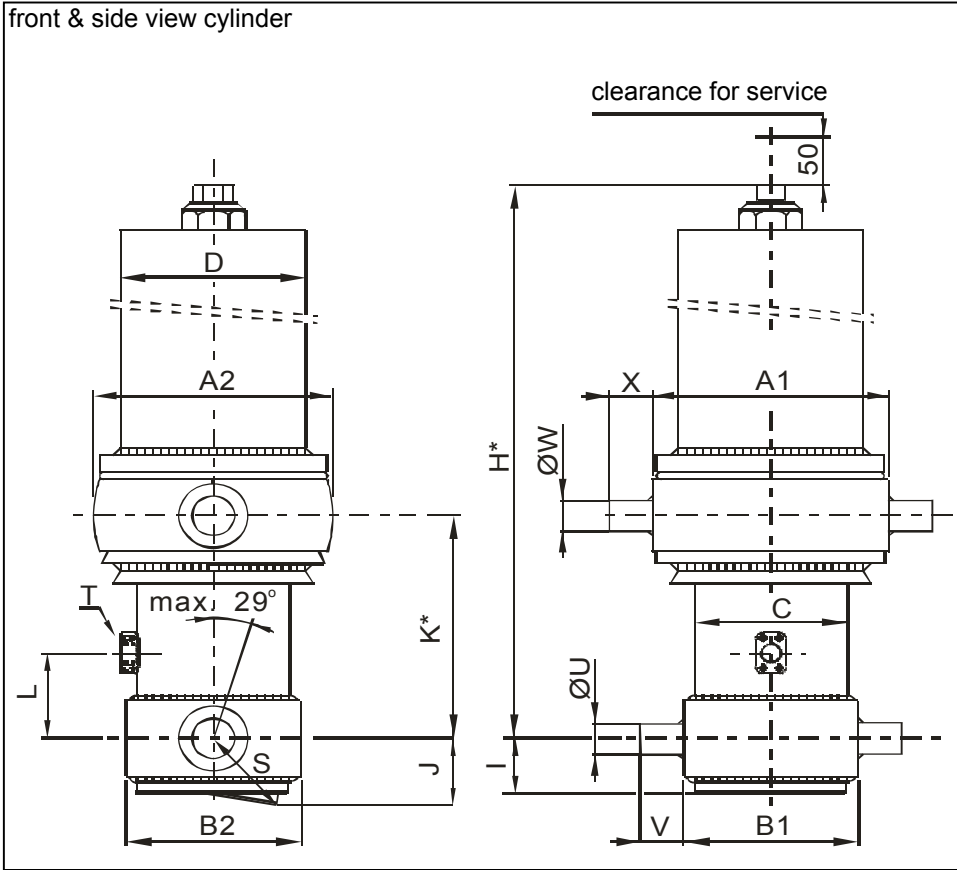
50-87 ton

page # 1 / 2

closed length (K)

1030-1065 mm

front & side view cylinder



	1	2	
A	360	362	mm
B	245	248	mm
C	214		mm
D	273		mm
E			mm
F			mm
G*			mm
H*	1562		mm
I	70		mm
J	116		mm
K*	1035		mm
L	290		mm
M*			mm
N			mm
O			mm
P			mm
Q			mm
R			mm
S	139		mm
T	1" SAE		
U	60		mm
V	65		mm
W	60		mm
X	65		mm
Y			mm
Z			mm

*incl.20[-5;30] pull out on piston

specifications

weight cylinder only	350 kg
total volume	122 L
working volume	113 L
maximum pressure	190 bar
maximum pump flow	190 L/min
maximum cylinder angle to front	20 °
maximum thrust first stage**	40 ton

**when cyl. mounted at a large angle, thrust first stage may become too high: see Hyva Tipper Program

technical notes

This cylinder is a lifting device only and may not be used as structural member or be subject to side load. Working pressure depends on application; never exceed maximum pressure. Cylinder painted with Akzo Air drying Enamel (RAL9005). Max duration of extension 2 hours (excluded HC). See mounting instruction CYL-0019. See oil specification sheet OIL-0002. See bracket specification sheet 015BRA01.

extension	1	2	3	4	5	6	7	8	9	
effective diameter [mm]	191	169	149	129	110					total
stroke [mm]	1220	1240	1240	1240	1240					6180

tipping weight

tipping weight at maximum pressure of 190 bar and C is 229 mm

BL (body length); OH (rear overhang); X=Ycog (vert. pos. centre of gravity); Qo (pivot length); C (bracket length); At = stroke x 60 / Qo	BL	8200			7800			7400		
	OH	200	500	800	200	500	800	200	500	800
At	45	46	48	47	49	51	50	52	55	
Ycog	600	50	54	58	52	56	62	54	59	66
	900	53	58	64	56	61	69	59	66	75
	1200	57	63	70	60	67	77	65	74	87

Subject to change without notice.

DO-E 71507504 / 06-02-08 / RV AB

HYVA CYLINDER

715 07 504

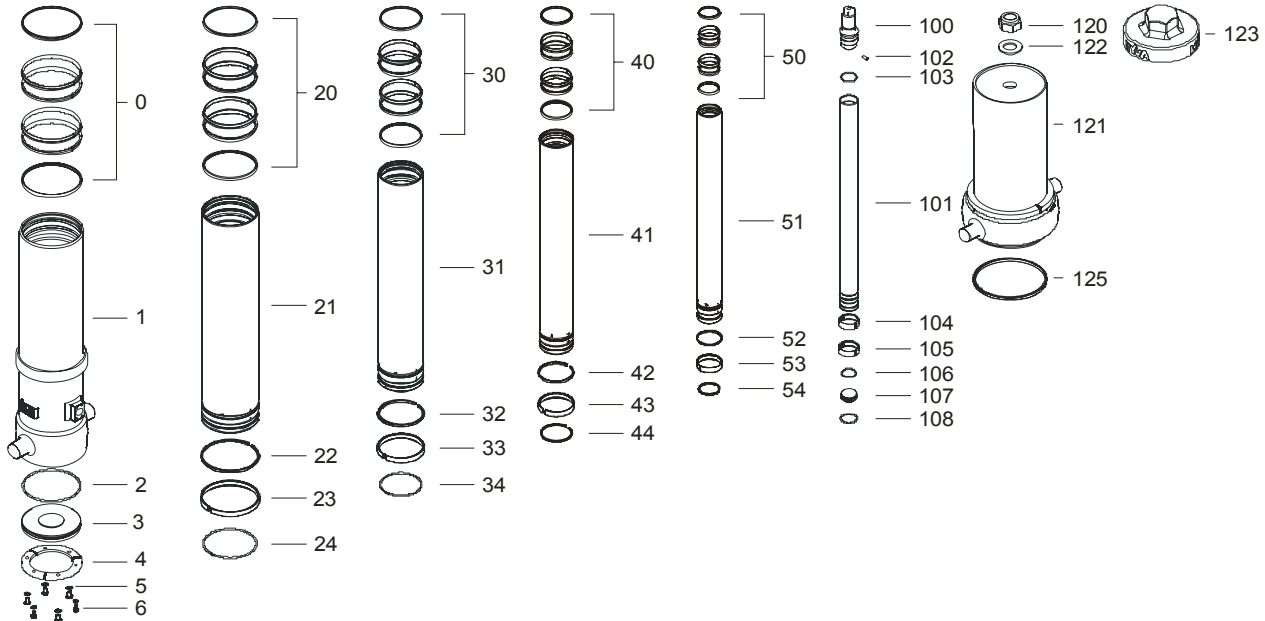


Front end cylinder with outer cover

type

FC 191-5-06180-014A-K1035

page # 2 / 2



Spare part list

Pos	Part no.	Description	Qty.
0	71802214 K	PACKSET 214	01
1	72508442R0445	BASE 214-1487-4/4SAE-290-C273	01
2	71870045 K	SEAL BOTTOM PLATE 214	01
3	71821214	BOTTOM PLATE 214	01
4	71820214	LOCKING PLATE 214	03
5	01732523 K	SPRING WASHER M12 SET	01
6	01732020 K	BOLT M12 X 1.25 X 20 SET	01

20	71802191 K	PACKSET 191	01
21	72607440	STAGE 191-1440	01
22	71811191 K	OUTER STOPRING 191	01
23	71807191 K	SLIDER 191	01
24	71813191 K	LIFTRING 191	01

30	71802169 K	PACKSET 169	01
31	72606440	STAGE 169-1440	01
32	71811169 K	OUTER STOPRING 169	01
33	71807169 K	SLIDER 169	01
34	71813169 K	LIFTRING 169	01

40	71802149 K	PACKSET 149	01
41	72605440	STAGE 149-1440	01
42	71811149 K	OUTER STOPRING 149	01
43	71807149 K	SLIDER 149	01
44	71812149 K	LIFTRING 149	01

Spare part list

Pos	Part no.	Description	Qty.
50	71802129 K	PACKSET 129	01
51	72604440	STAGE 129-1440	01
52		NOT APPLICABLE	00
53	71807129 K	SLIDER 129 (2 X 1/2)	02
54	71812129 K	LIFTRING 129	01

100	71831110	PISTON HEAD 110 MACHINED	01
101	72403441	PISTON S 110-1445-HC	01
102	71875010	PIN ROUND HEAD GROOVED 6x15 mm	01
103	71870120 K	O-RING PISTON TOP 110	01
104	71807110 K	SLIDER 110 (2 X 1/2)	01
105	71807110 K	SLIDER 110 (2 X 1/2)	01
106	71870220	O-RING PISTON BOTTOM 110	01
107	71822110	BOTTOM PLATE PISTON 110	01
108	71814110	SNAPRING FOR PISTON 110	01

120	01702907	TOPNUT M48x3	01
121	71707125	COVER 273-0545	01
122	01702956	WASHER M48	01
123	01702971	DUST COVER FOR COVER 273 YELLOW CO	01
125	01791953	O-RING COVER D273	01

Seal kit complete:

Part no.	Description
71901750 K	Seal kit complete: consists of all packsets with packset grease and O-rings