

# HYVA GEAR PUMPS



Hyva

gear pump type :

gear pump 27L-4H-R

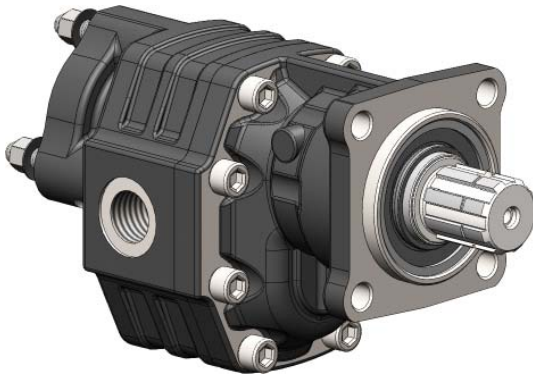
Page 1 / 1

part number :

145 70 731

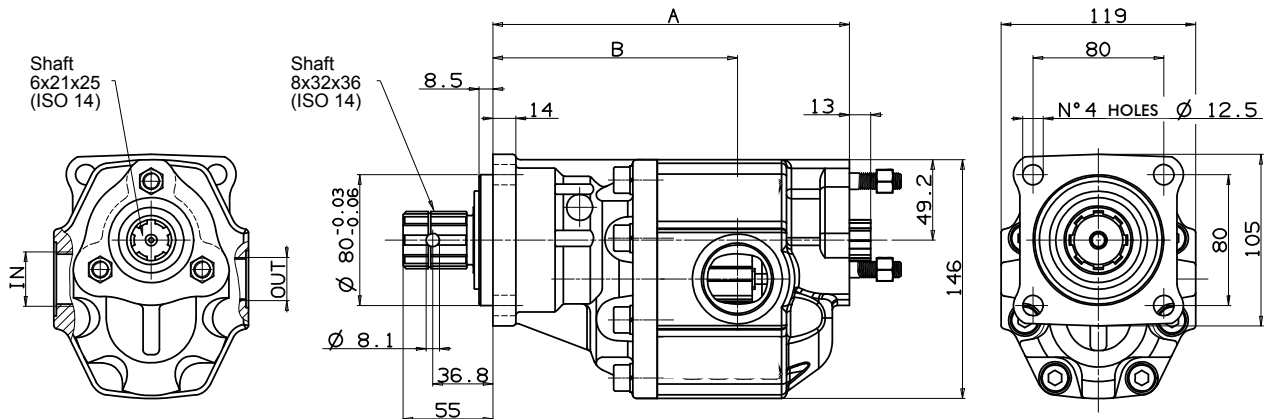
rotation :

right



Fluid	Mineral or synthetic compatible with the following seals: NBR, FKM, FPM, Nylon				
Kinematic viscosity suggested	Average ambient temp. (°C)	< -10	-10÷10	10÷35	> 35
	VG (cSt = mm²/s)	22	32	46	68
Optimale kinematic viscosity			VG= 10 cSt + 100 cSt		
Max kinematic viscosity suggested at the start-up			VG= 750 cSt		
Viscosity index suggested	VI > 100	Working temperature		-15°C + 100°C	
Oil filtering	> 200 bar: 10 µm < 200 bar: 25 µm				
Inlet pressure	-0,3 ÷ 2 bar				
Pump rotation	Unidirectional				
Verify that pump is, at least, 100 mm under the minimum level of the tank. Before starting the pump bleed the air.					

## Dimensions in mm



DISPLACEMENT	PRESSURE			MAX. CONTINUOUS SPEED	MAX. INTERMITTENT SPEED	MIN. SPEED	IN ISO 228	OUT ISO 228
	P1	P2	P3					
26,18 cm³/rev	290 bar	315 bar	325 bar	2500 rpm	3000 rpm	300 rpm	G 1/2	G 1/2

P1 = Max. continuous pressure (100%)  
 P2 = Max. Intermittent pressure (20 sec.max.)  
 P3 = Max. peak pressure (6 sec.max.)

A	B	WEIGHT
186 mm	124 mm	11,5 Kg

