

HYVA CYLINDER



715 06 396

Front end cylinder with outer cover

type

FC 169-4-05180-004A-K0900

tipping weight

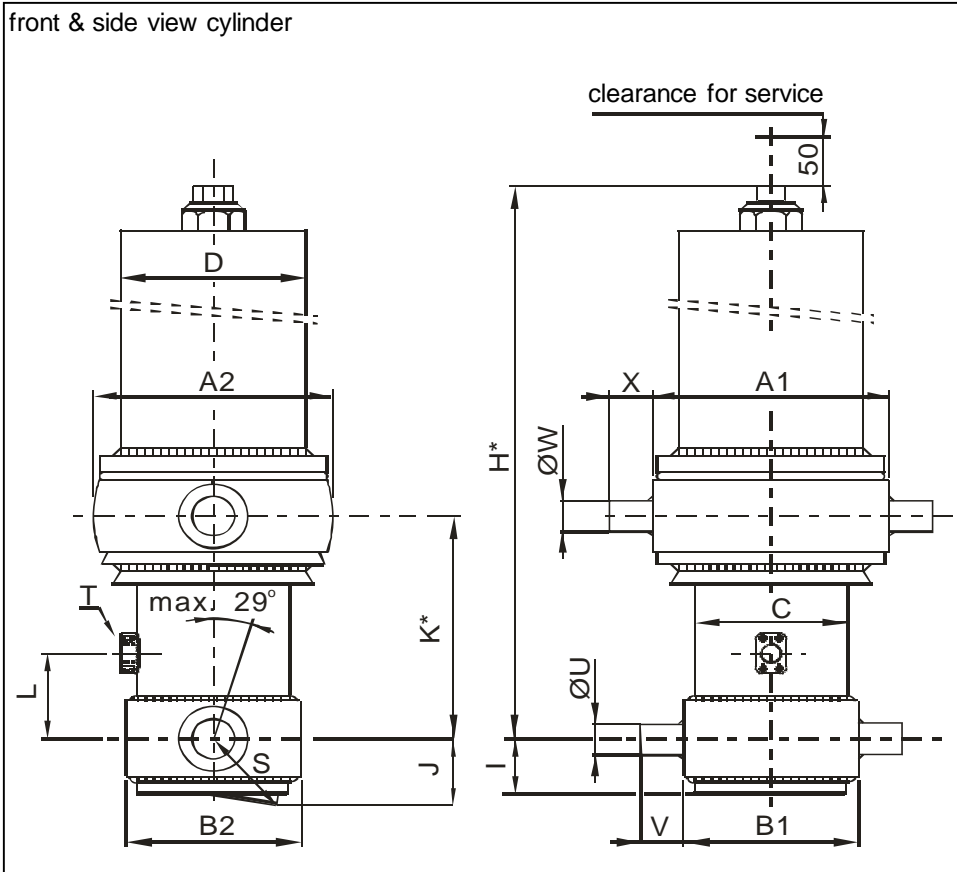
50-79 ton

page # 1 / 2

closed length (K)

895-930 mm

front & side view cylinder



	1	2	
A	340	329	mm
B	245	224	mm
C	191		mm
D	242		mm
E			mm
F			mm
G*			mm
H*	1639		mm
I	65		mm
J	106		mm
K*	900		mm
L	190		mm
M*			mm
N			mm
O			mm
P			mm
Q			mm
R			mm
S	127		mm
T	1" SAE		
U	60		mm
V	65		mm
W	60		mm
X	65		mm
Y			mm
Z			mm

*incl.20 [-5;+30] mm pull out on piston

specifications

weight cylinder only	291 kg
total volume	88 L
working volume	81 L
maximum pressure	190 bar
maximum pump flow	190 L/min
maximum cylinder angle to front	20 °
maximum thrust first stage**	35 ton

**when cyl. mounted at a large angle, thrust first stage may become too high: see Hyva Tipper Program

technical notes

This cylinder is a lifting device only and may not be used as structural member or be subject to side load. Working pressure depends on application; never exceed maximum pressure stated. Cylinder is painted black (RAL9005). Max duration of extension 0.5 hours (excluded HC). See specification sheet CYL-0019 for mounting instructions, OIL-0011 for oil specifications and 015BRA01 for bracket specifications.

extension	1	2	3	4	5	6	7	8	9	
effective diameter [mm]	169	149	129	110						total
stroke [mm]	1280	1300	1300	1300						5180

tipping weight

tipping weight at maximum pressure of 190 bar and C is 229 mm

BL (body length); OH (rear overhang); X=Ycog (vert. pos. centre of gravity); Qo (pivot length); C (bracket length);	BL	6800			6550			6300		
	OH	200	500	800	200	500	800	200	500	800
At = stroke x 60 / Qo	At	45	47	50	47	49	52	49	52	55
Ycog	600	50	55	62	52	57	65	53	60	68
900	54	60	69	56	63	73	59	67	79	
1200	59	66	78	61	71		65	76		

HYVA CYLINDER

715 06 396

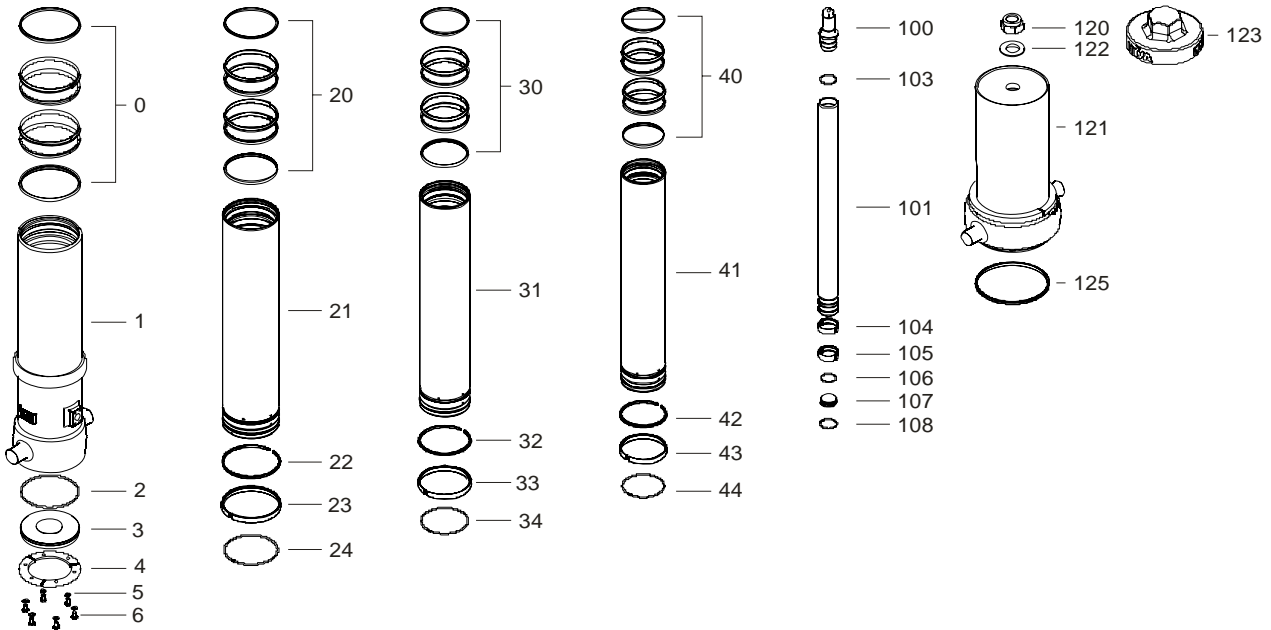


Front end cylinder with outer cover

type

FC 169-4-05180-004A-K0900

page # 2 / 2



Spare part list

Pos	Part no.	Description	Qty.
0	71802191 K	PACKSET FL 191	01
1	72507510R0655	BASE 191-1559-4/4SAE-190-C242	01
2	71870040 K	SEAL BOTTOM PLATE 191	01
3	71821191	BOTTOM PLATE 191	01
4	71820191	LOCKING PLATE 191	03
5	01732559 K	SPRING WASHER M8 SET	01
6	01732055 K	BOLT M8 X 1.25 X 20 SET	01

20	71802169 K	PACKSET FL 169	01
21	72606510	STAGE 169-1520	01
22	71811169 K	OUTER STOPRING FL 169	01
23	71807169 K	SLIDER FL 169	01
24	71813169 K	LIFTRING FL 169x5	01

30	71802149 K	PACKSET FL 149/HP 150	01
31	72605510	STAGE 149-1520	01
32	71811149 K	OUTER STOPRING FL 149	01
33	71807149 K	SLIDER FL 149	01
34	71812149 K	LIFTRING FL 149/HP 150	01

Spare part list

Pos	Part no.	Description	Qty.
40	71802129 K	PACKSET FL 129/HP 129	01
41	72604510	STAGE 129-1520	01
42	71811129 K	OUTER STOPRING FL 129/HP 129 HD	01
43	71807129 K	SLIDER FL 129/GF 129 (2 X 1/2)	01
44	71812129 K	LIFTRING FL 129/HP 129	01

100	71831110	PISTON HEAD 110 MACHINED	01
101	72403511	PISTON S 110-1525-HC	01
103	71870120 K	O-RING PISTON TOP 110	01
104	71811110 K	OUTER STOPRING FL 110/HP 110 HD	01
105	71807110 K	SLIDER FL 110/GF 110 (2 X 1/2)	01
106	71870220	O-RING PISTON BOTTOM 110	01
107	71822110	BOTTOM PLATE PISTON FL 110	01
108	01745050	CIRCLIP 100 DIN 472 (105.5X3.0)	01

120	01702907	TOPNUT NYLOC M48x3 DIN 985 ZP	01
121	71706202	COVER 242-0755 PIN60	01
122	01702956	WASHER M48 DIN 125B ZP	01
123	01702972	DUST COVER FOR COVER 242 YELLOW	01
125	01791941	O-RING COVER D242	01

Seal kit complete:

Part no.	Description
71901640 K	Seal kit complete: consists of all packsets with packset grease and O-rings

Notes:

The inner and outer stoprings are pre-mounted in the grooves on spare stages and pistons. Therefore, when ordering new tubes, it is not required to order stopring separately.