

* incl. 20 [-5; +30] mm pull out

3D model is available on request or www.hyva.com

Specifications		Max. pump flow		Tipping time	
Max. working pressure	250 bar	With KO ¹	220 L/min	With KO ¹	22 sec
Weight	226 kg	Without KO ¹	190 L/min	Without KO ¹	25 sec
Working volume	79 L	With KO ¹ below -20°C	154 L/min	With KO ¹ below -20°C	31 sec
Total volume	86 L	Without KO ¹ below -20°C	133 L/min	Without KO ¹ below -20°C	36 sec
Max. cyl. load (start tipping)	345 kN			Allowable lowering time	17 sec
Max. cyl. load (end of stroke) ²	179 kN				
Max. cyl. load (end of stroke) ³	209 kN				

Technical notes

- This cylinder is a lifting device only. • It should not be used as a structural member and should not be subjected to side loads. • Tipping valve must have a pressure relief at the cylinder port set not higher than max. working pressure. • Verify max. cyl. load. • Working temperature range is between -40°C and +80°C. • Max. duration of extension is 0.5 hours (excluded hard chromed stages). • Cylinder is painted black (RAL9005) with a min. thickness conforming to the 480 hours neutral salt spray test as per ISO 9227. • ¹ Hyva knock-off. • ² Unsubstantial unloading (sticky load). • ³ Substantial unloading.

Related documentation

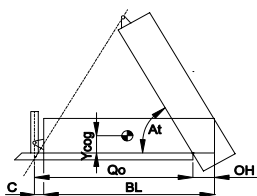
- Bracket options: 015BRA10 & 015BRA13
- Mounting instructions: CYL-0031
- Oil specifications: OIL-0011
- Spec sheet explanation: CYL-0041

Configuration

Extension	1	2	3	4	5	6	7	Total
Effective diameter [mm]	169	149	129	110				5105
Stroke* [mm]	1255	1280	1285	1285				

Tipping weight

For detailed tipping calculations please refer to: <https://tipper.hyva.com>

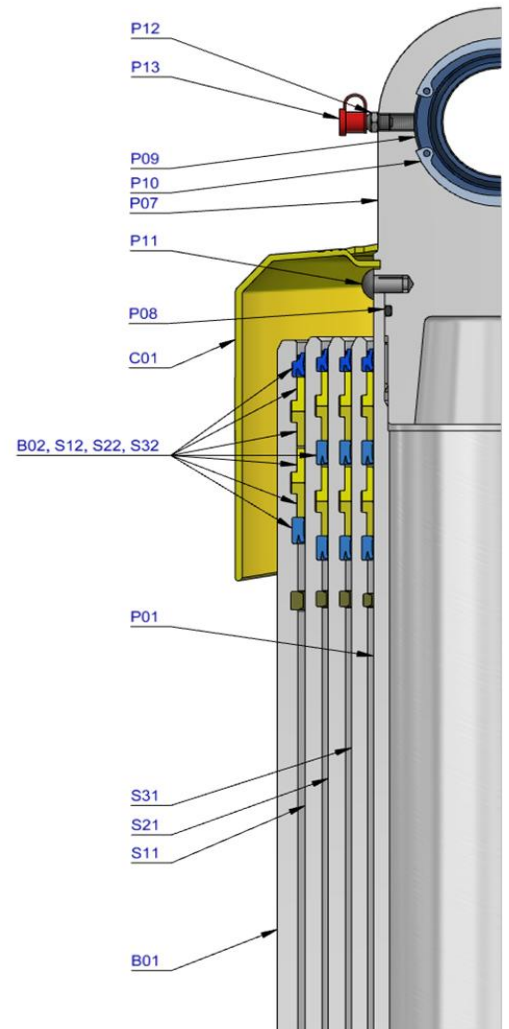


- BL body length
- OH rear overhang
- Ycog vert. pos. centre of gravity
- Qo pivot length
- C bracket length
- At tipping angle

BL [mm]	200	6700		200	6500		200	6300	
OH [mm]	46	500	800	48	500	800	49	500	800
At [°]	46	48	51	48	50	53	49	52	55
Ycog [mm]									
C [mm]	66	72	81	67	74	84	69	77	
At [°]	71			73					

Tipping weight [ton] at maximum pressure of 250 bar for a vertically mounted cylinder and C is 158 mm

Pos.	Part no.	Description	Qty.
C01	71839130	DUST COVER FE 169-4/191-5	1
P01	74473511	PISTON FL3 S 110-1515-HD-HC	1
P02	71807112K	SLIDER FL 110 (2 X 1/2) A35	1
P03	71851110K	OUTER STOPRING FL 110 A22	2
P04	71822710	BOTTOM PLATE PISTON FL 110 MK2 HD	1
P05	01745021K	CIRCLIP 97 DIN 472 (102.5x3.0)	1
P06	71870220K	O-RING PISTON BOTTOM 110	1
P07	71847301	PISTON EYE SPH. FL3 110 L=075 GR	1
P08	01226538K	O-RING 91.67 X 3.53 MM NBR	1
P09	01770085K	SPHERICAL BEARING D.50.3 DO GREASED	1
P10	01770560K	CIRCLIP 75 DIN 472 (79.5x2.5)	1
P11	71875012	PIN ROUND HEAD GROOVED 8x15 mm	2
P12	56288044K	GREASE NIPPLE M8x1 DIN 71412	1
P13	01317670K	GREASER PROTECTION CAP	1

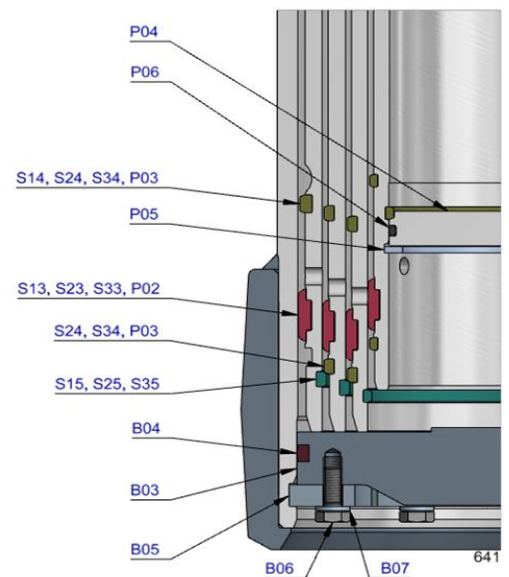


S31	74614511	STAGE FL2 129-1510-HD-HC	1
S32	71808129K	PACKSET FL 129/HP 129 TANDEM SEAL	1
S33	71807131K	SLIDER FL 129 (2 X 1/2) A35	1
S34	71851129K	OUTER STOPRING FL 129 A22	2
S35	71852129K	LIFTRING FL 129 A22	1

S21	74615511	STAGE FL2 149-1510-HD-HC	1
S22	71808149K	PACKSET FL 149/HP 150 TANDEM SEAL	1
S23	71807151K	SLIDER FL 149 A35	1
S24	71851149K	OUTER STOPRING FL 149 A22	2
S25	71852149K	LIFTRING FL 149 A22	1

S11	74616511	STAGE FL2 169-1510-HD-HC	1
S12	71808169K	PACKSET FL 169 TANDEM SEAL	1
S13	71807171K	SLIDER FL 169 A35	1
S14	71851169K	OUTER STOPRING FL 169 A22	1
S15	71852169K	LIFTRING FL 169 A22	1

B01	74517514	BASE FL2 191-1553-4/4BSAE-290-HD	1
B02	71802191K	PACKSET FL 191	1
B03	71825430	BOTTOM PLATE FL2 191	1
B04	71870040K	SEAL BOTTOM PLATE FL 191	1
B05	71820195	LOCKING PLATE FL2 191	3
B06	01732055K	BOLT HEX M8X20X1.25 SET 6 PCS	1
B07	01732559K	WASHER SPRING M8 SET 6 PCS	1



Seal kit complete

71908641K	Consists of all packsets with packset grease and O-rings
-----------	--

Notes

The inner stopring and piston bottom are pre-mounted on spare bases, stage and pistons. Therefore, when ordering new tubes, it is not required to order these parts separately.

For repair instructions see: CYL-0040. Serial no. is located on type plate and near type plate support.