

HYVA GEAR PUMPS



Hyva

gear pump type :

gear pump 84L-4H-R

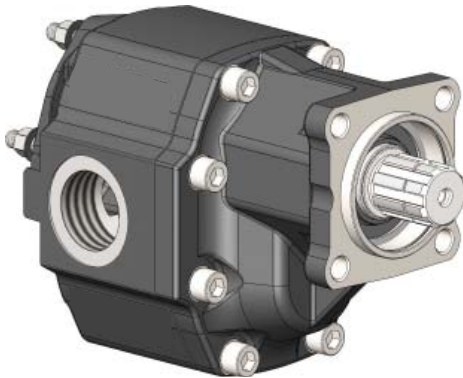
Page 1 / 1

part number :

145 70 756

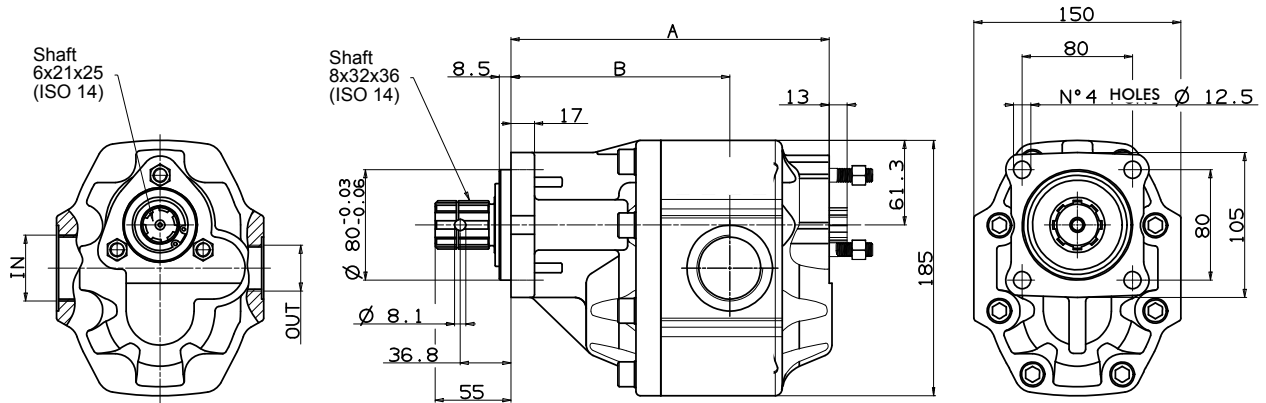
rotation :

right



Fluid	Mineral or synthetic compatible with the following seals: NBR, FKM, FPM, Nylon				
Kinematic viscosity suggested	Average ambient temp. (°C)	< -10	-10+10	10+35	> 35
	VG (cSt = mm²/s)	22	32	46	68
Optimale kinematic viscosity			VG= 10 cSt + 100 cSt		
Max kinematic viscosity suggested at the start-up			VG= 750 cSt		
Viscosity index suggested	VI > 100	Working temperature		-15°C + 100°C	
Oil filtering			> 200 bar: 10 µm < 200 bar: 25 µm		
Inlet pressure	-0,3 ÷ 2 bar				
Pump rotation	Unidirectional				
Verify that pump is, at least, 100 mm under the minimum level of the tank. Before starting the pump bleed the air.					

Dimensions in mm



DISPLACEMENT	PRESSURE			MAX. CONTINUOUS SPEED	MAX. INTERMITTENT SPEED	MIN. SPEED	IN ISO 228	OUT ISO 228
	P1	P2	P3					
85,96 cm³/rev	260 bar	280 bar	290 bar	1800 rpm	2700 rpm	300 rpm	G 1 1/4	G 1

P1 = Max. continuous pressure (100%)
 P2 = Max. Intermittent pressure (20 sec.max.)
 P3 = Max. peak pressure (6 sec.max)

A	B	WEIGHT
207,5 mm	141 mm	20,9 Kg

