



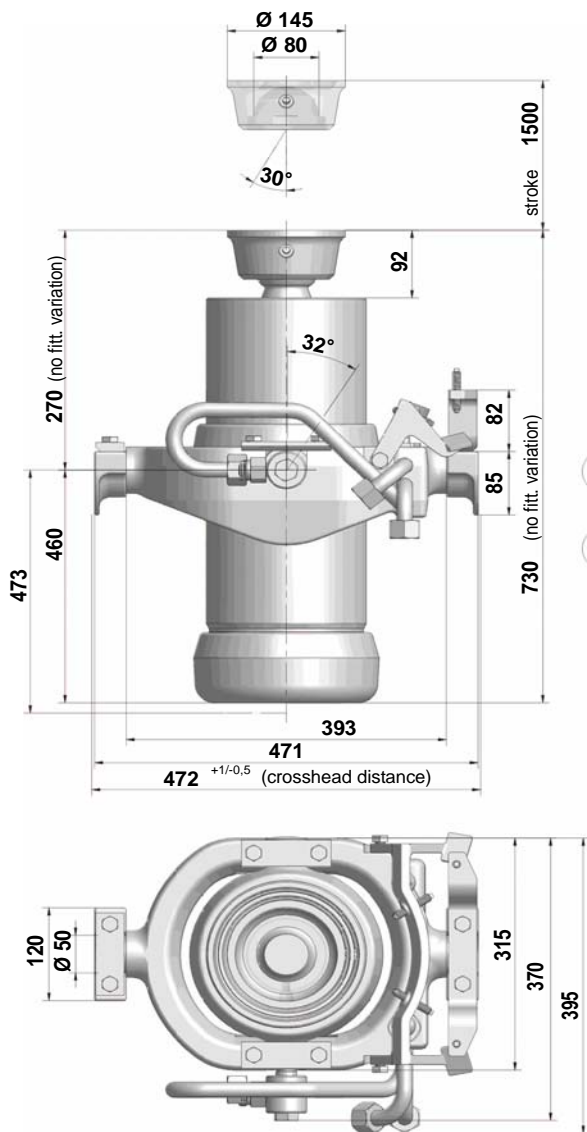
# Data Sheet

series  
**KRA**

type  
**145 - 3 - 1500**

order - no.  
**R1130KAH**

**hydraulic switching off split system**



side view from the right side

- ① Delivery connection tube  $\varnothing 20$  outside with cutting ring and swivel nut, solid series + adapter 3/4"
- ② Return connection tube  $\varnothing 20$  outside with cutting ring and swivel nut, solid series + adapter 3/4"

**bearing load** max.: **300** kN

**tipping weight** approx.: **33** to

**stroke** : **1500** mm

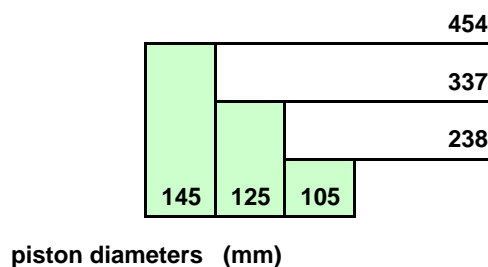
**lifting volume** : **18,7** litre

**weight** approx.: **164** kg

**P** max.: **275** bar

**fitt. variaton** min.: **25** mm

- plunger : hard-chromed
- biggest piston tube : hard-chromed
- remaining piston tubes : hard-chromed



subject to technical modifications from 14.05.2007