

HYVA OIL TANKS



CRADLE MOUNTED TANK WITH VALVE MOUNTING BLOCK

Hyva

type :

CM - 025L/018L - MP

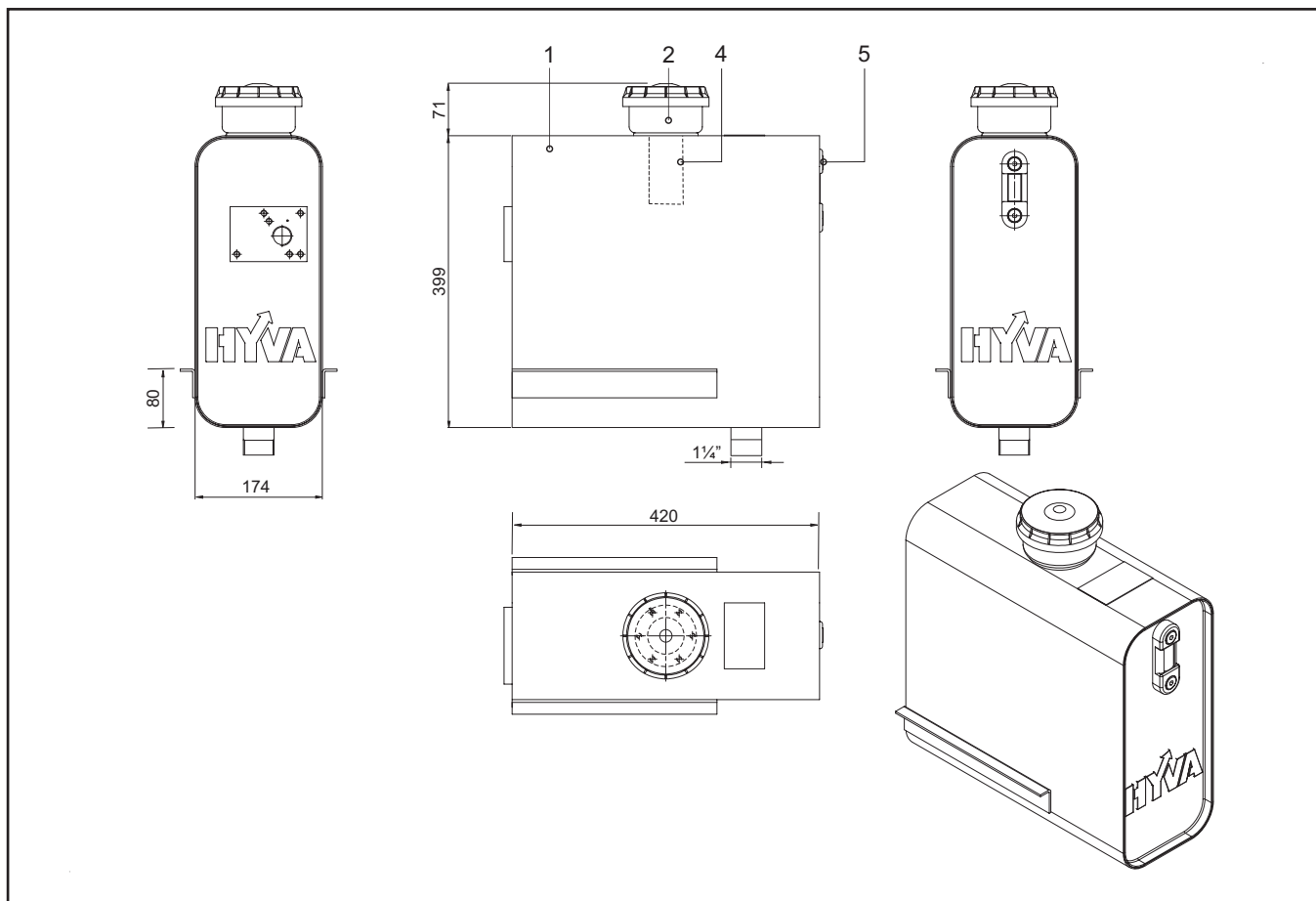
part number tank :

140 16 220

Page 1 / 1

working volume :

18 liters



Part list

Pos.	Part no.	Description	Qty.
1	140 16 220	tank CM - 025L/018L - MP	1
2	081 02 116	air breather filter	1

Spare Parts

Pos.	Part no.	Description	Qty.
4	081 02 117	air filter element	1
5	081 02 129	level indicator	1

General information

Pay attention to the following points:

- Mount the tank according to the mounting instructions.
- Fill the tank with the recommended hydraulic oil to the centre of the level indicator.
- Change the oil once a year.
- Replace the air breather and return filter element twice a year.
- Do not use the tank as a support or to stand on.
- Do not weld to the oil tank.

Mounting instructions

- **Mounting tank on cradle** Put the tank at least 200 mm inside the cradle. Weld the strips of the tank to the cylinder cradle
- **Sealing** Use fluid sealant or Teflon tape when fitting to a hydraulic component without O-ring. When a hydraulic component is provided with O-ring, no tape or fluid sealant is necessary.

Specifications

Gross volume	: 25	Liters
Working volume	: 18	Liters
Weight tank	: 10	kg
Suction connection	: 1 1/4"	BSPOT