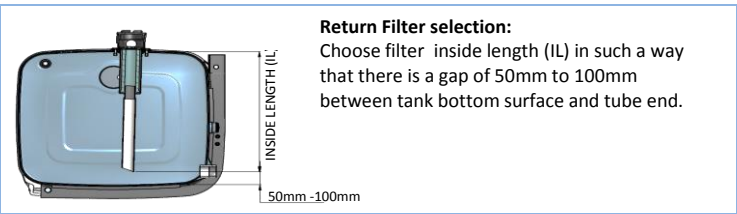


HYVA RETURN FILTER



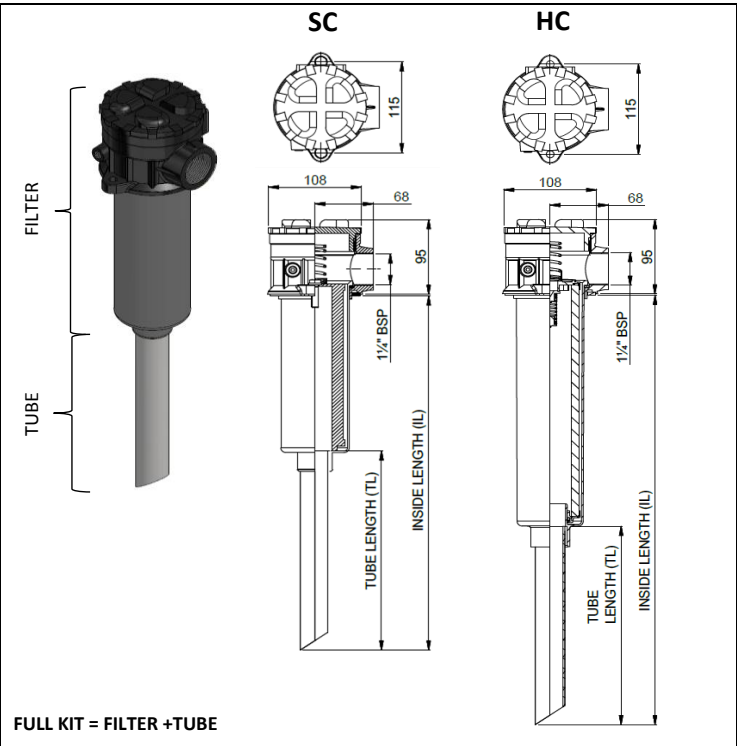
STANDARD CAPACITY (SC)
HIGH CAPACITY (HC)



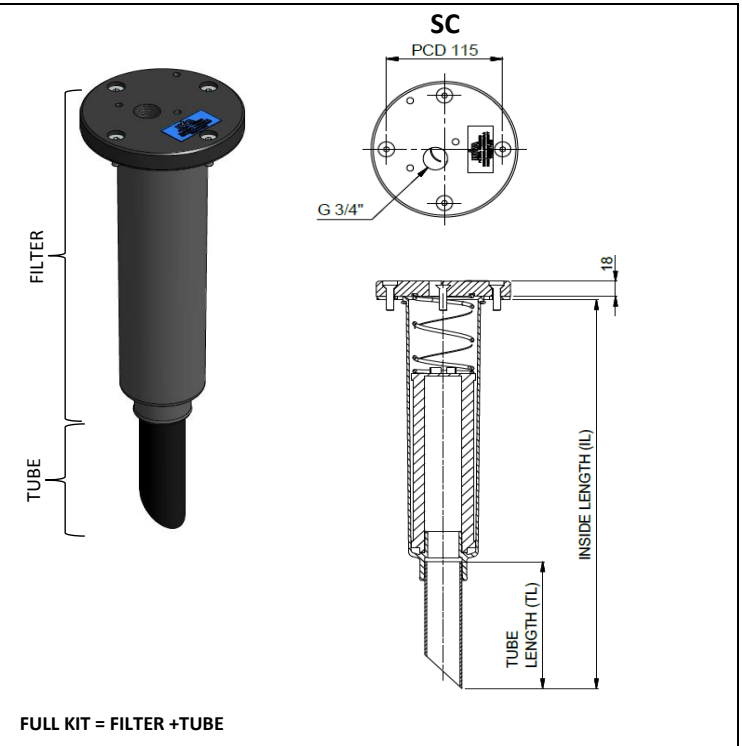
Return Filter selection:
Choose filter inside length (IL) in such a way that there is a gap of 50mm to 100mm between tank bottom surface and tube end.

Specification	SC	HC	
Nominal flow (clean element)	150	250	L/min
Peak flow	300	375	L/min
By-pass pressure (-/+10%)	1,75	2,5	bar
Collapse pressure element	10	8	bar
Filter element	25	10	µm
Temperature range min/max	-40/+100	-40/+100	°C
Dirt holding capacity	25	37,4	gr
Filter area	1730	2500	mm ²

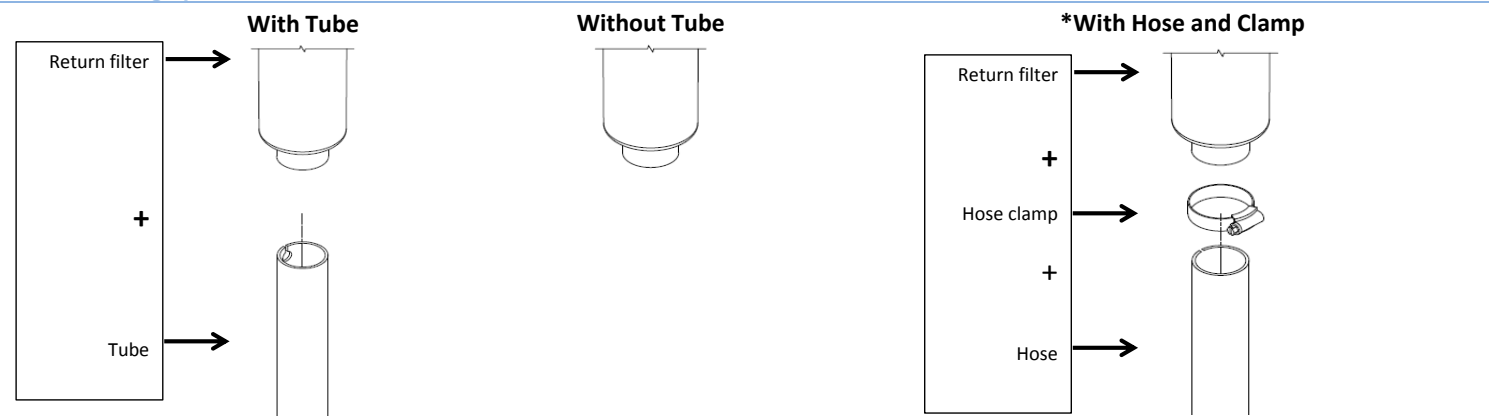
RETURN FILTER (HOUSE VERSION)



RETURN FILTER (PLATE VERSION)



Tube mounting options



Types & components

	IL	SC	HC	Full Kit	Weight (kg)	TUBE LENGTH (TL)
Return filter (house version)	224	•		14780306	1,2	USE HOSE & CLAMP*
	326		•	14780305	1,4	Without Tube
	452	•		14780301	1,3	250
	460		•	14780331	1,5	150
	552	•		14780303	1,3	350
	560		•	14780333	1,5	250
	602	•		14780304	1,3	400
	610		•	14780334	1,5	300

Types & components

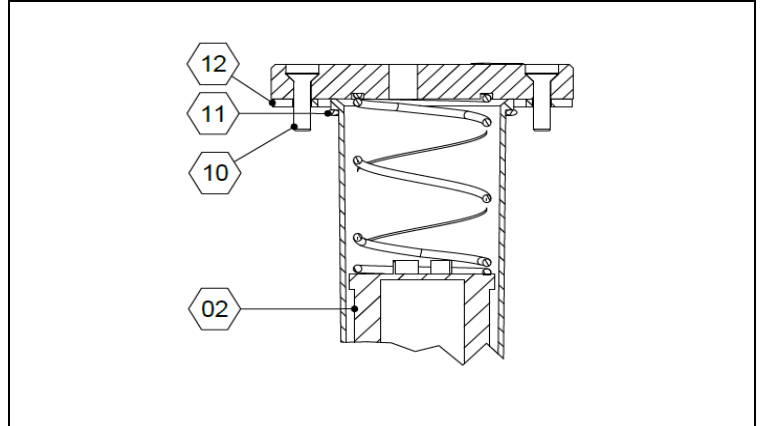
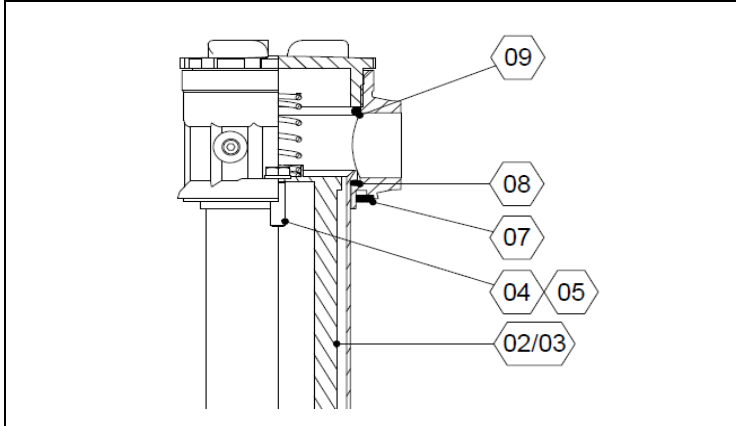
	IL	SC	HC	Full Kit	Weight (kg)	TUBE LENGTH (TL)
Return filter (plate version)	339	•		14895918	1,7	Without Tube
	465		•	14895919	1,8	150
	565	•		14895920	1,9	250
	665		•	14895921	2,0	300

HYVA RETURN FILTER



STANDARD CAPACITY (SC)
HIGH CAPACITY (HC)

Spare parts



NO.	Part No.	Description	Qty.
02	14896991A	Filter element-SC	1
03	14896990	Filter element-HC	1
04	15004010	Hex. Bolt M8	2
05	15022020	Washer D8	2
-	14896951	Seal KIT (Parts 6,7 & 9)	-
06	14780318	Plastic Plug M8	2
07	n.a	Flat Seal	1
08	n.a	O-Ring	1
09	n.a	O-Ring	1

NO.	Part No.	Description	Qty.
02	14896991A	Filter element-SC	1
10	15012790	Countersunk bolt M8	4
-	14896960	Seal Kit (Parts 11 & 12)	-
11	n.a	O-Ring	1
12	n.a	Flat Seal	1

Technical notes

Replace element twice a year.

Related documentation

Mounting instruction: FIL-0001