

# HYVA DIVERTER VALVE

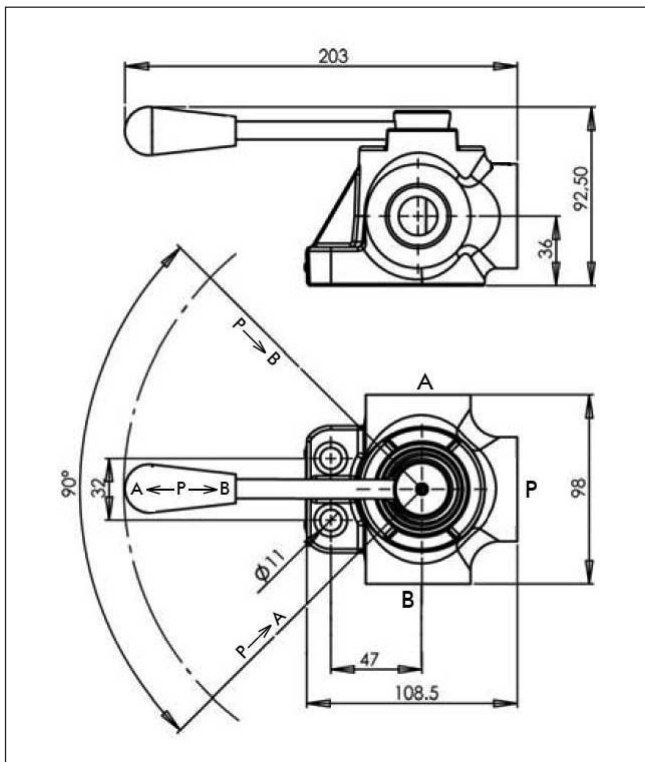


DIVERTER VALVE - MANUAL OPERATING

Hyva

tipping valve type: diverter-valve man.-3/3-220L-400B-1"  
 working pressure: 400 bar  
 part number valve: 021418012

page # 1 / 1



## specifications

hydraulic connections	: G1"
max. working pressure	: 380 bar
max. peak pressure	: 400 bar
max. advised flow	: 220 L/min.
oil type	: ISO VG 68
temperature range	: -25 / + 80 °C
mass	: 3.7 kg

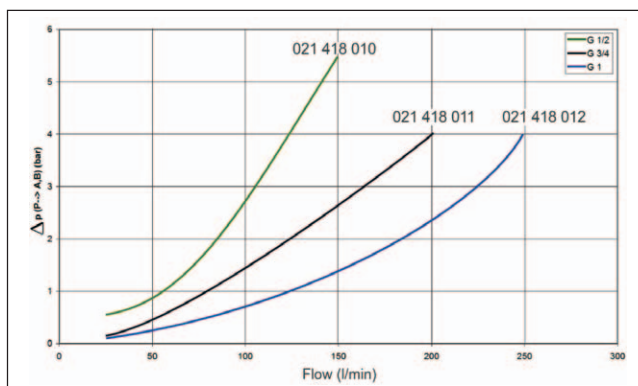
## general information

Manual 3-way high pressure diverter valve to control 2 pressure lines separately. Especially designed to afford pressure peaks of applications like Tipper/crane or hook loader/crane.

- Pressure up to 400 bar.
- Open center scheme to prevent dangerous shocks while switching.
- Galvanized body and nickel spool.

## Δp - Flow characteristic

The graph refers to oil type ISO VG 68 at 50°C



## hydraulic symbol

