

# HYVA PTO'S



PNEUMATICALLY OPERATED POWER TAKE-OFF

Hyva

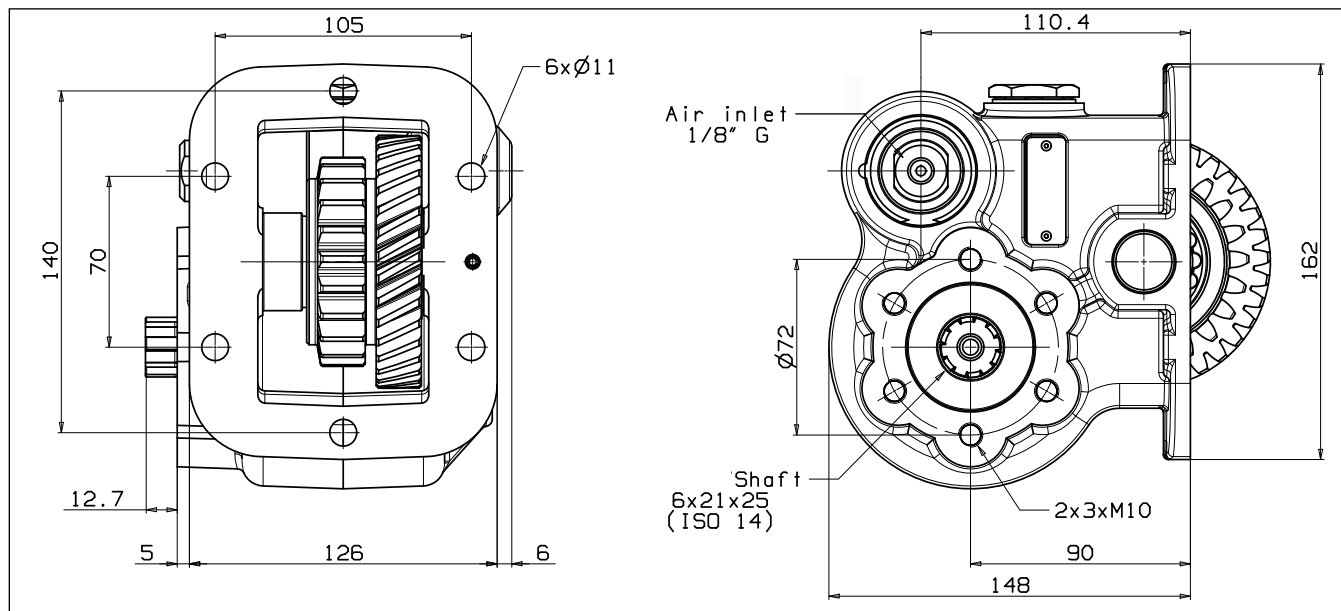
Partno. PTO:

021214021

Type Gearbox:

ZF

Page 1 / 1



## Specifications

Type Gearbox	S5 - 42/5.72 - 0.76
PTO ratio@1000 eng. rpm	738 rpm
Max torque	180 Nm
Mounting side	Left
Output	Rear
Rotation	Cw

## Mounting kit

Part no.	021464003
----------	-----------

