

## Specifications

Max. working pressure	250 bar
Weight	195 kg
Working volume	36 L
Total volume	39 L
Max. cyl. load (start tipping)	195 kN

## Max. pump flow

With KO <sup>1</sup>	122 L/min
Without KO <sup>1</sup>	86 L/min
With KO <sup>1</sup> below -20°C	85 L/min
Without KO <sup>1</sup> below -20°C	60 L/min

## Tipping time

With KO <sup>1</sup>	18 sec
Without KO <sup>1</sup>	25 sec
With KO <sup>1</sup> below -20°C	26 sec
Without KO <sup>1</sup> below -20°C	36 sec
Allowable lowering time	18 sec

Extension	1	2	3	4	5	6	7	Total
Effective diameter [mm]	129	110	91	72				4320
Stroke* [mm]	1065	1085	1085	1085				

## Technical notes

- This cylinder is a lifting device only.
- It should not be used as a structural member and should not be subjected to side loads.
- Tipping valve must have a pressure relief at the cylinder port set not higher than max. working pressure.
- Verify max. cyl. load.
- Working temperature range is between -40°C and +80°C.
- Max. duration of extension is 0.5 hours (excluded hard chromed stages).
- Cylinder is painted black (RAL9005) with a min. thickness conforming to the 480 hours neutral salt spray test as per ISO 9227.
- <sup>1</sup> Hyva knock-off.

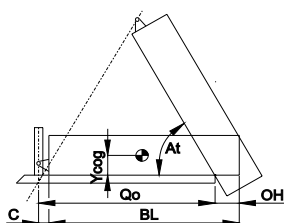
## Related documentation

Bracket options: 015BRA10 & 015BRA12

Mounting instructions: CYL-0030

Oil specifications: OIL-0011  
Spec sheet explanation: CYL-0041

## Tipping weight



BL	body length
OH	rear overhang
Ycog	vert. pos. centre of gravity
Qo	pivot length
C	bracket length
At	tipping angle
	stroke x 60 / Qo

BL [mm]	5800			5550			5300		
OH [mm]	200	500	800	200	500	800	200	500	800
At [°]	44	47	50	46	49	52	49	52	56
Ycog [mm]									
600	29	33	38	30	35	41	32	37	45
900	32	37	44	33	39	49	35	43	
1200	35	41		37	45		40		

Tipping weight [ton] at maximum pressure of 250 bar for a vertically mounted cylinder and C is 178 mm

For detailed tipping calculations please refer to: <https://tipper.hyva.com>

# Alpha series - Front end cylinder with outer cover

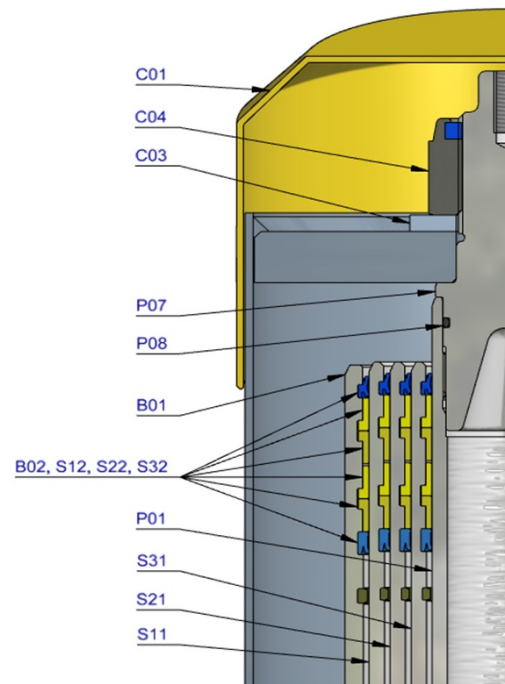


FC A129-4-04320-070-K0343

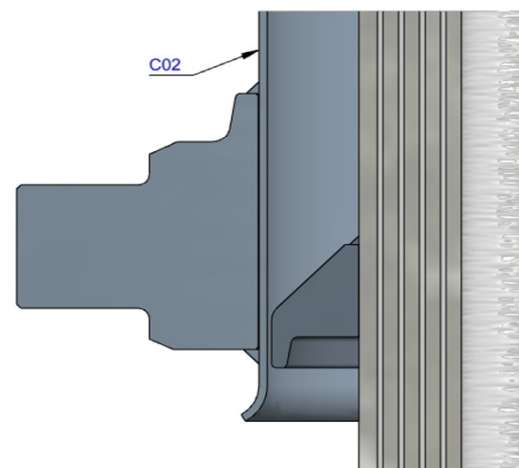
Item no.

70524256

Pos.	Part no.	Description	Qty.
C01	71839030	DUST COVER FC LOW 15-241	1
C02	71709415	COVER 241-1075 PIN60 A340 FIX	1
C03	01702956 K	WASHER M48 DIN 125B ZP	1
C04	01702907 K	TOPNUT NYLOC M48x3 DIN 985 ZP	1
P01	74401301	PISTON FL2 S 072-1280-HC	1
P02	71853072 K	SLIDER FL 072 (2 X 1/2) A22	2
P04	71822072	BOTTOM PLATE PISTON FL 072	1
P05	01745026 K	CIRCLIP 63 DIN 472 (67.2x2.0)	1
P06	71870210 K	O-RING PISTON BOTTOM 072	1
P07	71848100	PISTON HEAD FL 072 MK2	1
P08	01226420 K	O-RING 53.57 X 3.53 MM	1

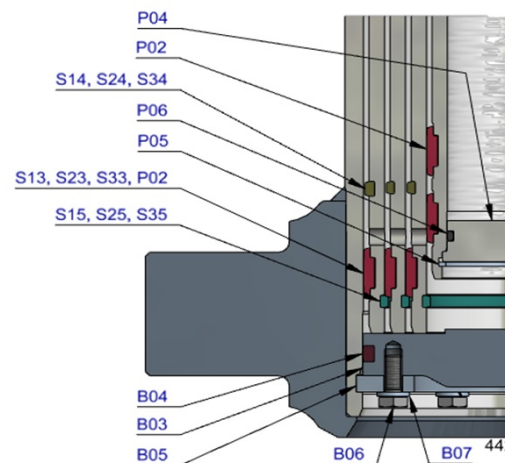


S31	74602300	STAGE FL2 091-1275	1
S32	71802091 K	PACKSET FL 091	1
S33	71853091 K	SLIDER FL 091 (2 X 1/2) A22	1
S34	71851091 K	OUTER STOPRING FL 091 A22	1
S35	71852091 K	LIFTRING FL 091 A22	1



S21	74603300	STAGE FL2 110-1275	1
S22	71802110 K	PACKSET FL 110	1
S23	71853110 K	SLIDER FL 110 (2 X 1/2) A22	1
S24	71851110 K	OUTER STOPRING FL 110 A22	1
S25	71852110 K	LIFTRING FL 110 A22	1

S11	74604300	STAGE FL2 129-1275	1
S12	71802129 K	PACKSET FL 129/HP 129	1
S13	71853129 K	SLIDER FL 129 (2 X 1/2) A22	1
S14	71851129 K	OUTER STOPRING FL 129 A22	1
S15	71852129 K	LIFTRING FL 129 A22	1



B01	74505303R0975	BASE FL2 149-1314-4/4BSAE-190-90-C242	1
B02	71802149 K	PACKSET FL 149/HP 150	1
B03	71825420	BOTTOM PLATE FL2 149	1
B04	71870030 K	SEAL BOTTOM PLATE FL 149	1
B05	71820149	LOCKING PLATE FL 149	3
B06	01732055 K	BOLT HEX M8X20X1.25 SET 6 PCS	1
B07	01732559 K	WASHER SPRING M8 SET 6 PCS	1

## Seal kit complete

	71908440 K	Consists of all packsets with packset grease and O-rings	
--	------------	--	--

## Notes

The inner stopring is pre-mounted in the grooves on spare bases and stages. Therefore, when ordering new tubes, it is not required to order inner stoprings separately.

For repair instructions see: CYL-0040. Serial no. is located on type plate and near type plate support.