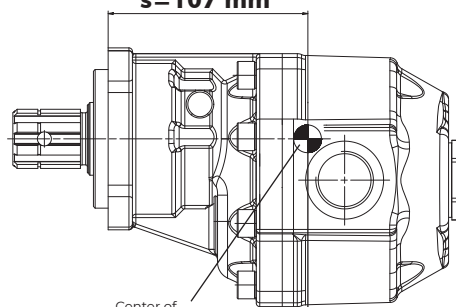


MASS MOMENT $M_{amm} = s \times G$ (Nm)

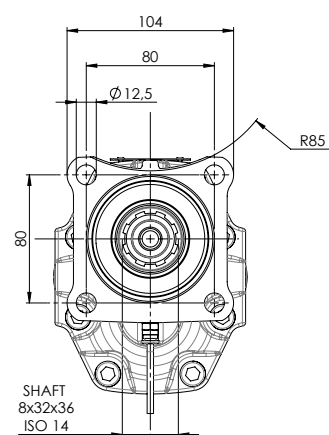
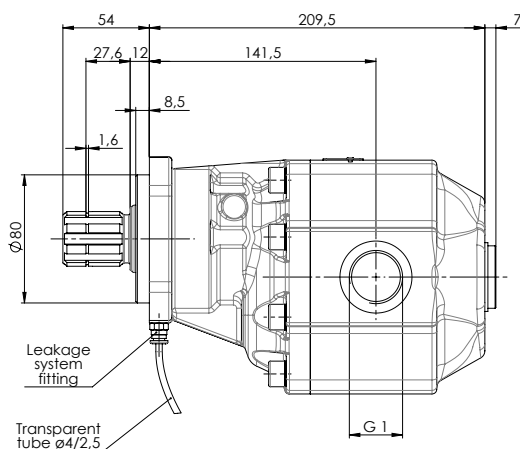
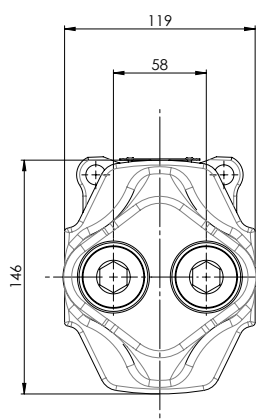
$s = 107$ mm



Center of mass

G = Weight in N
(Weight in Kg x 9.81)

Dimensions in mm



SHAFT
8x32x36
ISO 14

Specifications

| | | | |
|---|------------------------------|---|--|
| Displacement | = 81,08 cm ³ /rev | Pump rotation | = Bidirectional |
| Max. continuous pressure (100%) | = 205 bar | Inlet pressure | = 0,3 ÷ 2 bar |
| Max. intermittent pressure (20sec. max) | = 225 bar | Oil filtering: | = > 200 bar: 10 µm / < 200 bar: 25 µm |
| Max. peak pressure (6sec. max) | = 230 bar | Working temperature | = -15°C +100°C |
| Max. continuous speed | = 1900 rpm | Viscosity index suggested | = VI > 100 |
| Max. intermittent speed | = 2500 rpm | Max kinematic viscosity suggested at the start-up | = VG= 750 cSt |
| Min. speed | = 300 rpm | Optimale kinematic viscosity | = VG= 10 cSt ÷ 100 cSt |
| IN ISO 228 | = G 1 | Fluid | = Mineral or synthetic compatible with the following seals: NBR, FKM, FPM, Nylon |
| OUT ISO 228 | = G 1 | | |
| Weight | = 15,8 Kg | | |

Verify that pump is, at least, 100 mm under the minimum level of the tank.
Before starting the pump bleed the air.

Kinematic viscosity suggested

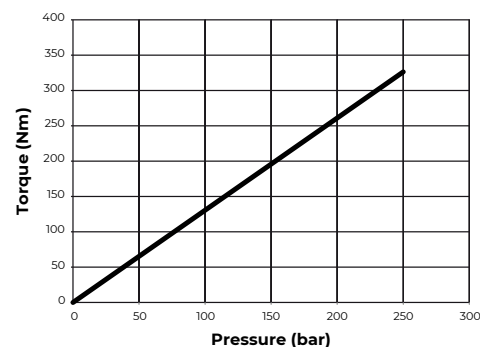
| Average ambient temp. (°C) | VG (cSt = mm ² /s) |
|----------------------------|-------------------------------|
| < -10 | 22 |
| -10÷10 | 32 |
| 10÷35 | 46 |
| > 35 | 68 |

Related documentation

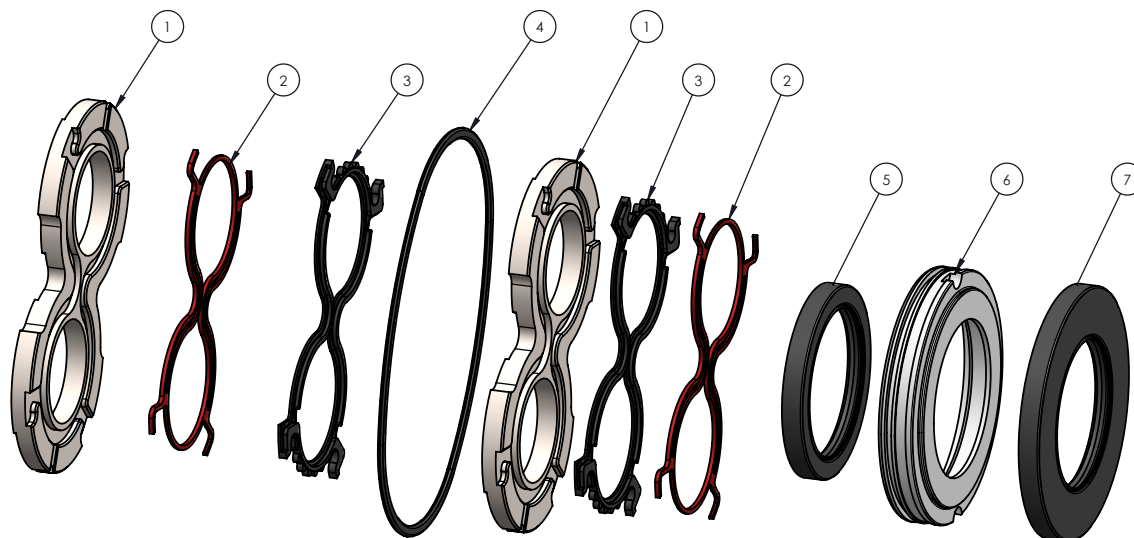
Mounting instructions:

PUM-0017

Torque - Pressure characteristics

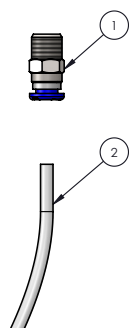


Spare parts



| N° | Part.no | Description | Qty. |
|----|----------|-------------------|------|
| 1 | 02411002 | Thrust plate | 2 |
| 2 | | Back-up ring | 2 |
| 3 | | Thrust plate seal | 2 |
| 4 | | O-ring | 1 |
| 5 | | Oil seal 55x42x6 | 1 |
| 6 | | Oil seal flange | 1 |
| 7 | | Oil seal 72x42x6 | 1 |

| N° | Part. no | Description |
|----|----------|-------------|
| 2 | 02410032 | Seal kit |
| 3 | | |
| 4 | | |
| 5 | | |
| 6 | | |
| 7 | | |



| N° | Part. no | Description |
|----|----------|-----------------------|
| 1 | 02412495 | Leakage indicator kit |
| 2 | | |