



Model
20t/m22T-SK

Logbook Code_ V AB



Version History

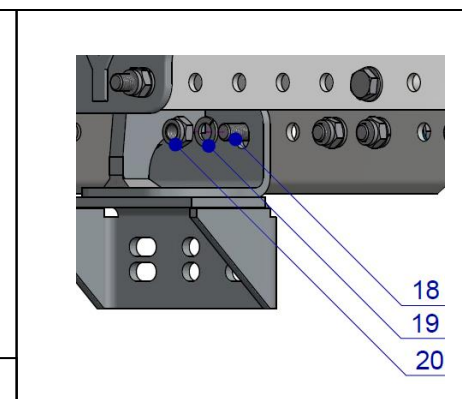
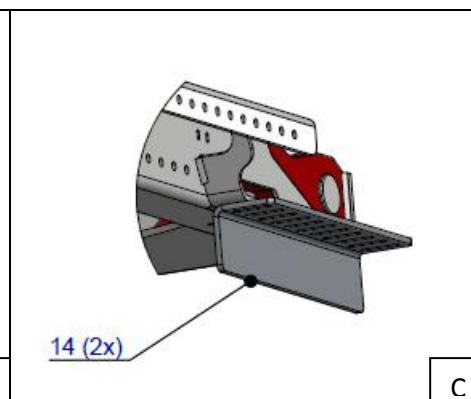
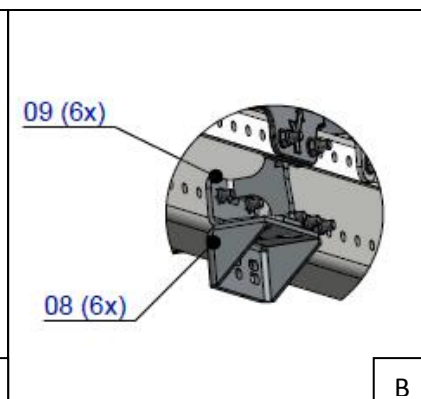
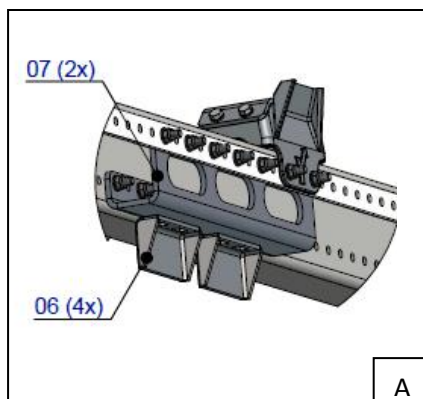
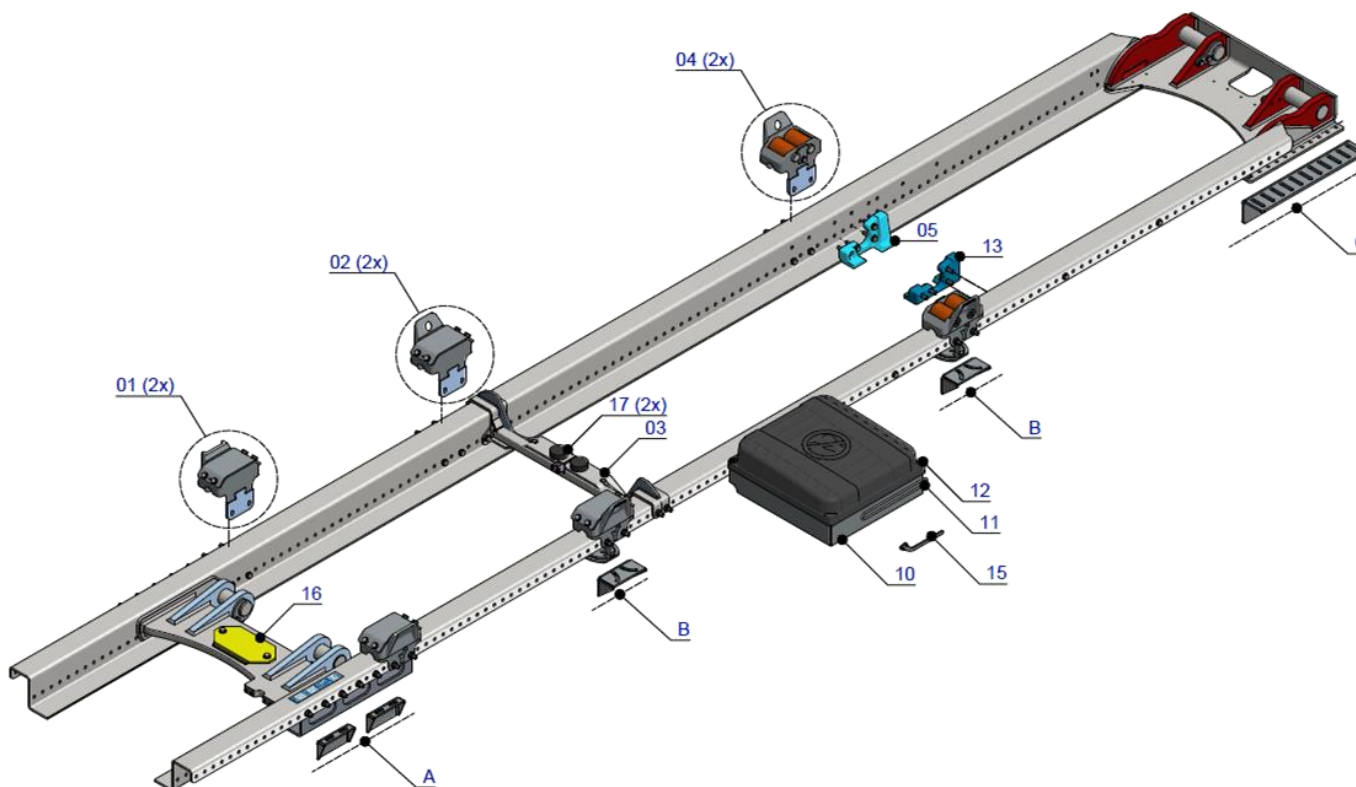
SL. No	Version	Date	Description	Person	Chk by
01	1.1	1-27-2015	Added version in the header for all sheet	K.K	P.P
02	1.2	2-13-2015	Modification in Valve block	K.K	P.P
03	1.3	2-13-2015	Page-11 Qty update for Bearing, Page-12 Knuckle CYL part no. update	K.K	P.P
04	1.3	2-13-2015	Change in cylinder seal kit	K.K	P.P
05	1.4	03-25-2015	Pipe assembly part number updated	K.K	P.P
06	1.5	04-27-2015	Hook mast and length variants are updated	K.K	P.P
07	1.6	15-06-2015	In Pickup hook part number changed from AE082308 to AE082310	K.K	P.P
08	1.7	28-07-2015	4 part description is changed in tipping bridge	K.K	P.P
09	1.8	20-08-2015	OPTIONS ARE ADDED	A.K	P.P
10	1.9	23-11-2015	Page-5; combi lock item 4,5 and 6 are update	K.K	P.P
11	2.0	17-12-2015	Page 14: Item 3 and 7 are updated	K.K	P.P
12	2.1	08-03-2016	Page-16; item-3 part no. changed	K.K	P.P
13	2.2	04-04-2016	Pick up hook updated	K.K	P.P
14	2.3	08-04-2016	Main relief and Service port table added	K.K	P.P
15	2.4	05-08-2016	Seal Kit number updated	K.K	P.P
16	2.5	06-09-2016	Page-16; Knuckle mast pin added	K.K	P.P
17	2.6	15-11-2016	Page-18, hook mast hydraulics are added, page-72 part no is changed	K.K	P.P
18	AA	24-10-2017	Rear Light bracket page no. 84 updated	R.P	P.P
			Page – 4,6,13 ; Changed Wear plate part number and fastener update (EC20170315_4)		
			Page – 21; Pickup hook updated		
19	AB	30-01-2018	Page – 40; BOM and dimension update (EC20170315_4)	R.P	P.P
			Page – 52; Added option number “OT50124” to Aluminium valve block cover		
			Page – 90,92,94,96,105; Updated fender bracket (EC20170419_16)		

SUBFRAME MOUNTING FIXED

 Part
 AE080701

1/1

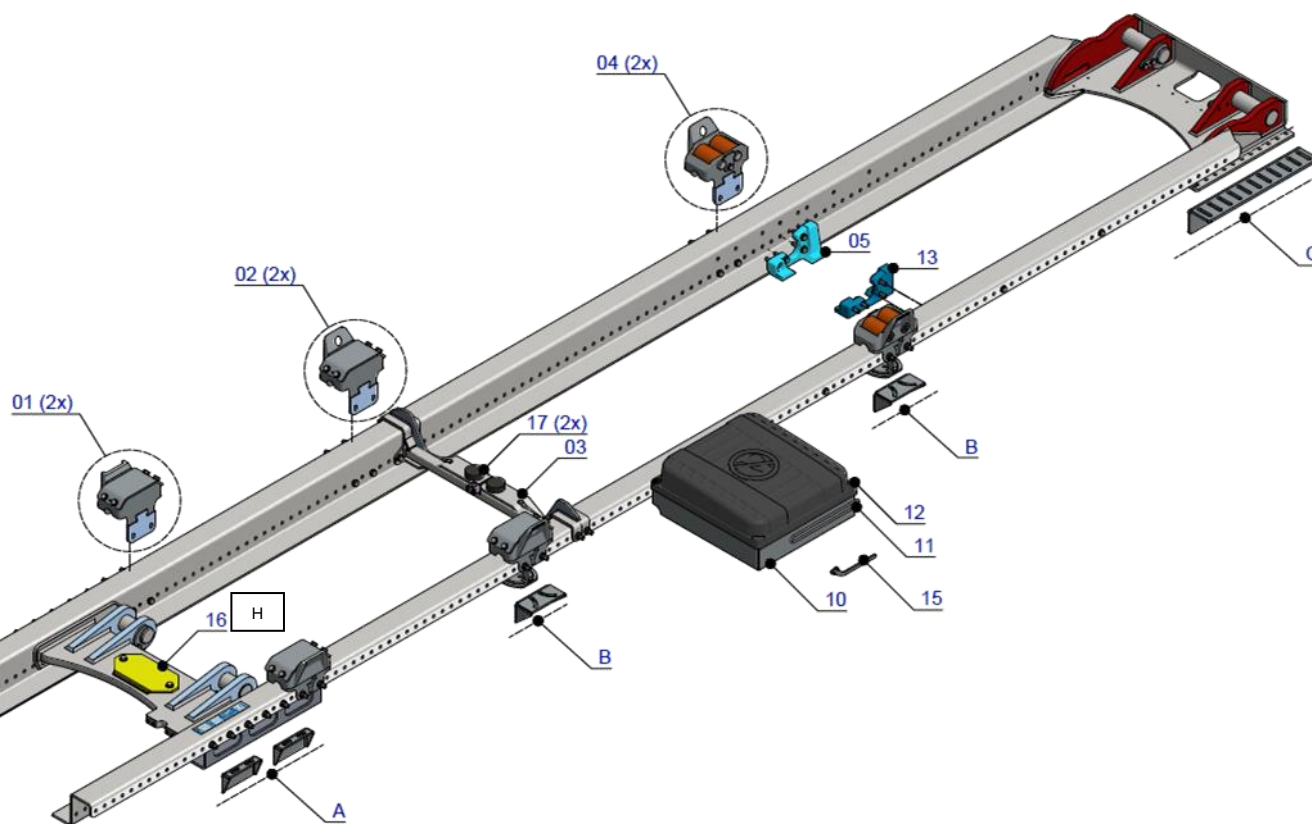
Pos.	Part Number	Q.ty	Description
01	AE080071	2	CONTAINER SUPPORT O:250 LOW LIP PLATE ASSY
02	AE080070	2	CONTAINER SUPPORT O:250 HIGH LIP PLATE ASSY
03	AE080140	1	CROSSMEMBER ASSY
04	AE080072	2	CONTAINER SUPPORT O:250 HIGH LIP ROLL ASSY
05	AE080112	1	CENTER LOCKING RIGHT
06	AE080159	4	CHASSIS BRACKET
07	AE080047	2	FOLDED PLATE T=8mm
08	AE080167	6	UNI BRACKET CHASSIS WELD ASSY
09	AE080160	6	MULTIFUNCTIONAL SUBFRAME SUPPORT ASSY
10	AE080043	1	VALVE BLOCK SUPPORT ASSY
11	P1260500	1	RUBBER STRAP
12	AE080090	1	VALVE BLOCK COVER
13	AE080012	1	CENTER LOCKING LEFT
14	AE080166	2	MOUNTING PLATE REAR
15	AE080392	1	EMERGENCY HANDLE VALVE BLOCK
16	AE080065	1	CYLINDERBRIDGE WEAR PLATE
17	N0494005	2	BUFFER ϕ 70-25 M12x35
18	45011410	24	BOLT M14X40 DIN-933
19	45110114	48	WASHER DIN-125-A-15
20	45081415	24	NUT SELFLOCK



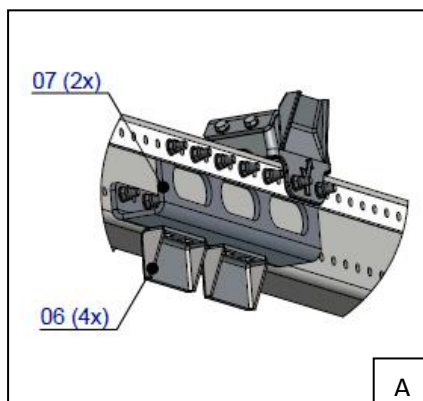
SUBFRAME MOUNTING FIXED

 Part
 AE080701

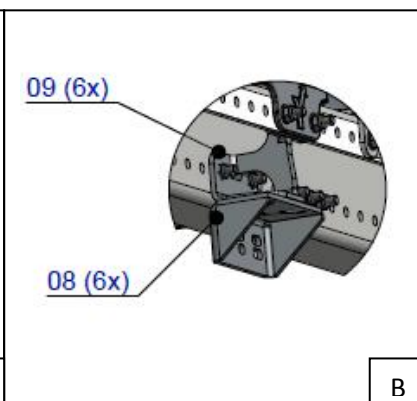
1/1



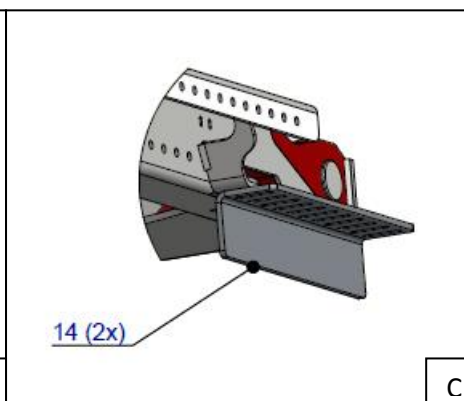
Pos.	Part Number	Q.ty	Description
01	AE080071	2	CONTAINER SUPPORT O:250 LOW LIP PLATE ASSY
02	AE080070	2	CONTAINER SUPPORT O:250 HIGH LIP PLATE ASSY
03	AE080140	1	CROSSMEMBER ASSY
04	AE080072	2	CONTAINER SUPPORT O:250 HIGH LIP ROLL ASSY
05	AE080112	1	CENTER LOCKING RIGHT
06	AE080159	4	CHASSIS BRACKET
07	AE080047	2	FOLDED PLATE T=8mm
08	AE080167	6	UNI BRACKET CHASSIS WELD ASSY
09	AE080160	6	MULTIFUNCTIONAL SUBFRAME SUPPORT ASSY
10	AE080043	1	VALVE BLOCK SUPPORT ASSY
11	P1260500	1	RUBBER STRAP
12	AE080090	1	VALVE BLOCK COVER
13	AE080012	1	CENTER LOCKING LEFT
14	AE080166	2	MOUNTING PLATE REAR
15	AE080392	1	EMERGENCY HANDLE VALVE BLOCK
16	AE082065	1	WEAR PLATE
17	N0494005	2	RUBBER BUFFERø70-25 M12x35
18	45011410	24	BOLT M14X40 DIN-933
19	45110114	48	WASHER DIN-125-A-15
20	45081415	24	NUT SELFLOCK



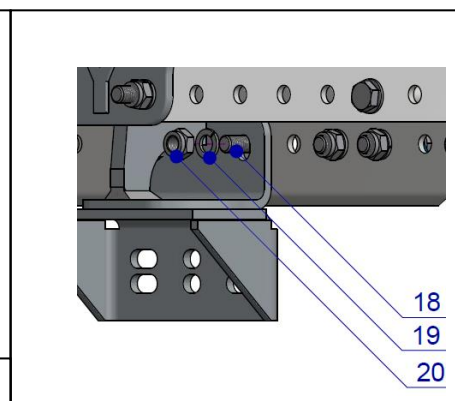
A



B



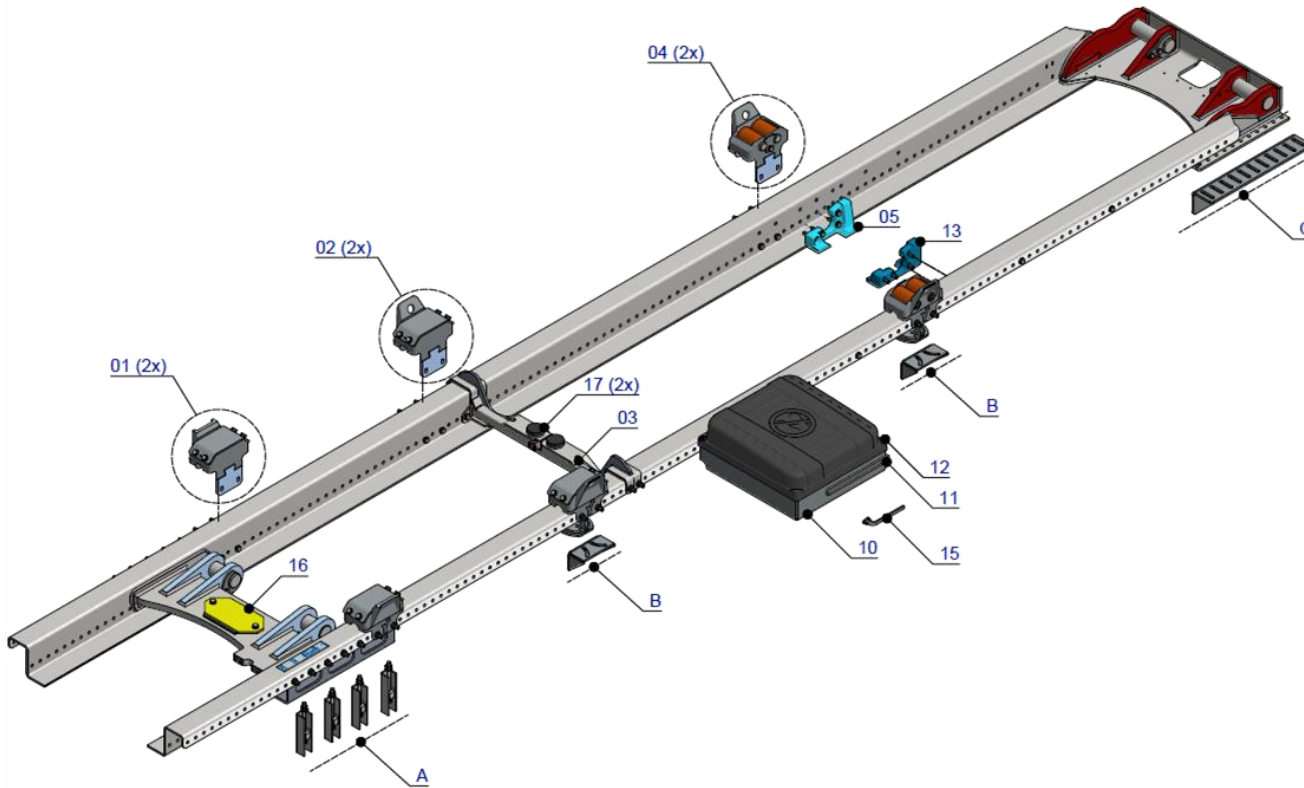
C


 18
 19
 20

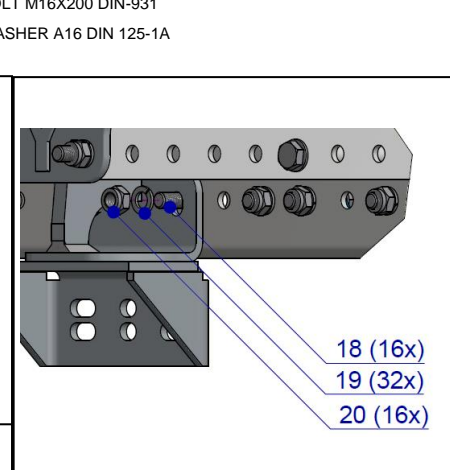
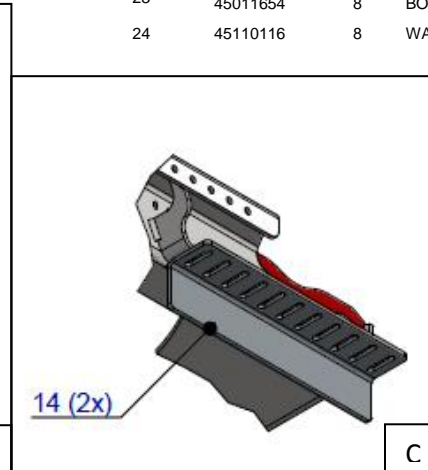
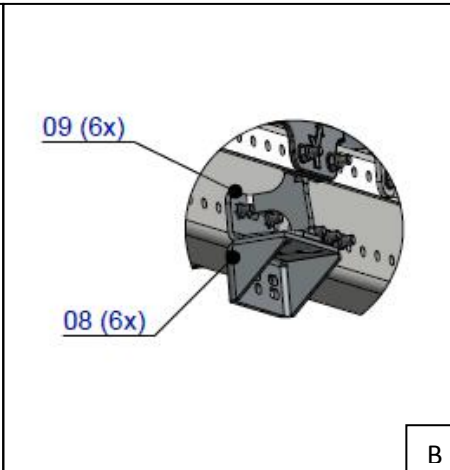
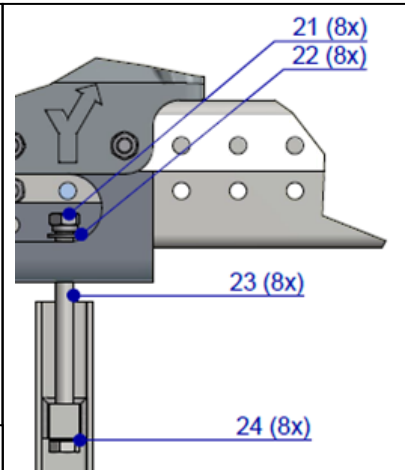
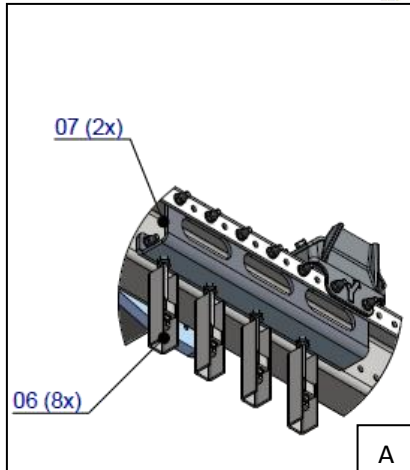
SUBFRAME MOUNTING FLEXIBLE

 Part
 AE080702

1/1



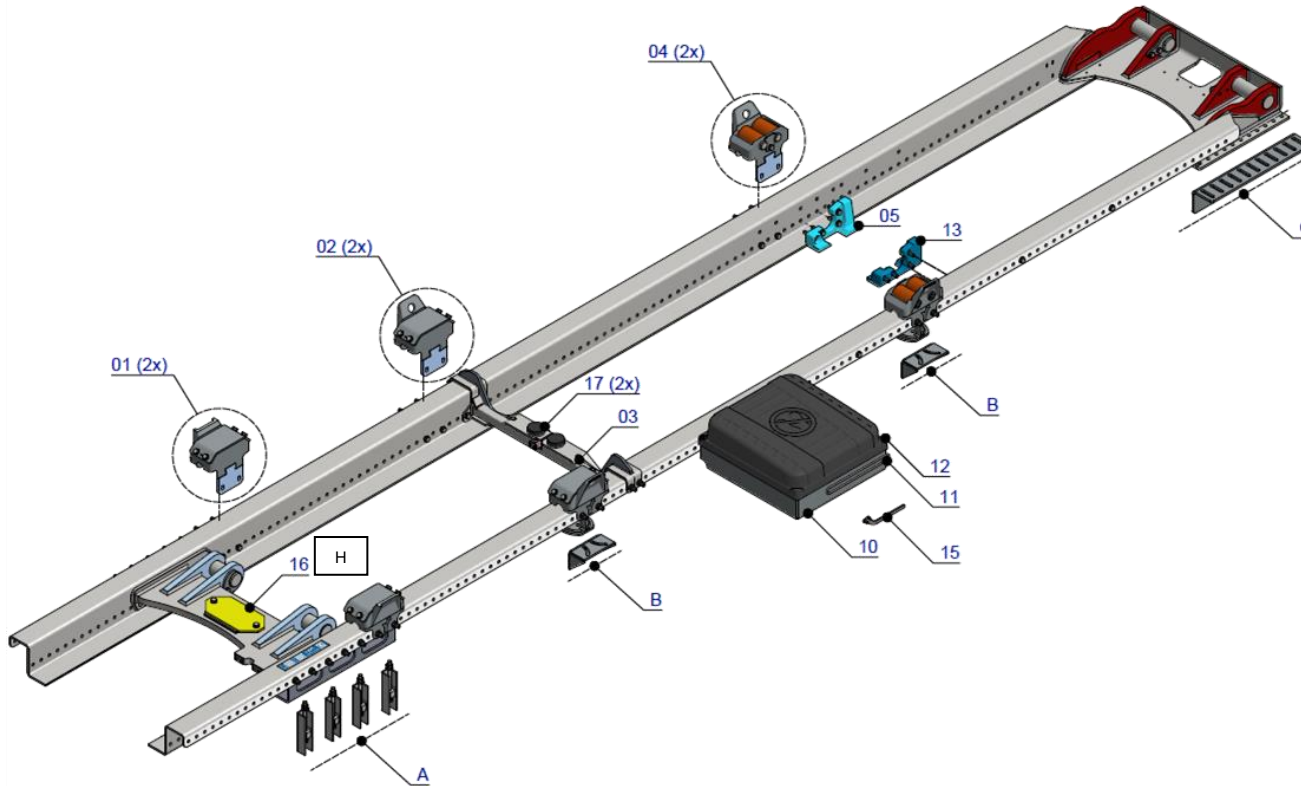
Pos.	Part Number	Q.ty	Description
01	AE080071	2	CONTAINER SUPPORT O:250 LOW LIP PLATE ASSY
02	AE080070	2	CONTAINER SUPPORT O:250 HIGH LIP PLATE ASSY
03	AE080140	1	CROSSMEMBER ASSY
04	AE080072	2	CONTAINER SUPPORT O:250 HIGH LIP ROLL ASSY
05	AE080112	1	CENTER LOCKING RIGHT
06	AE080107	8	TIE-ROD CHASSIS BRACKET U-PROFILE
07	AE080047	2	FOLDED PLATE
08	AE080145	6	UNI BRACKET CHASSIS WELD ASSY
09	AE080160	6	MULTIFUNCTIONAL SUBFRAME SUPPORT ASSY
10	AE080044	1	VALVE BLOCK SUPPORT
11	P1260500	1	RUBBER STRAP
12	AE080090	1	VALVE BLOCK COVER
13	AE080012	1	CENTER LOCKING LEFT
14	AE080166	2	MOUNTING PLATE REAR
15	AE080392	1	EMERGENCY HANDLE VALVE BLOCK
16	AE080065	1	CYLINDERBRIDGE WEAR PLATE
17	N0494005	2	BUFFER ø70-25 M12x35
18	45011410	16	BOLT M14X40 DIN-933
19	45110114	32	WASHER DIN-125-A-15
20	45081415	16	SELF LOCK NUT M14 DIN 985 8.8Zp
21	45081615	8	BOLT M16 DIN985 8.8Zp
22	45110216	8	SPRING WASHER M16 DIN127B
23	45011654	8	BOLT M16X200 DIN-931
24	45110116	8	WASHER A16 DIN 125-1A



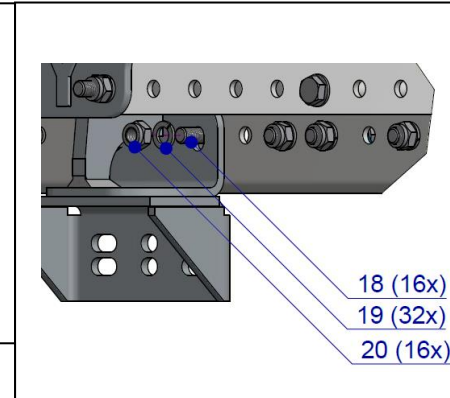
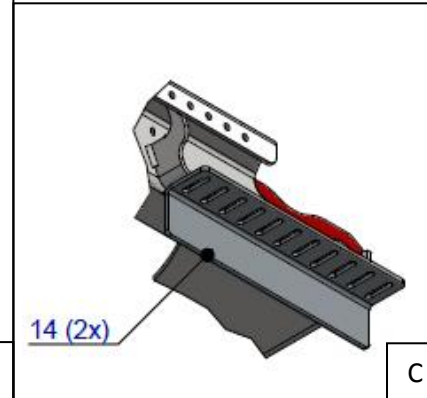
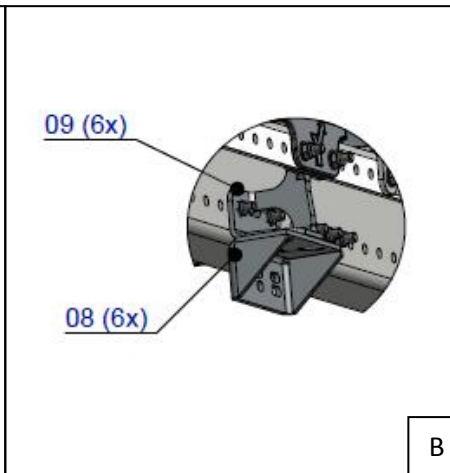
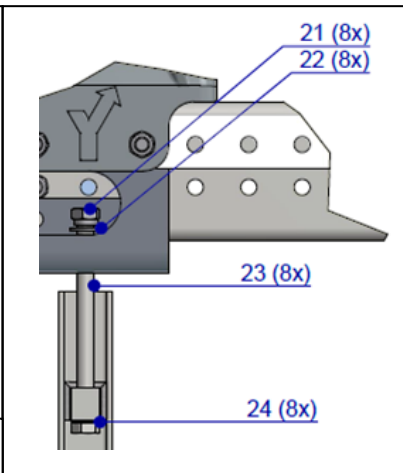
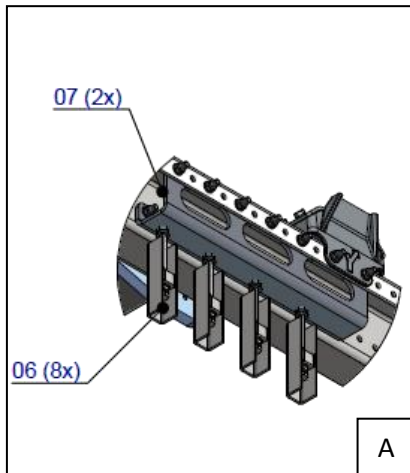
SUBFRAME MOUNTING FLEXIBLE

Part
AE080702

1/1



Pos.	Part Number	Q.ty	Description
01	AE080071	2	CONTAINER SUPPORT O:250 LOW LIP PLATE ASSY
02	AE080070	2	CONTAINER SUPPORT O:250 HIGH LIP PLATE ASSY
03	AE080140	1	CROSSMEMBER ASSY
04	AE080072	2	CONTAINER SUPPORT O:250 HIGH LIP ROLL ASSY
05	AE080112	1	CENTER LOCKING RIGHT
06	AE080107	8	TIE-ROD CHASSIS BRACKET U-PROFILE
07	AE080047	2	FOLDED PLATE
08	AE080145	6	UNI BRACKET CHASSIS WELD ASSY
09	AE080160	6	MULTIFUNCTIONAL SUBFRAME SUPPORT ASSY
10	AE080044	1	VALVE BLOCK SUPPORT
11	P1260500	1	RUBBER STRAP
12	AE080090	1	VALVE BLOCK COVER
13	AE080012	1	CENTER LOCKING LEFT
14	AE080166	2	MOUNTING PLATE REAR
15	AE080392	1	EMERGENCY HANDLE VALVE BLOCK
16	AE082065	1	WEAR PLATE
17	N0494005	2	RUBBER BUFFERø70-25 M12x35
18	45011410	16	BOLT M14X40 DIN-933
19	45110114	32	WASHER DIN-125-A-15
20	45081415	16	SELF LOCK NUT M14 DIN 985 8.8Zp
21	45081615	8	BOLT M16 DIN985 8.8Zp
22	45110216	8	SPRING WASHER M16 DIN127B
23	45011654	8	BOLT M16X200 DIN-931
24	45110116	8	WASHER A16 DIN 125-1A





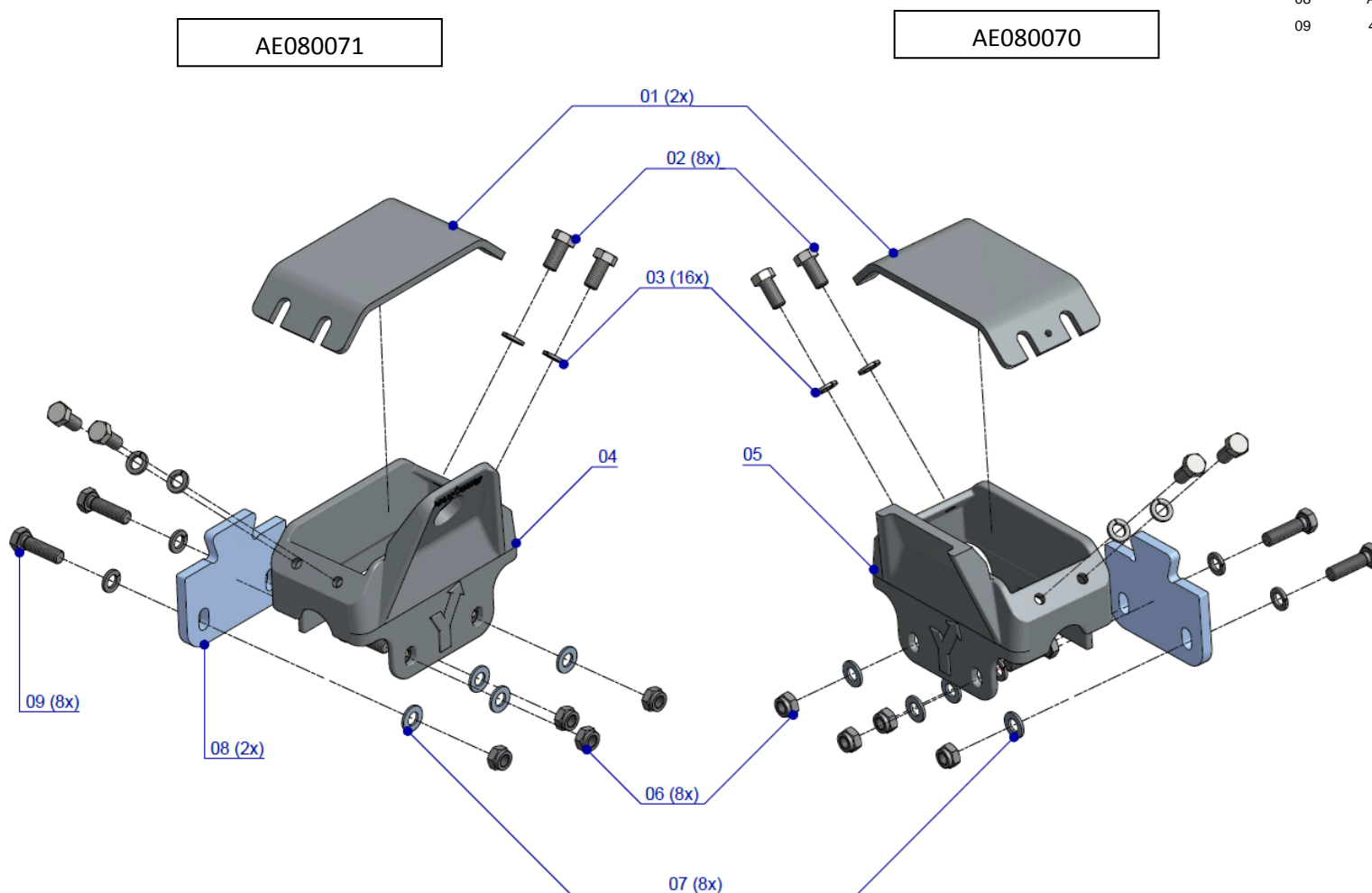
SUBFRAME MOUNTING FLEXIBLE	Part	
	AE080702	1/1

TITAN TYPE	49	51	53	55	57	60	62	65
	AE080049							
WELD ASSY	AE089040		AE083040				AE084040	

CONTAINER SUPPORT HIGH AND LOW LIP

Part
AE080070/AE080071
1/1

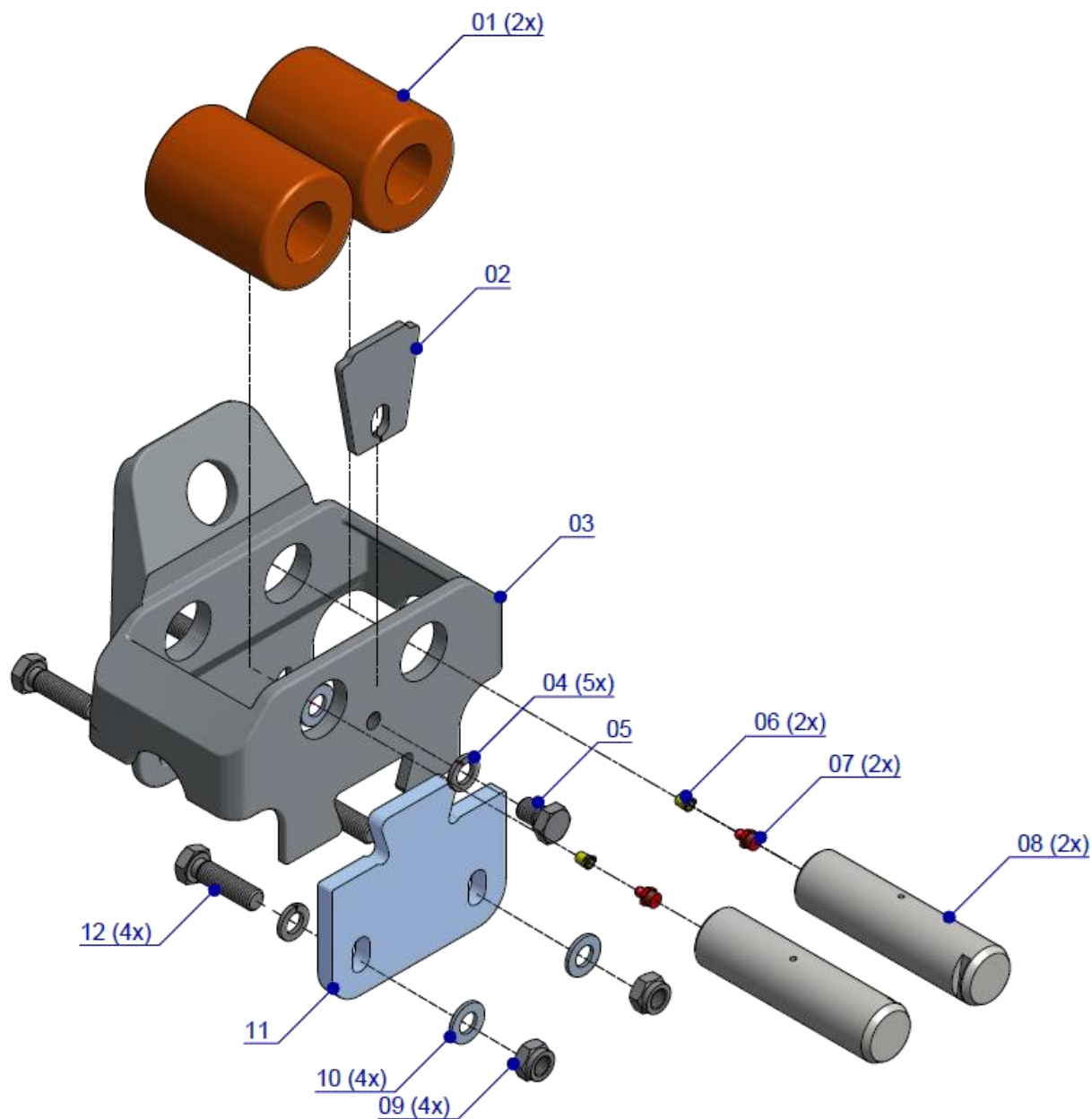
Pos.	Part Number	Q.ty	Description
01	AE080084	1	WEAR PLATE
02	45011406	8	BOLT HEX M14X30 DIN933 8.8 Zn
03	45110214	16	SPRING WASHER M14 DIN 127 Zp
04	AE090095	1	HOUSING MACHINED CS HIGH
05	AE090097	1	HOUSING MACHINED CS LOW
06	45081415	8	LOCK NUT M14 DIN985
07	45110114	8	PLAIN WASHER M14 DIN125-1A
08	AE080048	2	DOVETAIL PLATE
09	45011414	8	HEX-HEAD BOLT M14x50 DIN933



CONTAINER SUPPORT ROLL HIGH LIP

Part
AE080072

1/1



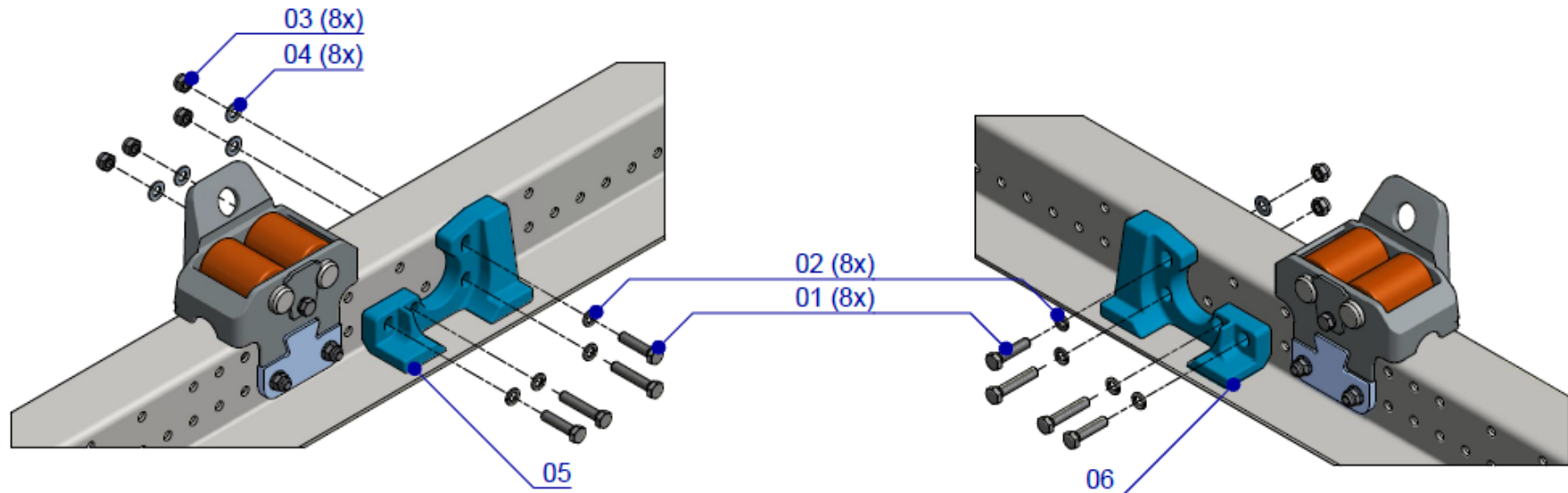
Pos.	Part Number	Q.ty	Description
1	AE081666	2	ROLL MACHINED
2	AE080085	1	LOCKING PLATE
3	AE090099	1	HOUSING MACHINED CS ROLL
4	45110214	5	SPRING WASHERM14 DIN 127 Zp
5	45011402	1	BOLT DIN-933-M14X20
6	59500180	2	GREASE NIPPLE CAP
7	37200002	2	GREASE NIPPLE G1/8" DIN71412 A
8	AE080083	2	SHAFT ROLL
9	45081415	4	LOCK NUT M14 DIN985
10	45110114	4	PLAIN WASHER M14 DIN125-1A
11	AE080048	1	DOVETAIL PLATE
12	45011414	4	HEX-HEAD BOLT M14x50 DIN933

CENTER LOCKING

Part
AE083040

1/1

Pos.	Part Number	Q.ty	Description
01	3010416	8	HEX. HEAD BOLT M14x75 DIN933
02	45110214	8	SPRING WASHER M14 DIN127
03	45081415	8	LOCK NUT M14 DIN985
04	45110114	8	PLAIN WASHER M14 DIN125-1A
05	AE080012	1	CENTER LOCK RIGHT MACHINED
06	AE080112	1	CENTER LOCK LEFT MACHINED

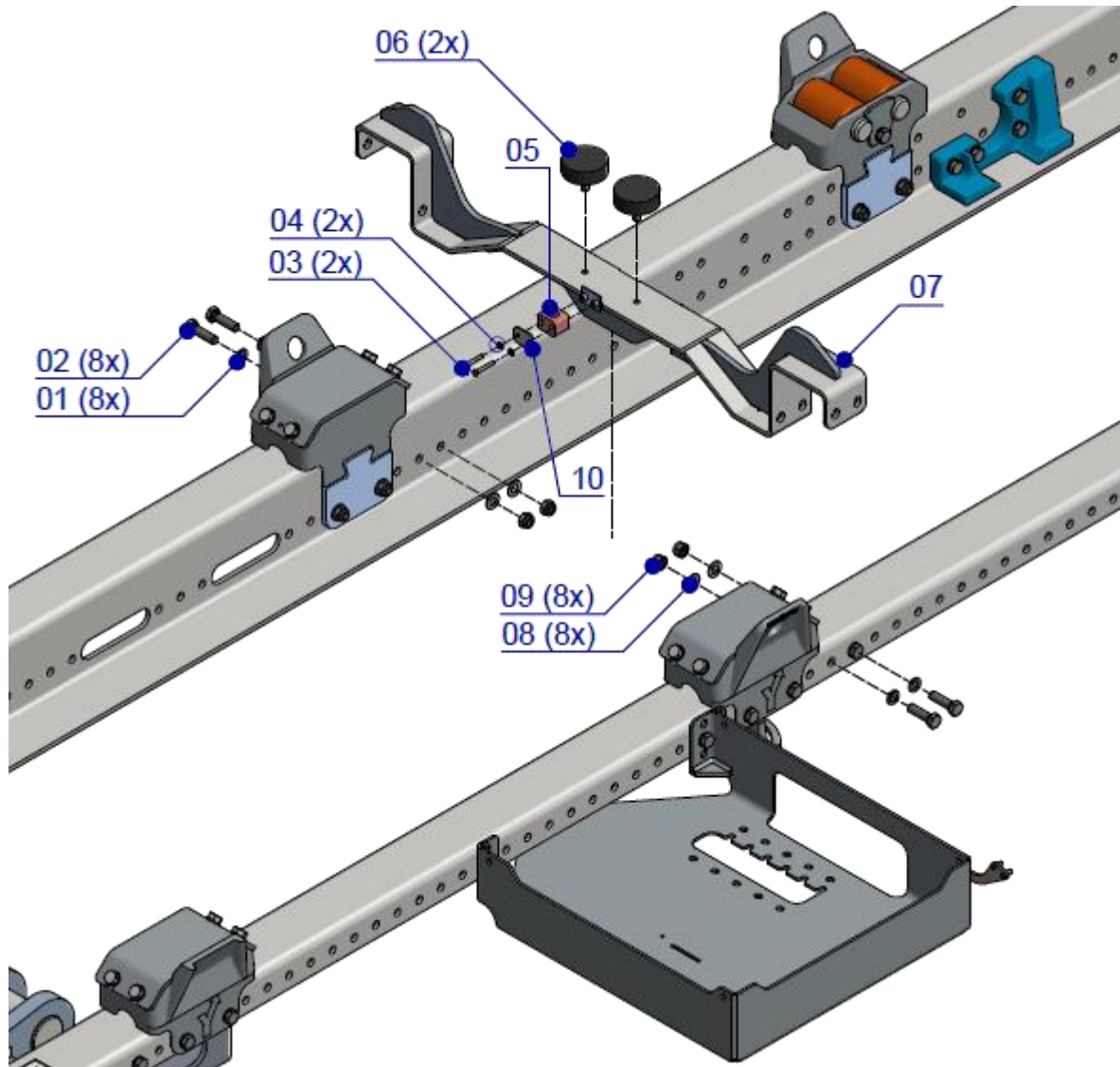


CROSSMEMBER

 Part
 AE080140

1/1

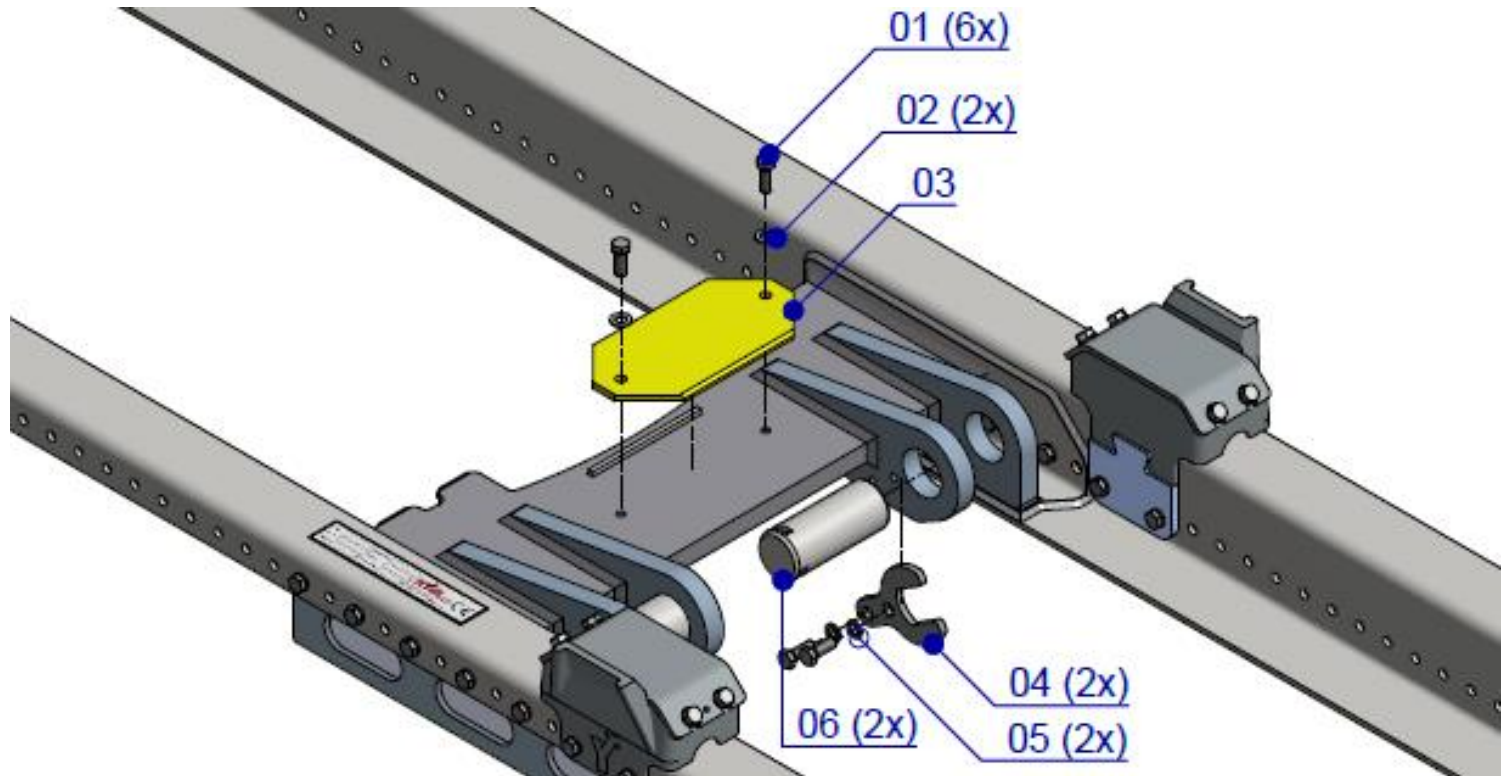
Pos.	Part Number	Q.ty	Description
01	45110214	8	SPRING WASHER M14 DIN 127
02	45011414	8	HEX-HEAD BOLT M14x50 DIN933
03	45010624	2	HEX-HEAD BOLT M6x40DIN-933
04	45110206	2	SPRING WASHER M6 DIN 127
05	37010018	1	PIPE CLAMP Ø18x1
06	N0494005	2	BUFFER
07	AE070038	1	CROSSMEMBER WELDMENT
08	45110114	8	PLAIN WASHER M14 DIN125-1A
09	45081415	8	LOCK NUT M14 DIN985
10	37020016	1	PIPE CLAMP 18X1 TOP PLATE



CYLINDER BRIDGE

Part	
AE080065	1/1

Pos.	Part Number	Q.ty	Description
01	45011410	6	HEX HEAD BOLT M14x40 DIN933
02	45110114	3	PLAIN WASHER M14 DIN125-1A
03	AE080065	1	WEAR PLATE
04	AE080170	2	LOCKING PLATE UNIVERSAL
05	45110214	4	SPRING WASHER M14 DIN 127
06	AE080066	2	SHAFT CYLINDER BRIDGE



CYLINDER BRIDGE

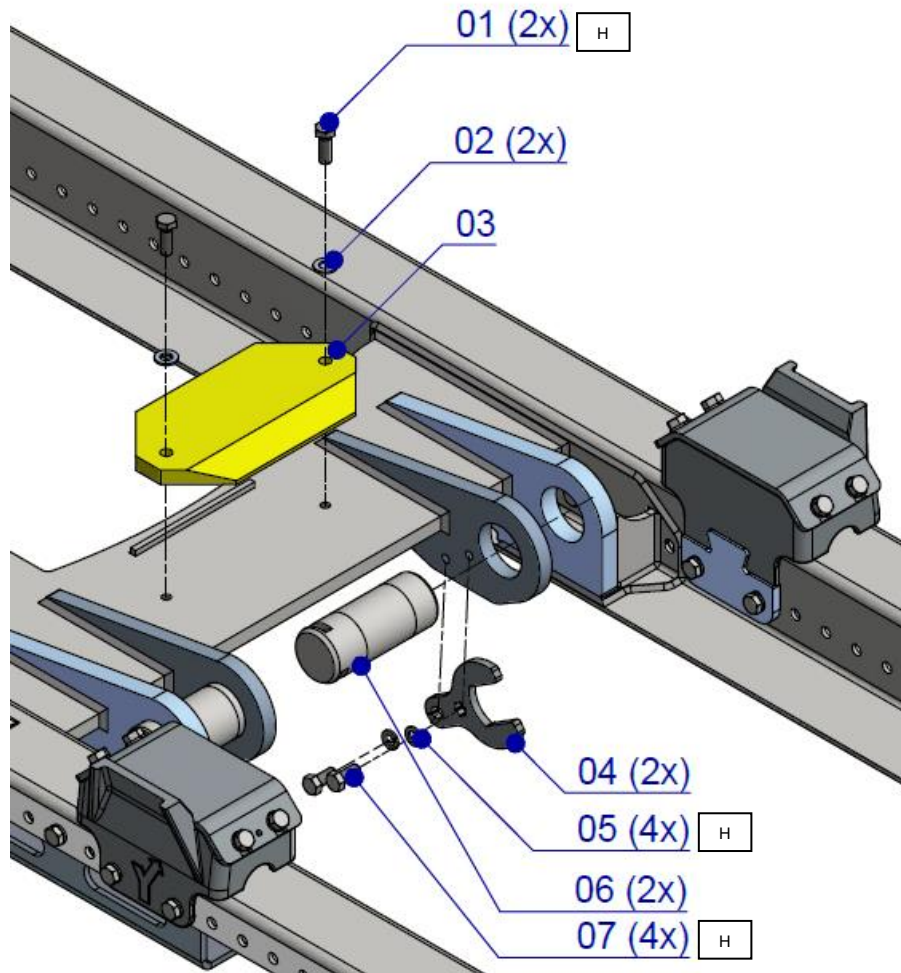
H

Part

AE082065

1/1

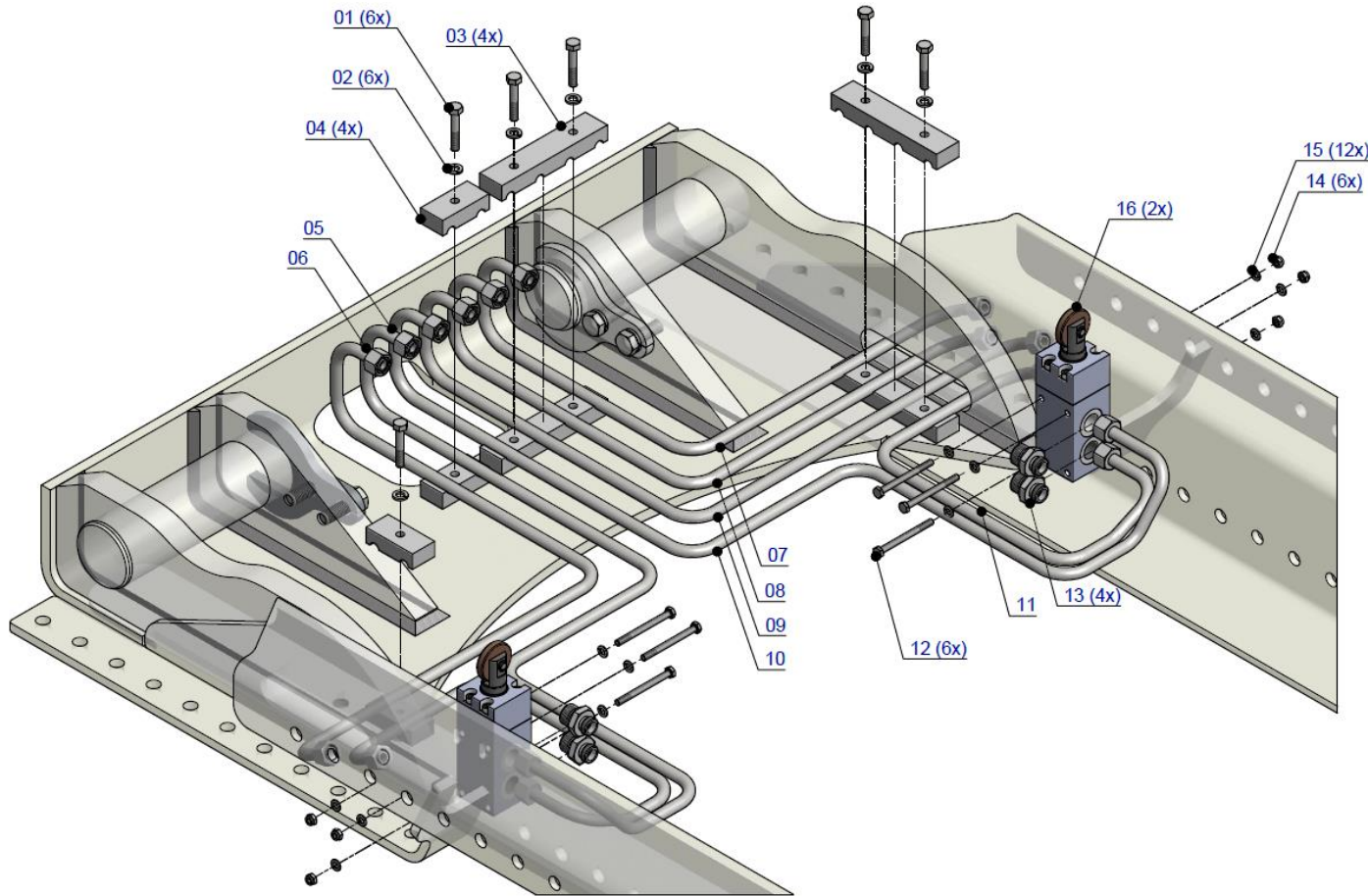
Pos.	Part Number	Q.ty	Description
01	45011414	2	HEX HEAD BOLT M14x50 DIN933
02	45110114	3	PLAIN WASHER M14 DIN125-1A
03	AE082065	1	WEAR PLATE
04	AE080170	2	LOCKING PLATE UNIVERSAL
05	45110214	4	SPRING WASHER M14 DIN 127
06	AE080066	2	SHAFT CYLINDER BRIDGE
07	45011410	4	HEX HEAD BOLT M14x40 DIN933



SUBFRAME-HYDRAULICS

Part
AE083040

1/1

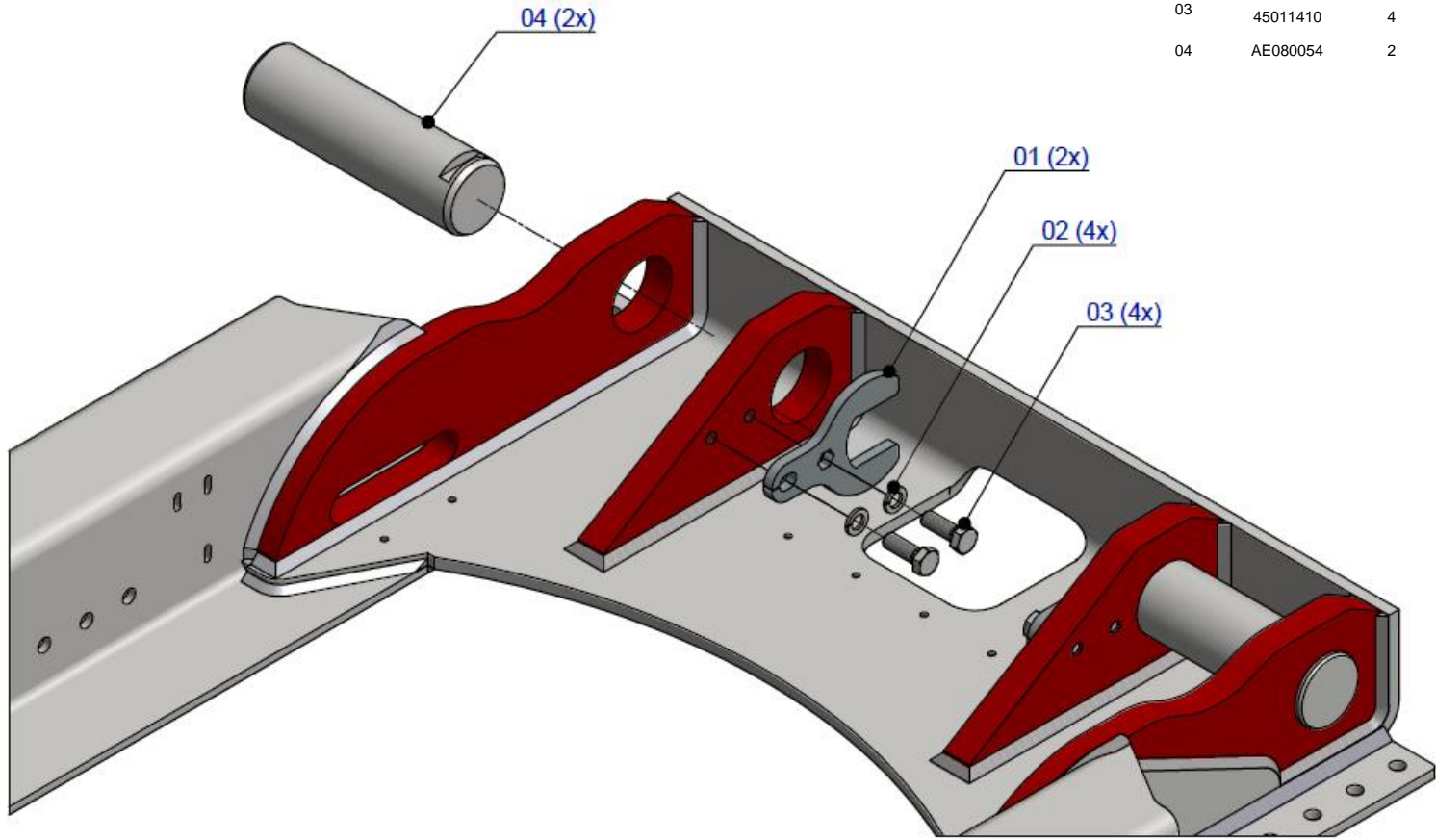


Pos.	Part number	Q.ty	Description
01	45010824	6	BOLT HEX M8X45 DIN 931 8.8 Zn
02	45110208	6	SPRING WASHER M8 DIN 127 Zp
03	AE080279	4	PIPE CLAMP 4X12MM
04	AE080317	4	PIPE CLAMP 2X12MM
05	AE080973	1	PIPE Ø12X1.5 GALVANISED
06	AE080976	1	PIPE Ø12X1.5 GALVANISED
07	AE080212	1	PIPE Ø12X1.5 GALVANISED
08	AE080210	1	PIPE Ø12X1.5 GALVANISED
09	AE080208	1	PIPE Ø12X1.5 GALVANISED
10	AE080206	1	PIPE Ø12X1.5 GALVANISED
11	AE080204	1	PIPE Ø12X1.5 GALVANISED
12	45010636	6	HEX-HEAD BOLT M6X70 DIN931 8.8
13	26120220	4	ADAPTOR HP-00-SW-12LOT-1/2"BSPOT
14	45080615	6	HEX NUT LOCKING NUT M6 DIN985
15	45110206	12	SPRING WASHER M6 DIN 127 ZP
16	31020100	2	2/2 VALVE 1/2"BSP NC, ROLLER OPERATED

TIPPING BRIDGE

Part	
AE080054	1/1

Pos.	Part Number	Q.ty	Description
01	AE080170	2	AXLE UNIVERSAL LOCKING PLATE
02	45110214	4	SPRING WASHER M14 DIN 127 Zp
03	45011410	4	BOLT M14x40 DIN-933
04	AE080054	2	TIPPING PIVOT AXIS

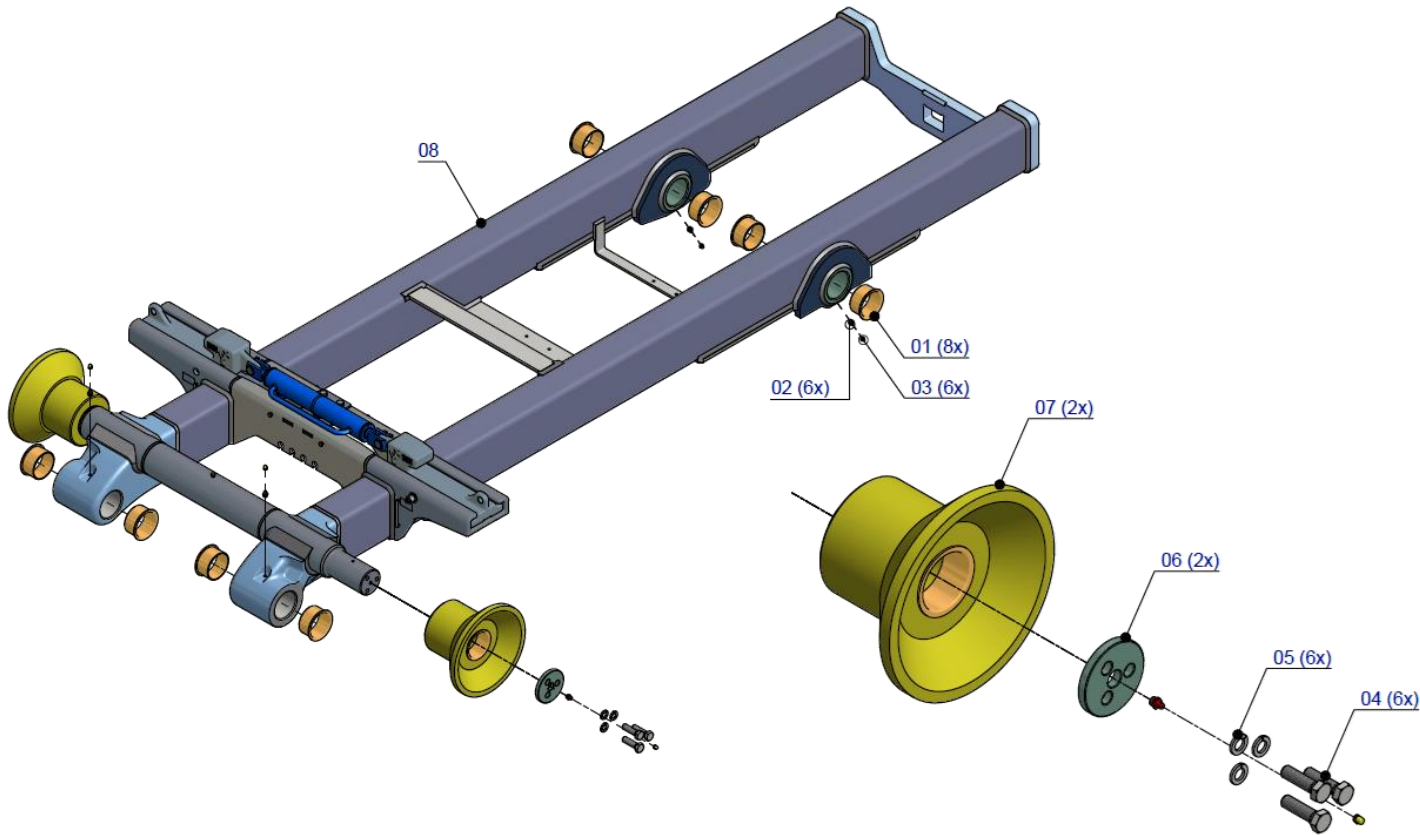


TIPPING FRAME

Part	
AE082120	1/1

Pos.	Part Number	Q.ty	Description
------	-------------	------	-------------

01	36207560	8	BEARING
02	37200002	6	GREASE NIPPLE - G1/8"
03	37200002	6	GREASE NIPPLE CAP
04	45011410	6	BOLT M14x40 DIN-933
05	45110214	6	SPRING WASHER M14 DIN 127
06	AE080183	2	REAR ROLLER LOCKING PLATE
07	06090001	2	ROLL-ON ROLL
07*	06090201	4	BEARING BUSH FOR ROLL
08	SEE TABLE	1	TIPPING FRAME

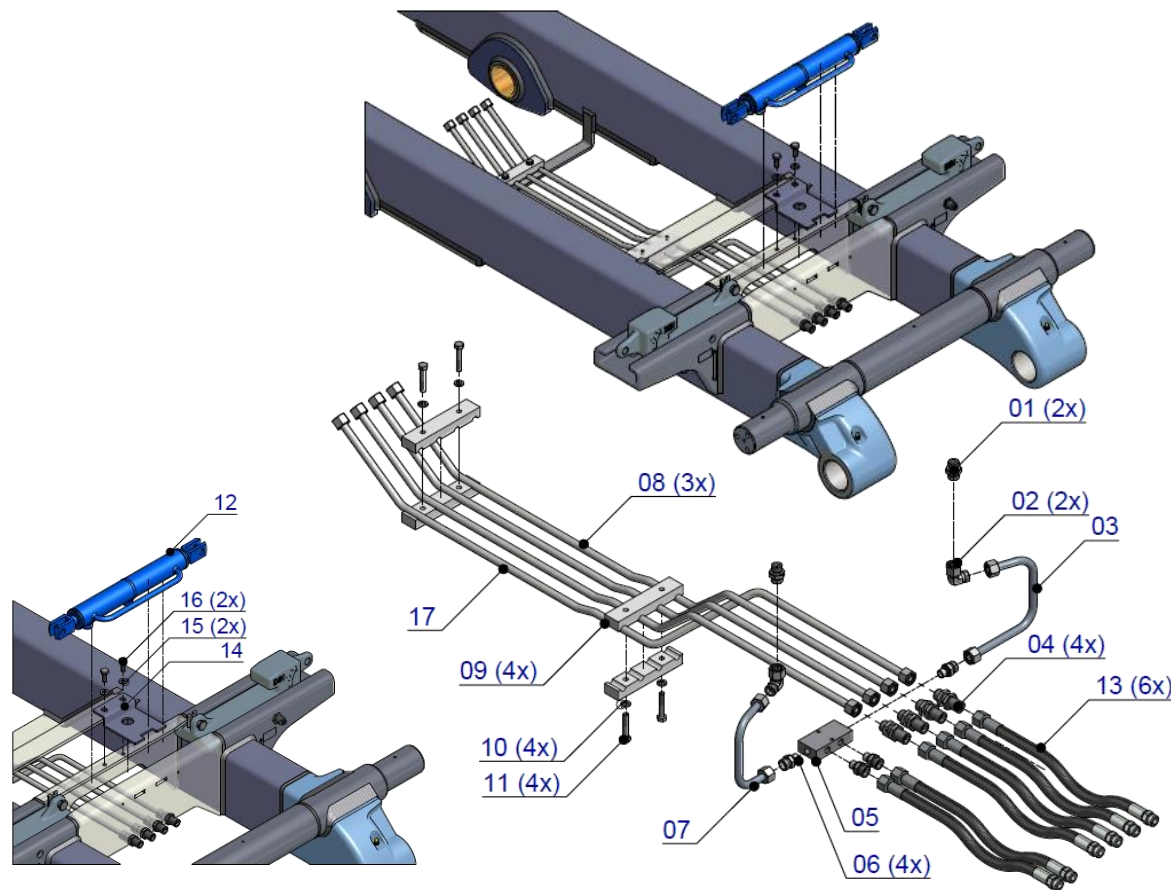


20-22									
POS.	LENGTH	49	51	53	55	57	60	62	65
08	TIPPING FRAME	AE089121			AE081121			AE084121	

TIPPING FRAME-HYDRAULICS

 Part
 AE081120

1/1



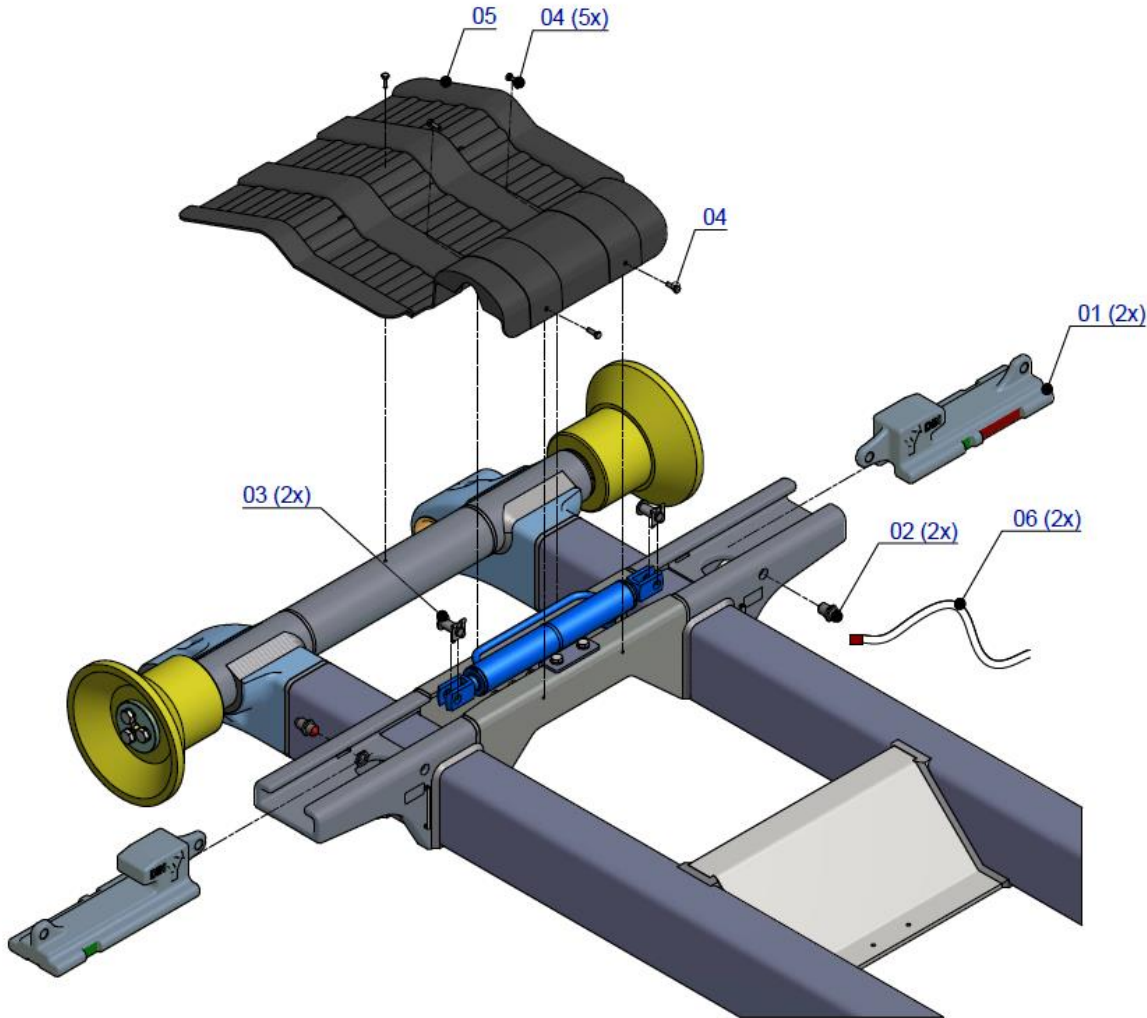
Pos.	Part number	Q.ty	Description
01	26120215	2	ADAPTOR HP-00-SW-3/8" BSPOT-12LOT
02	26121900	2	ADAPTOR HP-90-SW
03	AE080290	1	PIPE Ø12X1.5 GALVANISED
04	26121600	2	BULKHEAD ADAPTOR HP-00-SW-12LOT-12LOT
05	31000210	1	CHECK VALVE DOUBLE 1/4" BSP
06	26120210	4	ADAPTOR HP-00-SW
07	AE080288	1	PIPE Ø12X1.5 GALVANISED
08	SEE TABLE	2	PIPE Ø12X1.5 GALVANISED
09	AE080279	4	PIPE CLAMP 4X12MM
10	45110208	4	SPRING WASHER M8 DIN 127 ZP
11	45010824	4	BOLT HEX M8X45 DIN 931 8.8 Zn
12	09030421	1	LOCKING CYLINDER
13	AE080296	4	HYDRAULIC HOSE 2W-DN10-3/8" WP:350 bar
14	AE081141	1	FOLDED PLATE
15	45110110	2	WASHER M10 DIN125A ZP
16	45011012	2	HEX. HEAD BOLT M10x25 DIN 933 8.8 Zn
17	AE080981	1	PIPE Ø12X1.5 GALVANISED

		0-22							
POS.	SYSTEM	49	51	53	55	57	60	62	65
TUBING KIT			AE080399			AE080504			AE080353
08	PIPE Ø12X1.5 GALVANISED		AE080400			AE080505			AE080314

COMBILOCK

Part	
AE082120	1/1

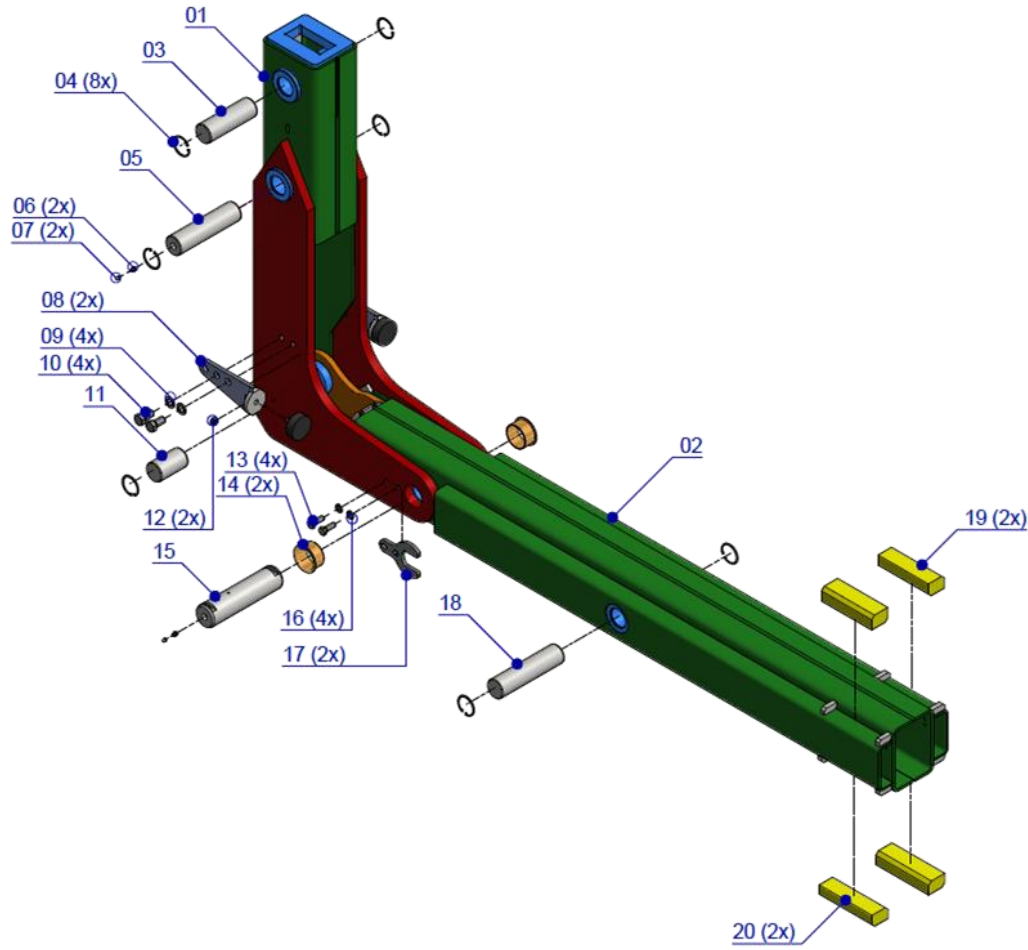
Pos.	Part Number	Q.ty	Description
01	AE080004	2	COMBI LOCK CLAW
02	09228168V	4	INDUCTIVE-SENSOR
03	AE080154	2	COMBI LOCK CLAW AXLE
04	N0021603	5	TAPTITE M6X16-ST-DIN 7500 GEOMET 321
05	AE080091	1	TIP FRAME PLASTIC COVER
06	35000015	2	CABLE FOR PROXIMITY SWITCH-M12





MAST

Part	
AE081624	1/1



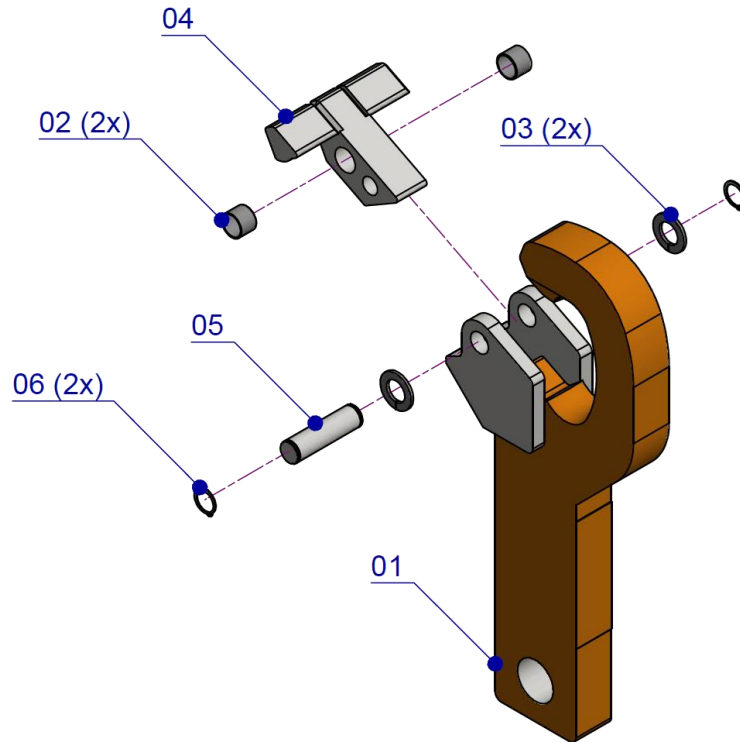
Pos.	Part number	Q.ty	Description
01	AE080428	1	SK MAST VERTICAL BEAM ASSY
02	SEE TABLE	1	MAST WELD ASSY
03	AE080444	1	SK HOOK AXLE
04	36010120	8	INTERNAL CIRCLIP
05	AE080445	1	SK KNUCKLE TOP AXLE
06	AE080120	2	GREASE NIPPLE - G1/8"
07	59500180	2	GREASE NIPPLE CAP
08	AE090320	2	MAST BUFFER BRACKET WELD ASSY
09	45110220	4	SPRING WASHER M20 DIN127B
10	45012004	4	HEX-HEAD BOLT M20x40 DIN933
11	AE080446	1	SK KNUCKLE BOTTOM AXLE
12	45081215	2	LOCK NUT M12 DIN985
13	45011410	4	HEX HEAD BOLT M14x40 DIN933
14	6090201	2	FLANGED BEARING
15	AE080443	1	SK KNUCKLE CYLINDER AXLE
16	45110214	4	SPRING-WASHER M14 DIN127
17	AE080170	2	AXLE UNIVERSAL LOCKING PLATE
18	08020001	1	ROUND BAR
19	08050009	2	TOP SLIDING BLOCK
20	AE081704	2	BOTTOM SLIDING BLOCK

20-22									
POS.	LENGTH	49	51	53	55	57	60	62	65
02	MAST WELD ASSY	AE081601	AE081609	AE081617	AE081625	AE081630	AE081635	AE081640	AE081645

PICKUP HOOK (BEFORE 04/2016)

Part	
AE081599	1/1

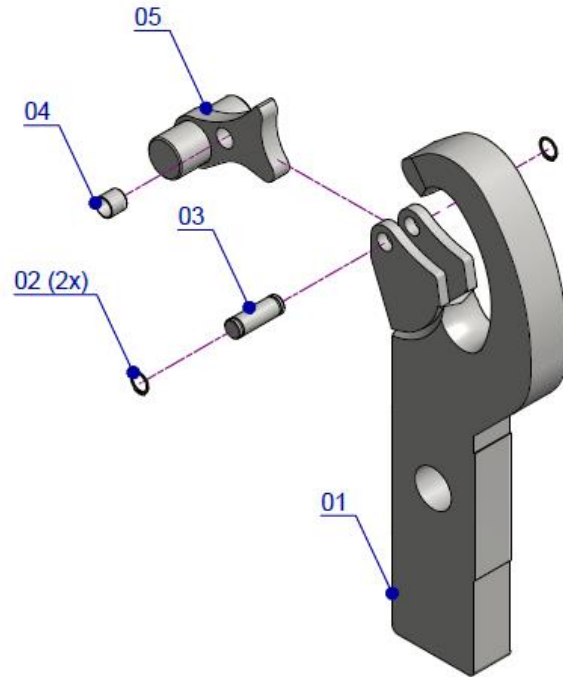
Pos.	Part Number	Q.ty	Description
01	SEE TABLE	1	BASEPLATE WELD
02	H0003744	2	BEARING BUSH D34xd30xl25
03	H0004354	2	RING D52xd30xt4
04	DH0010341	1	DROPLOCK SK TEMPORARY
05	AE082307	1	LOCKER AXLE
06	36000070	2	CIRCLIP



POS.	HEIGHT	1420	1450	1570
01	BASEPLATE WELD	AE082313	AE082314	AE082436

PICKUP HOOK (AFTER 04/2016)	Part	
	AE081933	1/1

Pos.	Part Number	Q.ty	Description
01	SEE TABLE	1	BASEPLATE WELD
02	36000050	2	CIRCLIP 25x2.1 DIN471
03	AE08500301	1	DROPLOCK AXLE
04	AE08500601	1	BEARING BUSH D28xd25xL25
05	AEH0002933	1	DROPLOCK

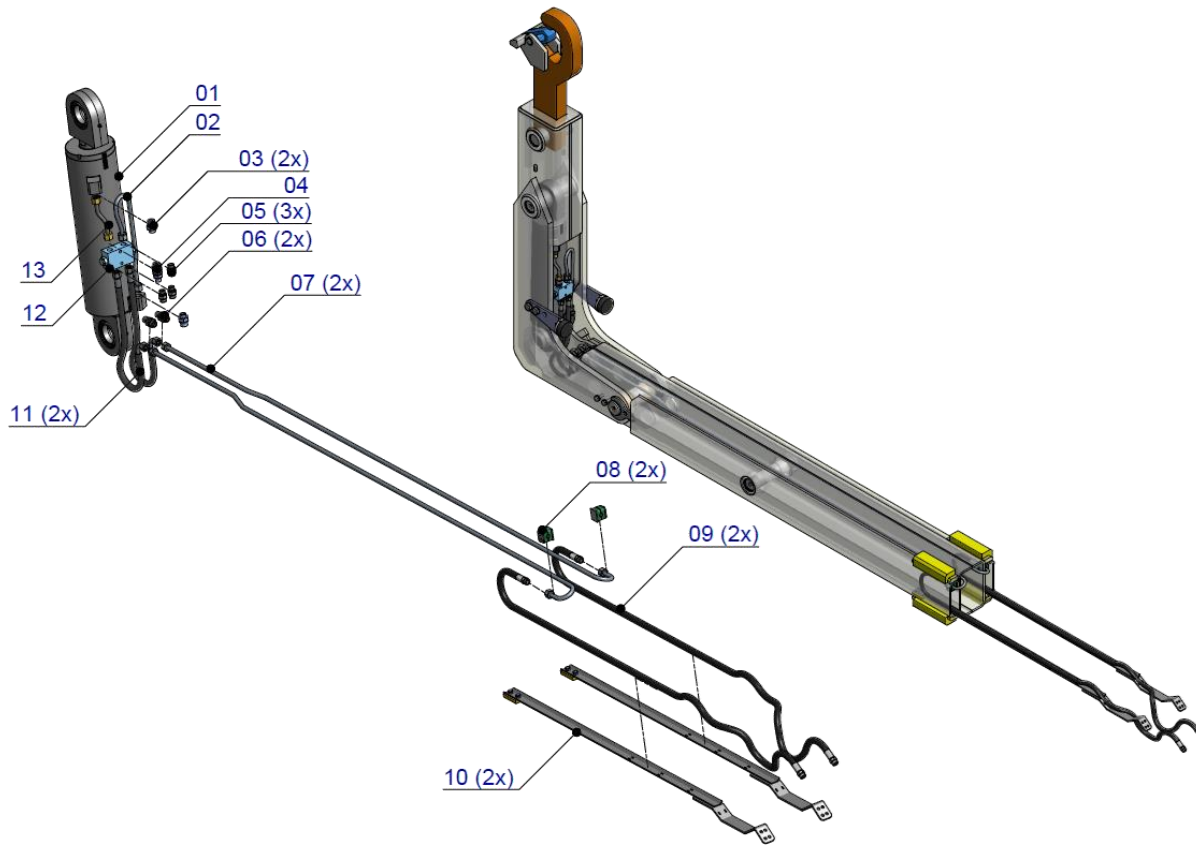


POS.	HEIGHT	1420	1450	1570
01	BASEPLATE WELD	AE081927	AE081928	AE081929

MAST ASSEMBLY-HYDRAULICS

Part

2/1



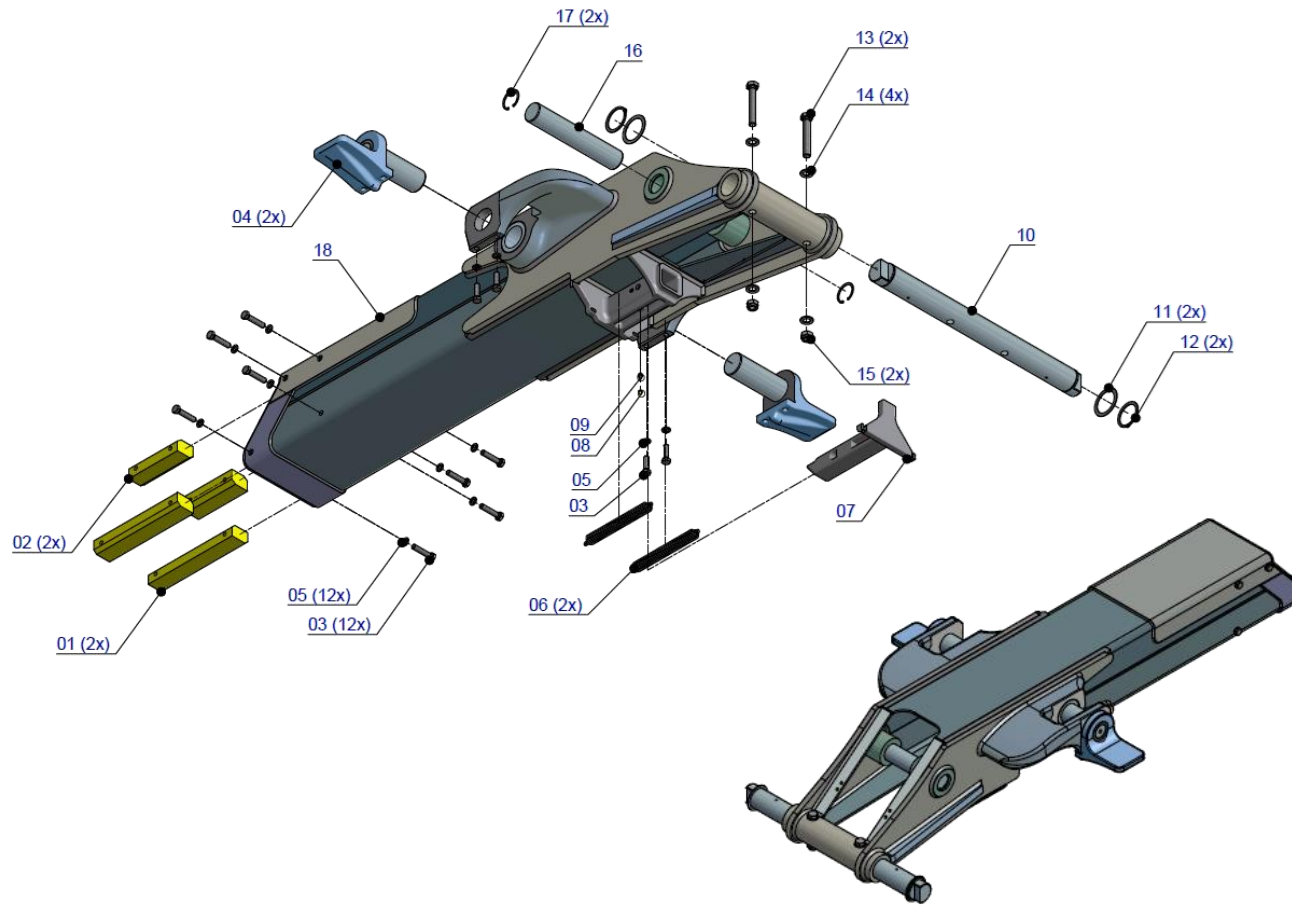
Pos.	Part Number	Q.ty	Description
01	09010505	1	NUCKLE CYLINDER
02	AE090397	1	PIPE Ø12X2.0 GALVANISED
03	26130220	2	12S_1/2
04	26130216	1	INCL. THROTLE VALVE
05	26130215	3	ADAPTOR HP-00-SW-3/8" BSPOT-12LOT
06	26121600	2	BULKHEAD ADAPTOR HP-00-SW-12LOT-12LOT
07	SEE TABLE	2	PIPE Ø12X1.5 GALVANISED
08	37010012	2	PIPE CLAMP 12X1
09	SEE TABLE	2	HYDRAULIC HOSE
10	SEE TABLE	2	HOSE GUIDE IN SLIDER
11	AE080937	2	HP10-650-3/8"-01-91-350BAR
12	NB000461	1	CHECK VALVE PILOT OPERATED
13	15030881	1	PIPE Ø12x2.0 GALVANIZED

POS	SYSTEM	49	51	53	55	57	60	62	65
TUBING KIT	20T & 22T	AE081607	AE081615	AE081621	AE090423	AE090420	AE090417	AE090414	AE090395
07		AE0801616	AE081614		AE090422	AE090419	AE090416	AE090413	AE090393
09		AE080669		AE080666	AE080667	AE080666	AE080665		AE080664
10		AE080680	AE080683	AE080686	AE080689	AE080686	AE080692		AE080695

OFFLOADING FRAME

Part
AE082020

1/2



Pos.	Part Number	Q.ty	Description
1	AE080038	2	ERTALON SLIDING BLOCK LONG
2	AE080039	2	ERTALON SLIDING BLOCK SHORT
3	45011425	12	HEX-HEAD BOLT DIN 933 - M14 x 70
4	AE080031	2	CONTAINER SUPPORT
5	45110214	12	SPRING WASHER M14 DIN 127 Zp3
6	07260801	2	OFFLOADING-LOCK SPRING
7	AE080000	1	OFFLOADING-LOCK PEN CASTING PROTO
8	59500180	1	GREASE NIPPLE CAP
9	37200002	1	GREASE NIPPLE - G1/8"
10	AE080033	1	TIPPING AXLE
11	36020456	2	SHIM-RING
12	36000140	2	CIRCLIP-DIN
13	45012033	2	HEX-HEAD BOLT M20x130 DIN933
14	45110120	2	WASHER M21 DIN 125
15	45082015	2	HEX NUT M20X2.5 DIN-934
16	AE080034	1	SLIDING AXLE
17	36010120	2	SPRING RETAINING RING
18	SEE TABLE	1	OFFLOADING FRAME

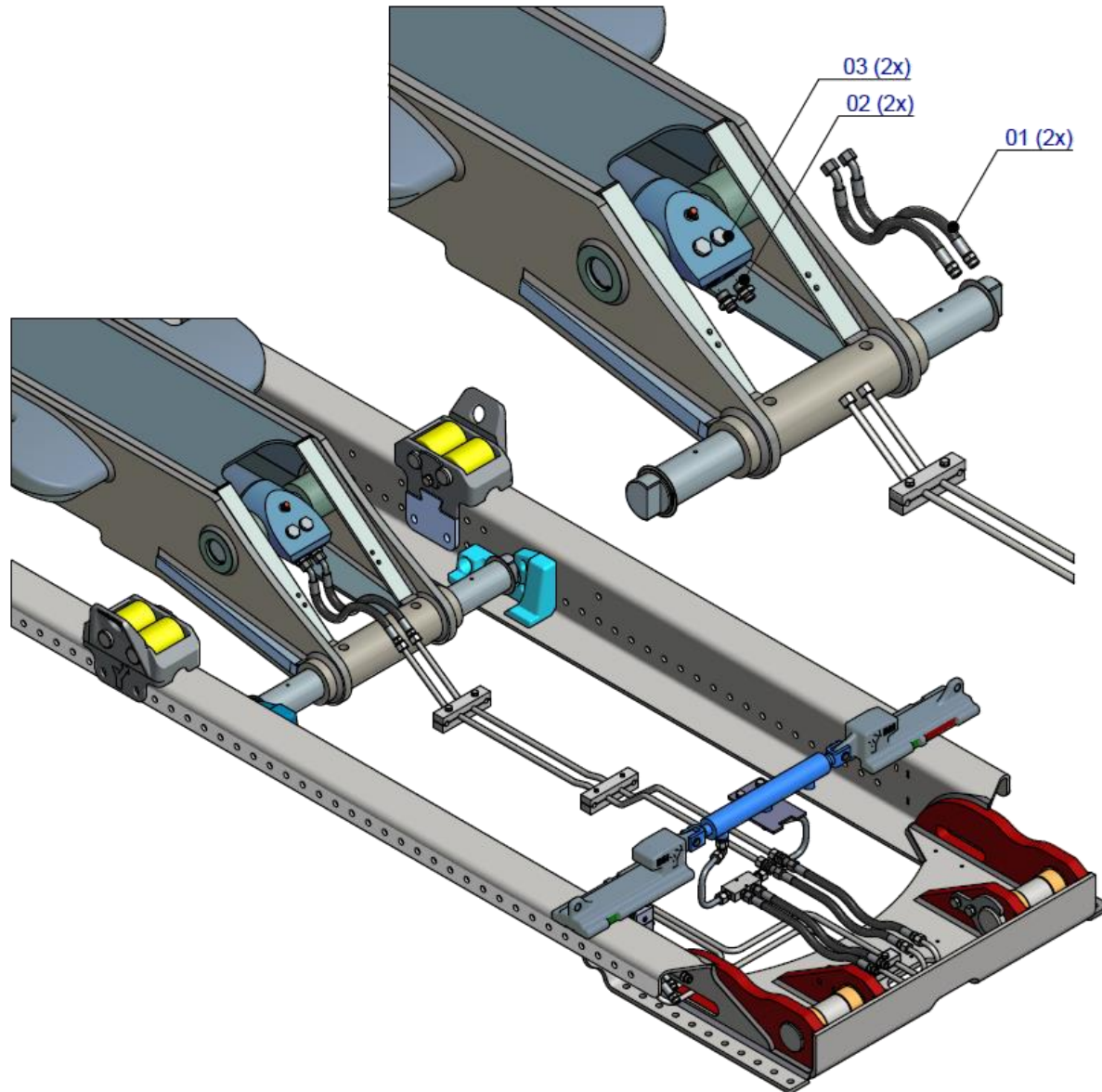
POS.	LENGTH	49	51	53	55	57	60	62	65
18	OFFLOADING FRAME	AE082021			AE084021			AE085021	

OFFLOADING FRAME-HOSE

Part
AE084020

2/2

Pos.	Part number	Q.ty	Description
01	AE080286	2	HYDRAULIC HOSE DN10-3/8" WP=350BAR
02	26120220	2	ADAPTOR HP-00-SW-12LOT-1/2"BSPOT
03	31000700	2	CHECK VALVE CARTRIDGE

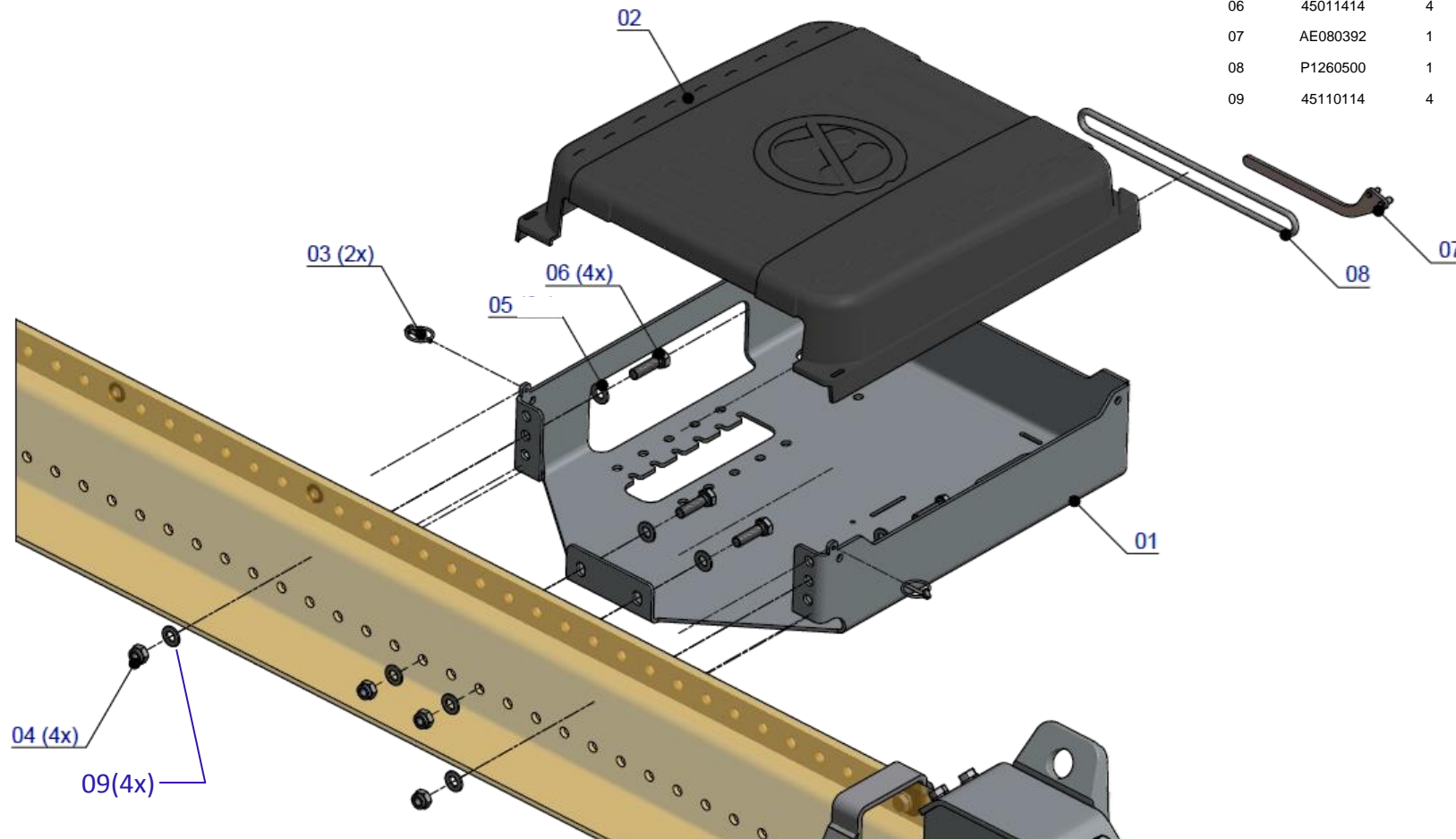


VALVE BLOCK SUPPORT

 Part
 AE080043

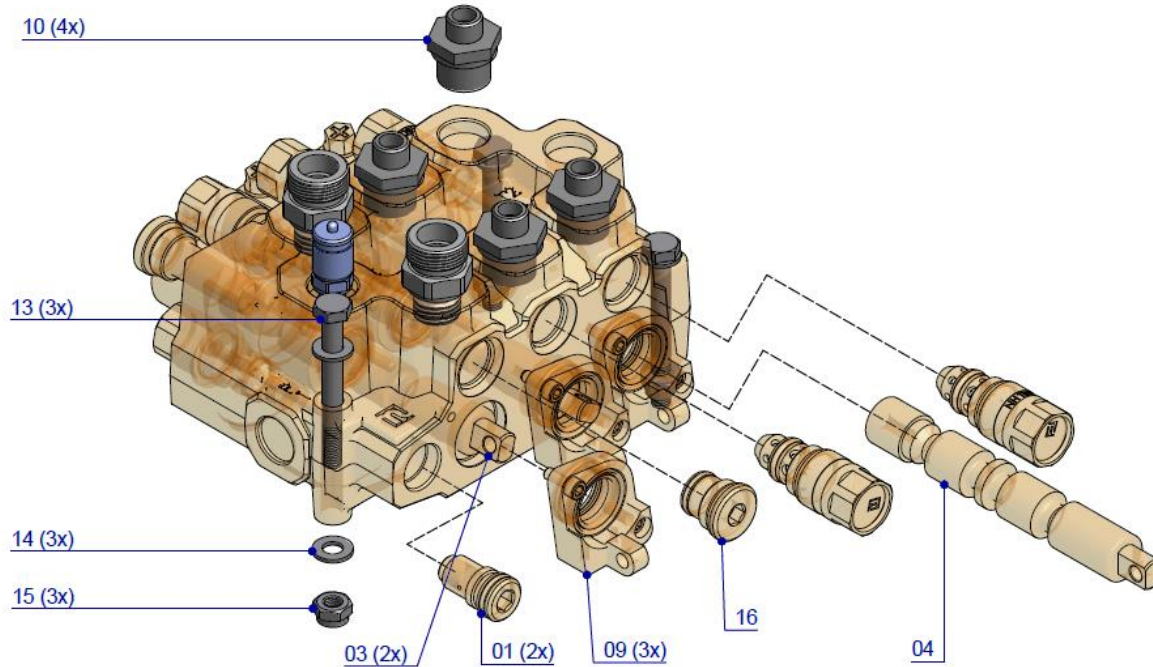
1/1

Pos.	Part Number	Q.ty	Description
01	AE080043	1	VALVE BLOCK SUPPORT
02	AE080090	1	VALVE BLOCK COVER
03	36094501	2	LOCKING PIN WITH SPRING RING
04	45081415	4	NUT SELFLOCK M14 DIN985 8.8 Zp
05	45110114	4	WASHER DIN-125-A-15
06	45011414	4	HEX-HEAD BOLT M14x50 DIN933
07	AE080392	1	EMERGENCY HANDLE VALVE BLOCK
08	P1260500	1	RUBBER STRAP ø8 L=400
09	45110114	4	SPRING WASHER DIN-125-A-15



VALVE BLOCK

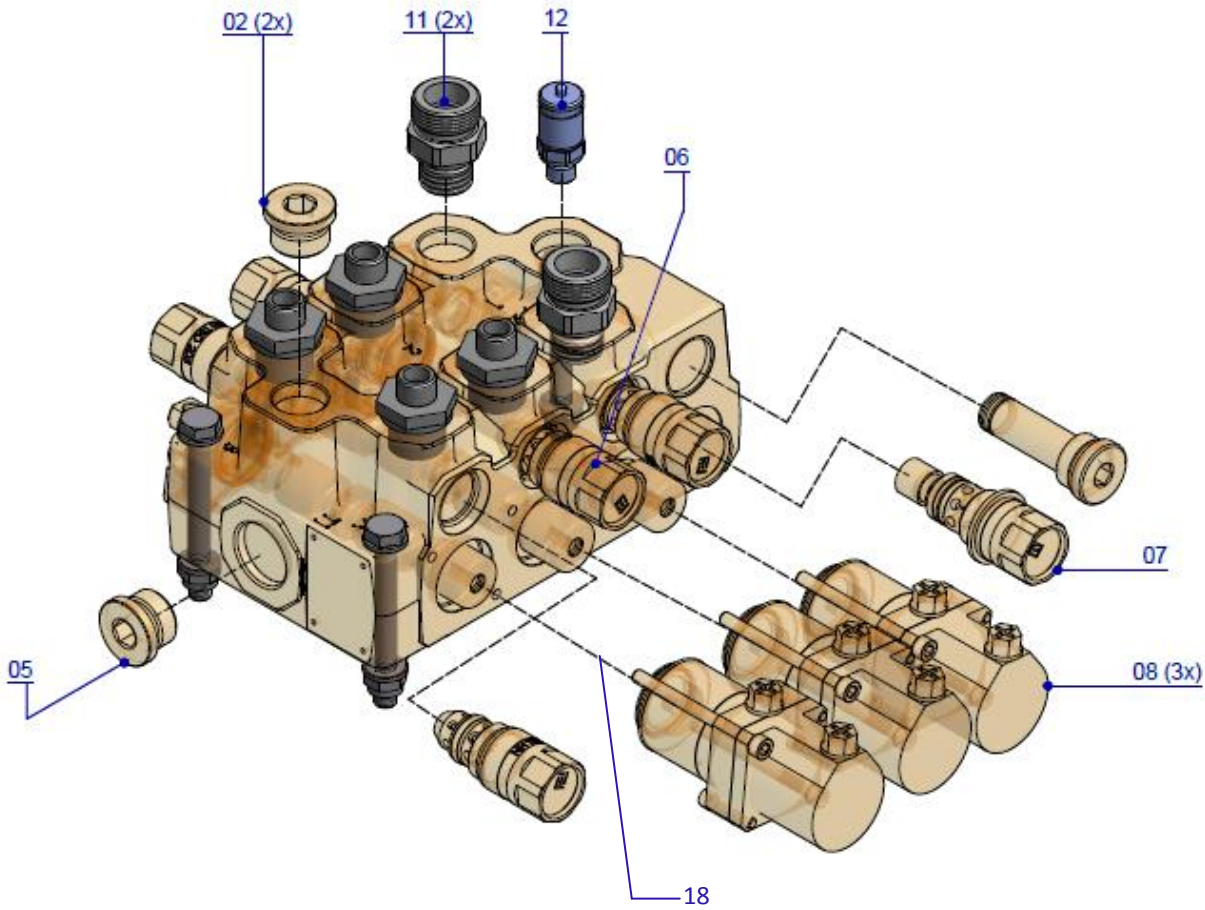
Part	
AE080304	1/3



Pos.	Part Number	Q.ty	Description
01	31110010	1	MB01 PLUG
02	26500125	2	PG06 PLUG
03	31110015	2	Spool for 1 st and 2 nd section
04	31110016	1	Spool for 3 rd , 4 th , 5 th & 6 th section
04*	31110016	1	Spool Single acting port A
05	31110033	1	PLUG instead of port safety cartridge
06	31110026	1	RG25 REDUCER only with 2 nd valve block
06	31110064	1	Port safety cartridge 70 bar
06	31110065	1	Port safety cartridge 100bar
06	31110066	1	Port safety cartridge 110bar
06	31110067	1	Port safety cartridge 150bar
06	31110068	1	Port safety cartridge 160bar
06	31110069	1	Port safety cartridge 170bar
06	31110070	1	Port safety cartridge 180bar
06	31110071	1	Port safety cartridge 190bar
06	31110072	1	Port safety cartridge 200bar
06	31110073	1	Port safety cartridge 210bar
06	31110074	1	Port safety cartridge 220bar
06	31110075	1	Port safety cartridge 225bar
06	31110076	1	Port safety cartridge 230bar
06	31110077	1	Port safety cartridge 240bar
06	31110078	1	Port safety cartridge 250bar
06	31110079	1	Port safety cartridge 260bar
06	31110080	1	Port safety cartridge 270bar
06	31110081	1	Port safety cartridge 280bar
06	31110082	1	Port safety cartridge 290bar
06	31110083	1	Port safety cartridge 300 bar
06	31110084	1	Port safety cartridge 310 bar
06	31110085	1	Port safety cartridge 320bar
06	31110086	1	Port safety cartridge 330bar
06	31110087	1	Port safety cartridge 340bar
06	31110088	1	Port safety cartridge 350bar
06	31110089	1	Port safety cartridge 325bar

VALVE BLOCK

Part	
AE080304	2/3



Pos.	Part Number	Q.ty	Description
07	SEE TABLE	1	SEE TABLE
08	31110012	3	Air cylinder
09	31110025	3	Lever bracket
10	26120225	4	ADAPTOR HP-00-SW 12LOT-3/4" BSPOT
11	26200225	2	ADAPTOR HP-00-20S-3/4" BSPOT
12	26551204	1	TEST NIPPLE SMK20-G1/4"-PC
13	45011038	3	BOLT HEX M10X90 DIN 931 8.8 Zn
14	45110110	6	WASHER M10 DIN125A ZP
15	45081015	3	HEX NUT M10 DIN985 8.8 ZP
16	31110033	1	Closed plug in service port
17*	31110099	1	Open Plug in service port
18	33000209	1	Seal kit air command RM270
19	33000203	1	Seal kit Section RM270
20	SEE TABLE	1	SEE TABLE



VALVE BLOCK	Part	
	AE080304	3/3

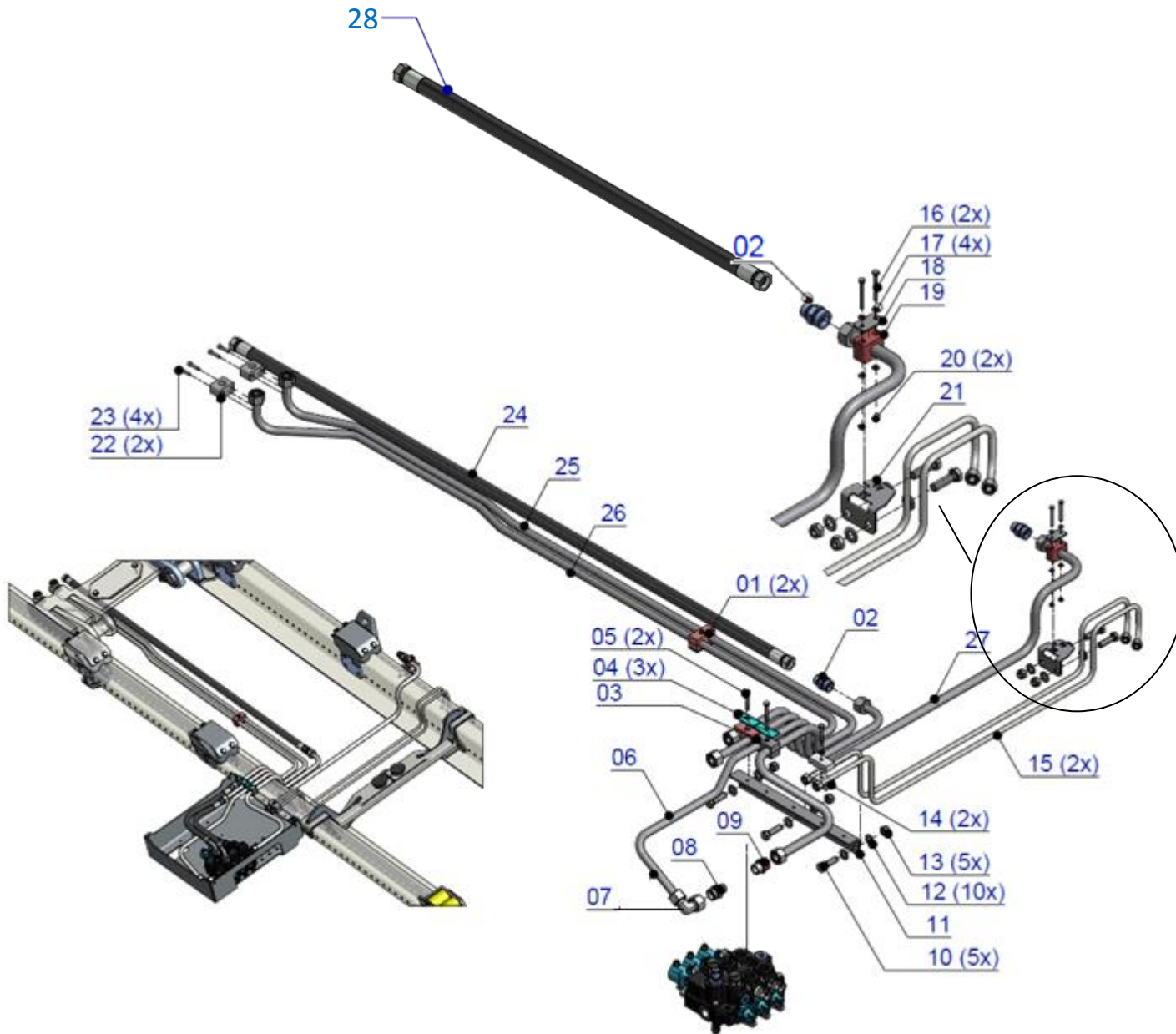
Pos.	Part number	Q.ty	Description
07	31110043	1	Main Relief Valve pre-setting 150bar
07	31110044	1	Main Relief Valve pre-setting 160bar
07	31110045	1	Main Relief Valve pre-setting 170bar
07	31110046	1	Main Relief Valve pre-setting 180bar
07	31110047	1	Main Relief Valve pre-setting 190bar
07	31110048	1	Main Relief Valve pre-setting 200bar
07	31110049	1	Main Relief Valve pre-setting 210bar
07	31110050	1	Main Relief Valve pre-setting 220bar
07	31110051	1	Main Relief Valve pre-setting 230bar
07	31110052	1	Main Relief Valve pre-setting 240bar
07	31110053	1	Main Relief Valve pre-setting 250bar
07	31110054	1	Main Relief Valve pre-setting 260bar
07	31110055	1	Main Relief Valve pre-setting 270bar
07	31110056	1	Main Relief Valve pre-setting 280bar
07	31110057	1	Main Relief Valve pre-setting 290bar
07	31110058	1	Main Relief Valve pre-setting 300bar
07	31110059	1	Main Relief Valve pre-setting 310bar
07	31110060	1	Main Relief Valve pre-setting 320bar
07	31110061	1	Main Relief Valve pre-setting 330bar
07	31110062	1	Main Relief Valve pre-setting 340bar
07	31110063	1	Main Relief Valve pre-setting 350bar

Pos.	Part number	Q.ty	Description
20	31110064	1	Service Port Valve pre-setting 70bar
20	31110065	1	Service Port Valve pre-setting 100bar
20	31110066	1	Service Port Valve pre-setting 110bar
20	31110067	1	Service Port Valve pre-setting 150bar
20	31110068	1	Service Port Valve pre-setting 160bar
20	31110069	1	Service Port Valve pre-setting 170bar
20	31110070	1	Service Port Valve pre-setting 180bar
20	31110071	1	Service Port Valve pre-setting 190bar
20	31110072	1	Service Port Valve pre-setting 200bar
20	31110073	1	Service Port Valve pre-setting 210bar
20	31110074	1	Service Port Valve pre-setting 220bar
20	31110075	1	Service Port Valve pre-setting 225bar
20	31110076	1	Service Port Valve pre-setting 230bar
20	31110077	1	Service Port Valve pre-setting 240bar
20	31110078	1	Service Port Valve pre-setting 250bar
20	31110079	1	Service Port Valve pre-setting 260bar
20	31110080	1	Service Port Valve pre-setting 270bar
20	31110081	1	Service Port Valve pre-setting 280bar
20	31110082	1	Service Port Valve pre-setting 290bar
20	31110083	1	Service Port Valve pre-setting 300bar
20	31110084	1	Service Port Valve pre-setting 310bar
20	31110085	1	Service Port Valve pre-setting 320bar
20	31110086	1	Service Port Valve pre-setting 330bar
20	31110087	1	Service Port Valve pre-setting 340bar
20	31110088	1	Service Port Valve pre-setting 350bar
20	31110089	1	Service Port Valve pre-setting 325bar

VALVE BLOCK-HYDRAULICS

Part
AE080572

1/1



Pos.	Part Number	Q.ty	Description
01	37010120	2	PIPE CLAMP 20X2
02	26220232	1	ADAPTOR HP-00-22SOT-3/4" BSPOT -60°
03	37010121	1	PIPE CLAMP BLOCK 20/22MM
04	37020120	2	PIPE CLAMP 20X2 TOP PLATE
05	45010826	3	BOLT HEX M8X50X1.25 Q8.8 DIN931 ZP
06	SEE TABLE	1	PIPE Ø20X2 GALVANISED
07	26201900	1	ADAPTOR HP-90-SW-20SOT-20SIT
08	26200225	1	ADAPTOR HP-00-20S-3/4" BSPOT
09	26220225	1	ADAPTOR HP-00-SW-22LOT-3/4" BSPOT
10	45011414	5	HEX-HEAD BOLT M14X50 DIN933
11	AE080306	1	PLATE FOLDED T=5
12	45110114	10	WASHER DIN-125-A-15
13	45081415	5	NUT SELFLOCK M14 DIN985 8.8 Zp
14	AE080317	2	PIPE CLAMP 2X12MM
15	AE080319	2	PIPE Ø12X1.5 GALVANISED
16	45010629	2	BOLT HEX M6X55 DIN-933 Zn
17	45110206	4	SPRING WASHER M6 DIN 127 ZP
18	37020020	1	PIPE CLAMP TOPPLATE 20/22X1
19	37010022	1	PIPE CLAMP BLOCK 22X1
20	45080615	2	HEX NUT LOCKING NUT M6 DIN985 8.8 Zn
21	AE080305	1	PLATE FOLDED T=3
22	37010020	2	PIPE CLAMP 20X1
23	45030618	4	BOLT HSHC M6X30X1.25 Q8.8 DIN912 ZP
24	SEE TABLE	1	HOSE 3/4" BSP FEMALE-FEMALE 350BAR
25	SEE TABLE	1	PIPE Ø20X2 GALVANISED
26	SEE TABLE	1	PIPE Ø20X2 GALVANISED
27	SEE TABLE	1	PIPE Ø22X2 GALVANISED
28	AE080385	1	HOSE 3/4" BSP FEMALE-FEMALE 280 BAR



VALVE BLOCK-HYDRAULICS	Part	
	AE080572	1/1

POS	SYSTEM	49	51	53	55	57	60	62	65
	CAPACITY	20-22	20-22	20-22	20-22	20-22	20-22	20-22	20-22
HOSE KIT		AE080575	AE080576	AE080577	AE080578	AE080579	AE080580	AE080581	AE080573
24	HOSE 3/4" BSP FEMALE-FEMALE 350BAR	AE080591	AE080590	AE080589	AE080588	AE080587	AE080585	AE080586	AE080366
TUBE KIT		AE080508	AE080508	AE080508	AE080509	AE080509	AE080509	AE080509	AE080331
25	PIPE Ø20X2 GALVANISED	AE080517	AE080517	AE080517	AE080542	AE080542	AE080542	AE080542	AE080334
26	PIPE Ø20X2 GALVANISED	AE080519	AE080519	AE080519	AE080544	AE080544	AE080544	AE080544	AE080332

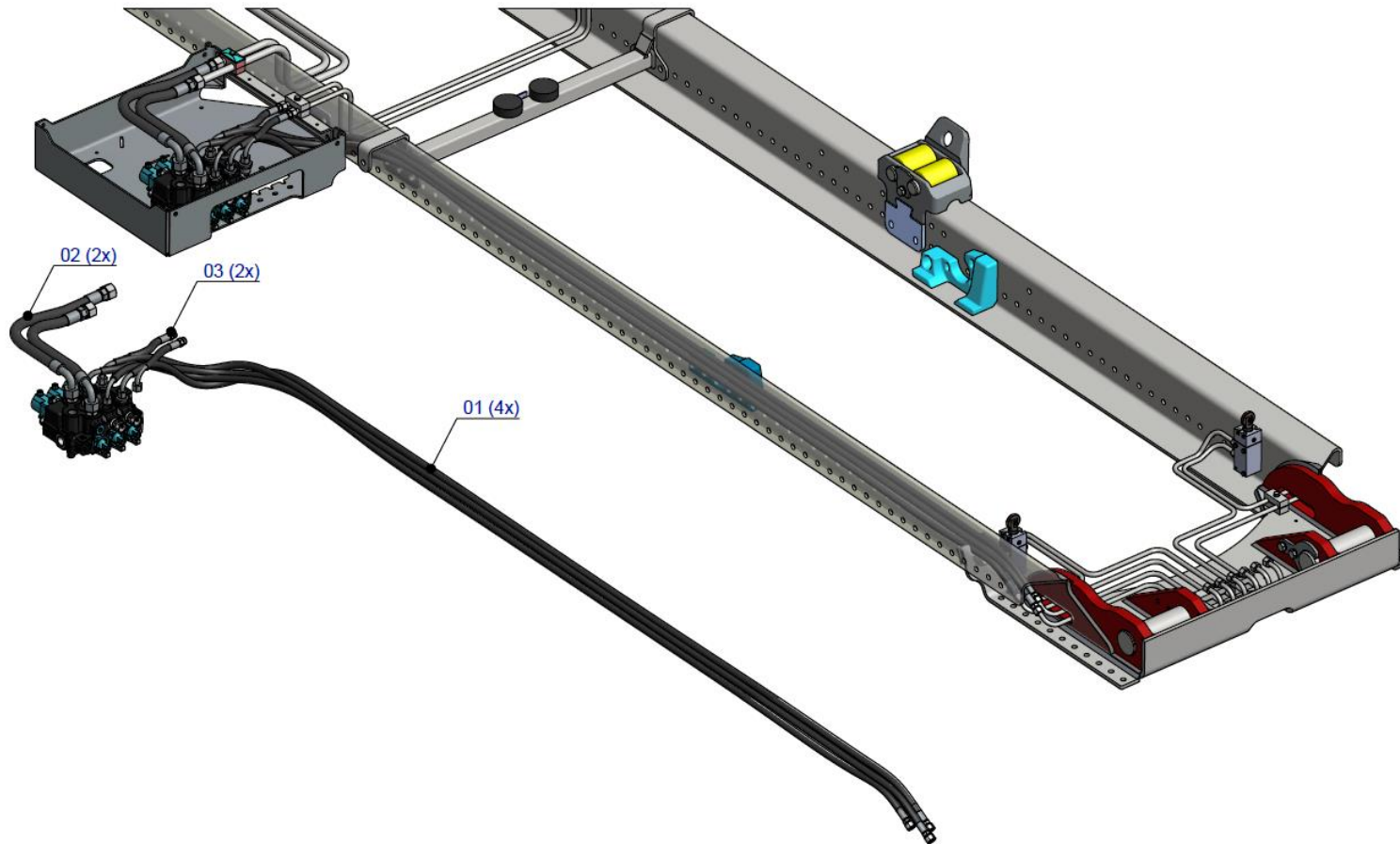
POS	TUBING KIT	47	49	51	53	55	57	60	62	65
	2 SECTION	AE080396	AE080396	AE080396	AE080396	AE080396	AE080396	AE080396	AE080396	AE080396
27		AE080397	AE080397	AE080397	AE080397	AE080397	AE080397	AE080397	AE080397	AE080397
6		AE080310	AE080310	AE080310	AE080310	AE080310	AE080310	AE080310	AE080310	AE080310
	3 SECTION	AE080383	AE080383	AE080383	AE080383	AE080383	AE080383	AE080383	AE080383	AE080383
27		AE080384	AE080384	AE080384	AE080384	AE080384	AE080384	AE080384	AE080384	AE080384
6		AE080310	AE080310	AE080310	AE080310	AE080310	AE080310	AE080310	AE080310	AE080310
	4 SECTION	AE080393	AE080393	AE080393	AE080393	AE080393	AE080393	AE080393	AE080393	AE080393
27		AE080394	AE080394	AE080394	AE080394	AE080394	AE080394	AE080394	AE080394	AE080394
6		AE080310	AE080310	AE080310	AE080310	AE080310	AE080310	AE080310	AE080310	AE080310
	5/6 SECTION	AE080326	AE080326	AE080326	AE080326	AE080326	AE080326	AE080326	AE080326	AE080326
27		AE080310	AE080310	AE080310	AE080310	AE080310	AE080310	AE080310	AE080310	AE080310
6		AE080308	AE080308	AE080308	AE080308	AE080308	AE080308	AE080308	AE080308	AE080308

VALVE BLOCK-HOSE

Part
AE080570

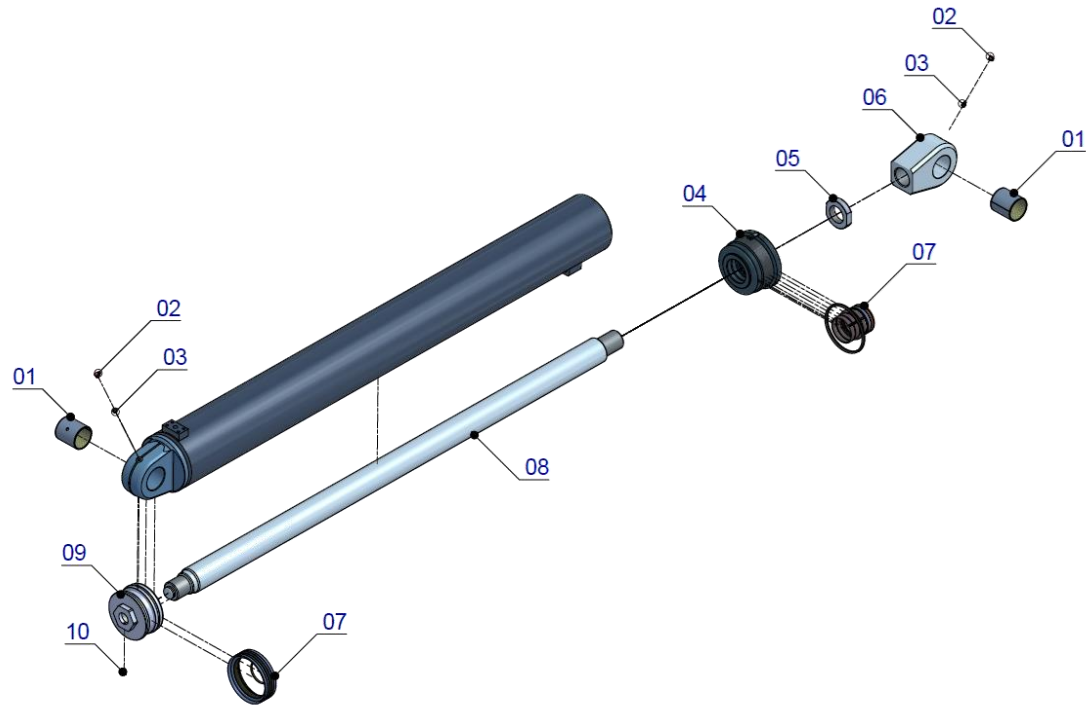
1/1

Pos.	Part Number	Q.ty	Description
01	AE080312	4	HOSE - 3/8
02	AE080361	2	HYDRAULIC HOSE HP16-600-5/8" - 91IT-010T-350BAR-20S
03	AE080316	2	HP10-235-3/8"-01-91-350BAR



MAIN CYLINDER

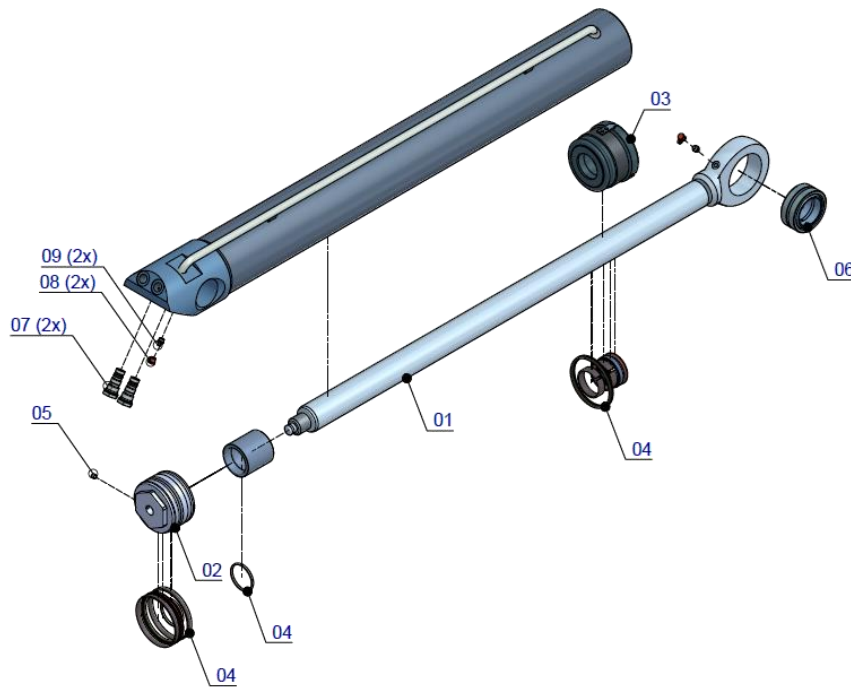
Part	
	1/1



Pos.	Part number	Q.ty	Description
1	36100008	2	BEARING BUSH PM7080DX OD=Ø75
2	59500180	2	GREASING NIPPLE CAP_01
3	37200002	2	GREASING NIPPLE-G1-8_01
4	SEE TABLE	1	DA GLAND HP
5	761041909	1	DA NUT Ø95 M60x1.5
6	761041633	1	DA ROD EYE
7	SEE TABLE	1	SEAL KIT
8	SEE TABLE	1	ROD HC
9	SEE TABLE	1	DA PISTON
10	761009050	1	SET SCREW M8x10

SL.NO	MAIN CYLINDER	49	51	53	55	57	60	62	65
	20T		09031518				09031538		
	22T		09031518			09031538		09031638	
08	DA ROD		761015226			761041130		761041128	
04	DA GLAND		761041202			761041202		761041201	
09	DA PISTON		761041130			761041130		761041128	
07	DA SEAL KIT 20T		761080610			761080610		761080610	
07*	DA SEAL KIT 22T		761080610			761080610		761080660	

SLIDING CYLINDER	Part	
		1/1



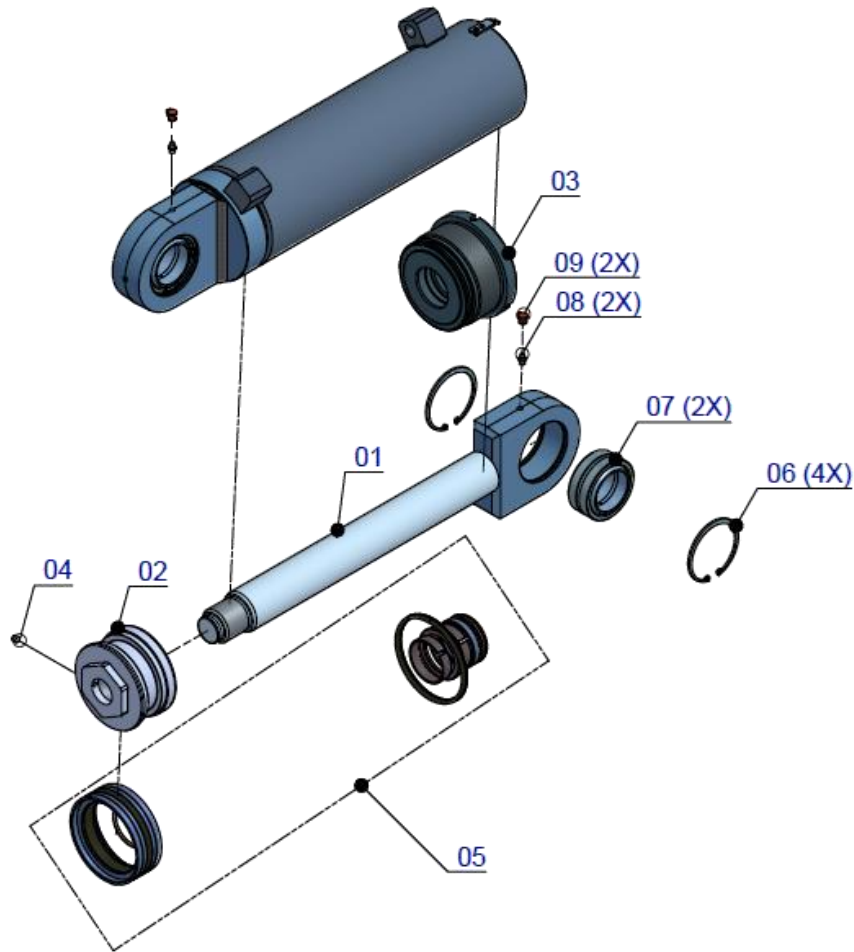
Pos.	Part number	Q.ty	Description
01	SEE TABLE	1	DA ROD WITH EYE
02	761041110	1	DA PISTON Ø110xØ55-L71-10
03	761041210	1	DA GLAND HP Ø110xØ55xØ122 2
04	761080380	1	SEAL KIT
05	761009050	1	SET SCREW M8x10
06	5100000	1	BEARING
07	31000700	2	CHECK VALVE CARTRIDGE
08	59500180	2	GREASER CAP Ø6.5
09	37200002	2	GREASER

POS.	MAIN CYLINDER	49	51	53	55	57	60	62	65
	DA CYLINDER	09034011	09033311	09033511	09033411	09033511	09035811		09037811
01	DA ROD	761010785	761010775	761010735	761010795	761010735	761010725		761010705

KNUCKLE CYLINDER

 Part
 09031205

1/1



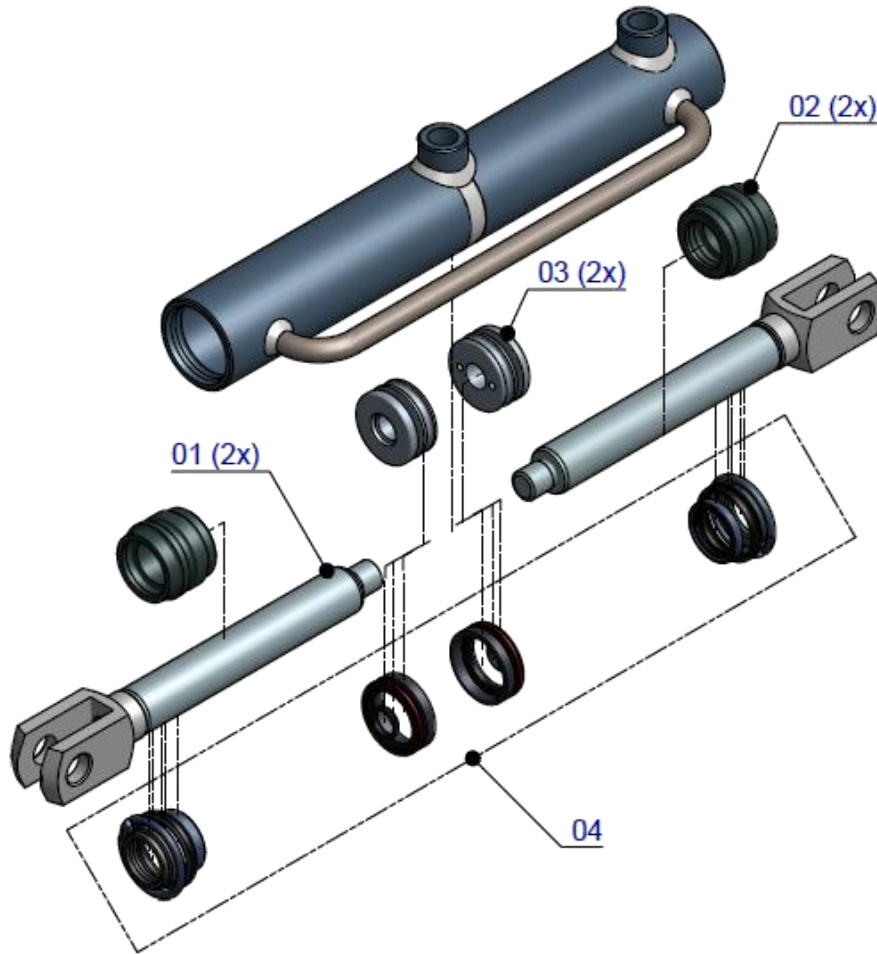
Pos.	Part number	Q.ty	Description
01	761010276	1	ROD HC
02	761041106	1	DA PISTON
03	761041207	1	DA GLAND HP
04	761009050	1	SET SCREW M8x10
05	38005022	1	SEAL KIT
06	01770580	4	RETAINING RING 90x3
07	01770090	2	BEARING
08	37200002	2	GREASER
09	59500180	2	GREASER CAP Ø6.5

LOCKING CYLINDER

Part	
09030421	1/1

Pos.	Part number	Q.ty	Description
------	-------------	------	-------------

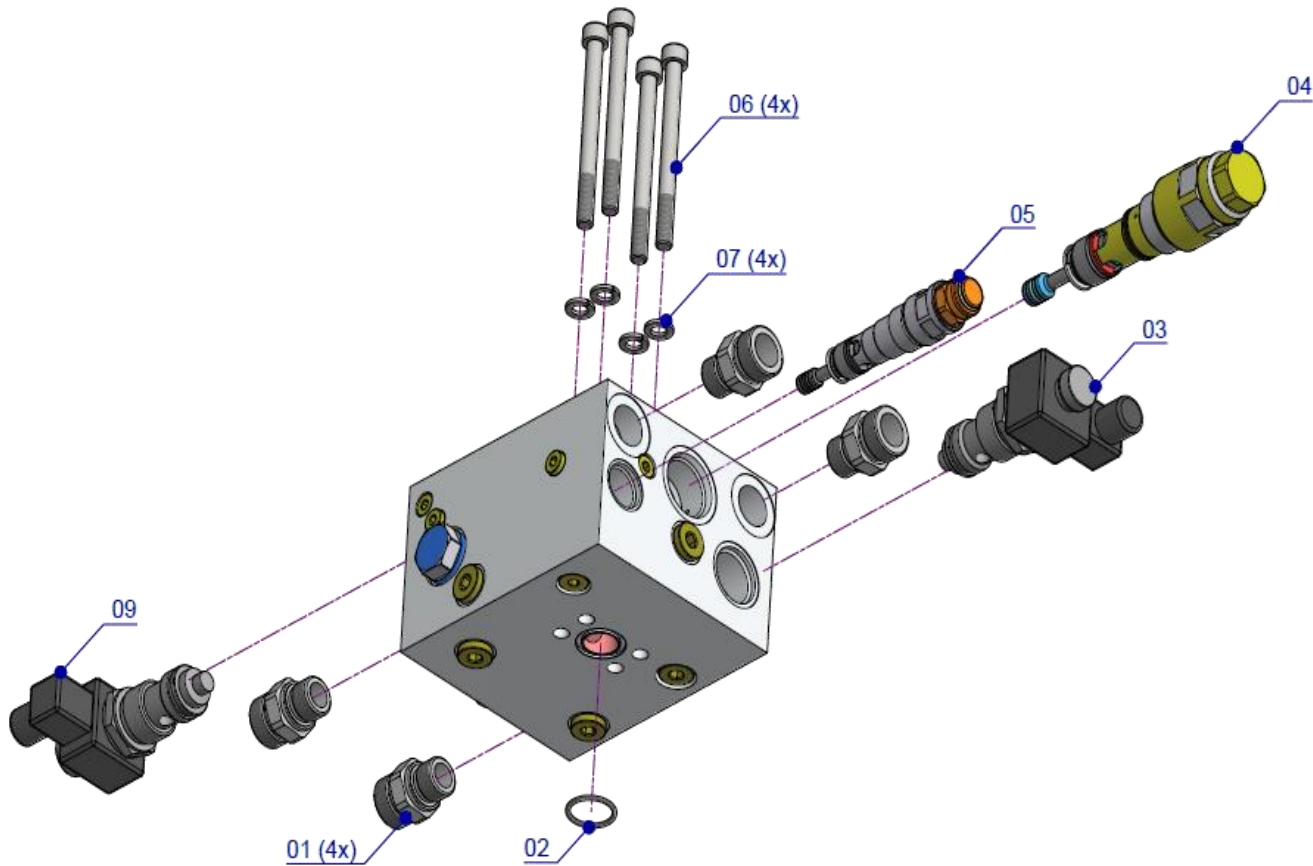
01	761015445	2	DA ROD WITH EYE
02	761041234	2	DA GLAND
03	761041134	2	DA PISTON
04	38003014	1	SEAL KIT



CYLINDER BLOCK

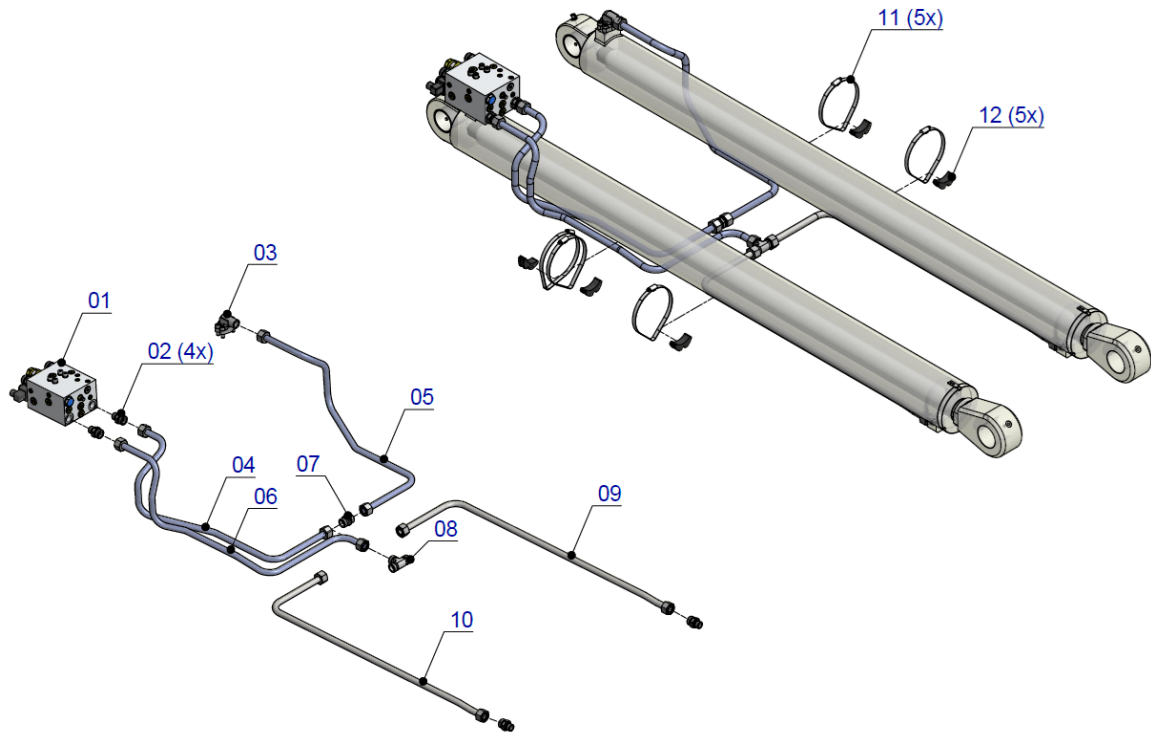
Part	
AE080571/31090006	1/1

Pos.	Part number	Q.ty	Description
01	26200225	4	ADAPTOR HP-00-20S-3/4" BSPOT DIN 2353/DS20
02	31090301	1	O-RING
03	31090202	1	FAST LIFT OFF CARTRIDGE 12V
03	31090202	1	FAST LIFT OFF CARTRIDGE 24V
04	31090205	1	OVC CARTRIDGE
05	31090206	1	OVC CARTRIDGE
06	45031022	4	BOLT HSHC M10X120X1.5 Q8.8 DIN 912 ZP
07	45110210	4	SPRING WASHER M10 DIN127 ZP
08	31090010	1	SEAL KIT FOR ITEM 05
09	AE073000	1	CARTRIDGE VALVE CUSHIONING 12V
09	AE073001	1	CARTRIDGE VALVE CUSHIONING 24V



CYLINDER-HYDRAULICS

Part	
HYDRAULICS	1/1



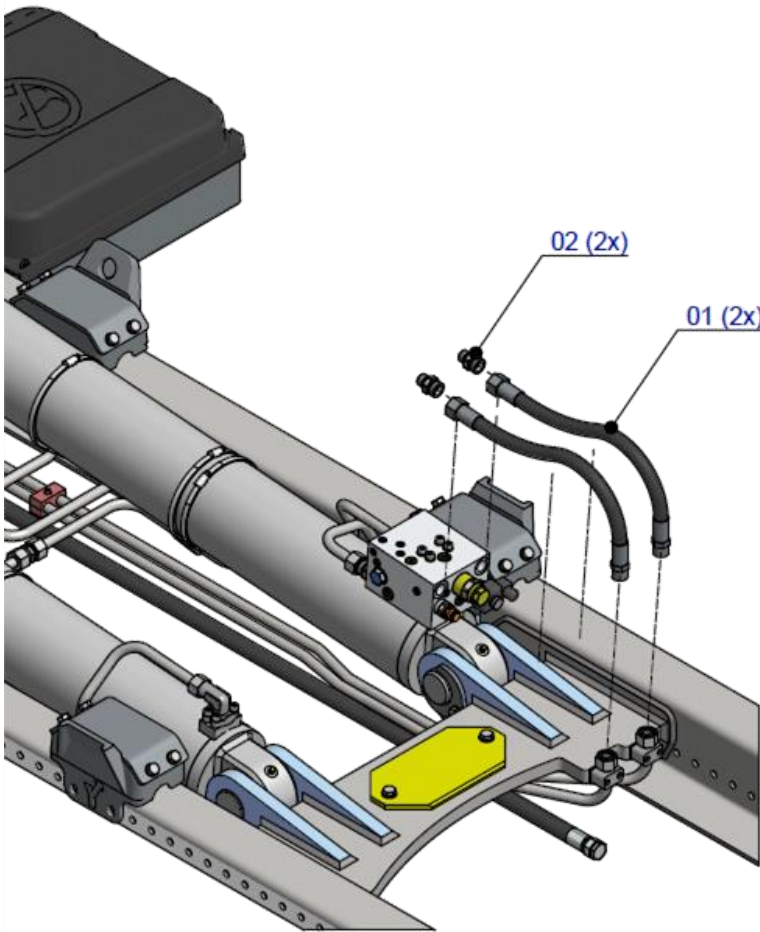
Pos.	Part Number	Q.ty	Description
01	31090006	1	OVC VALVE STANDARD
02	26200225	4	ADAPTOR HP-00-20S-3/4" BSPOT DIN 2353/DS20
03	H0003350	1	SAE 34BSP-20S-90°
04	SEE PIPE KIT	1	PIPE GALVANISED
05	SEE PIPE KIT	1	PIPE GALVANISED
06	SEE PIPE KIT	1	PIPE GALVANISED
07	26200100	1	ADAPTOR HP-00-SW-20SOT-20SOT
08	26202400	1	ADAPTOR HP-T-S20-S20-S20
09	SEE PIPE KIT	1	PIPE GALVANISED
10	SEE PIPE KIT	1	PIPE GALVANISED
11	37002700	5	HOSE CLAMP NMB-E270-W2-060-270
12	37040001	5	STAUFF PIPE CLAMP ZR518 RAL9005

SL.NO	49	51	53	55	57	60	62	65
PIPE KIT		AE080527				AE080327		
04		AE080565				AE080347		
05		AE080567				AE080336		
06		AE080563				AE080338		
09		AE080561				AE080351		
10		AE080559				AE080349		

CYLINDER-HOSE

Part	
AE080571	1/1

Pos.	Part number	Q.ty	Description
01	AE080298	2	HP-16-560-5/8" -01-02-350BAR
02	26203500	2	SWIVEL NUT 20S

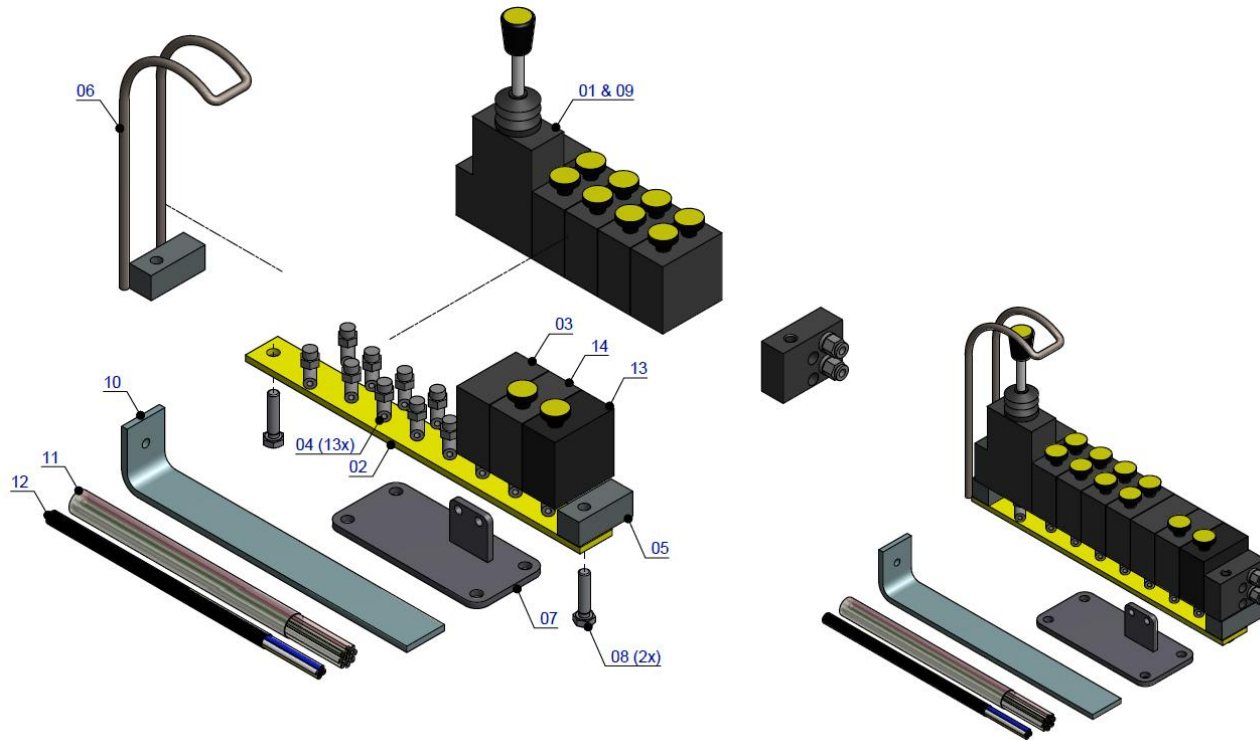


CAB CONTROLS

Part
AE081363

1/1

Pos.	Part Number	Q.ty	Description
01	34070105	1	SERVO H1-90° + 4X PUSHBUTTONS H1
02	SEE TABLE	1	STRIP
03	34010229	1	AIR VALVE PN. CONTROL CRANE LOCK
04	34040415	13	AIR FITTING
05	01040001	1	FILL BLOCK
06	01030001	1	PROTECTION BRACKET
07	01010001	1	SUPPORT
08	45010820	2	HEX-HEAD BOLT
09	59000380	1	STICKERS
10	01020001	1	BASE PLATE
11	34001112	1	AIR HOSE
12	34000005	1	AIR HOSE 4x4mm
13	34070003	1	SINGLE PUSH BUTTON VALVE WITH DETENT
14	34070005	1	SINGLE PUSH BUTTON VALVE



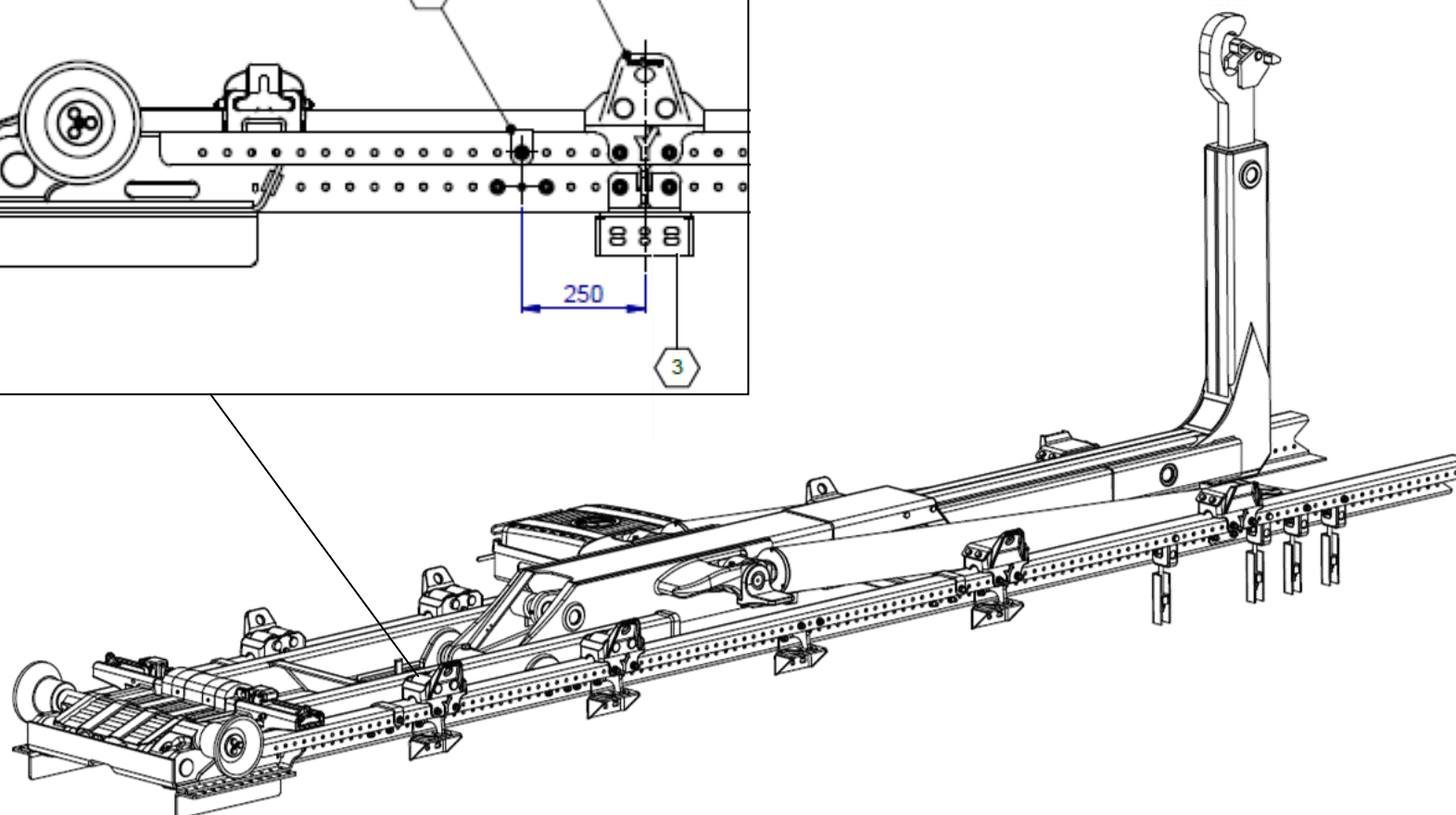
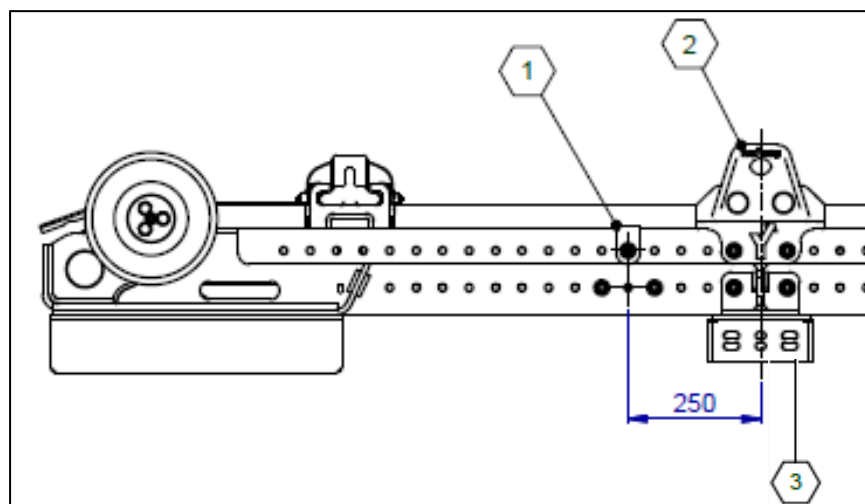
NO OF FUNCTIONS	02	03	04	05	06	07	08	09	10	11	12
PART NO.	01050001	01050002	01050003	01050004	01050005	01050010	01050011	01050012	01050013	01050014	01050015

EXTRA CROSSMEMBER + SIDE ROLLERS – OT20109

Part	
AE080704	

1/1

3	1	CROSSMEMBER ASSY	SEE AE080149	AE080149
2	2	MULTIFUNCTIONAL SUBFRAME SUPPORT ASSY	SEE AE080160	AE080160
1	2	CONTAINER SUPPORT O:250 HIGH LIP ROLL ASSY	SEE AE080072	
ITEM	QTY	DESCRIPTION	DIMENSIONS	PART NO.

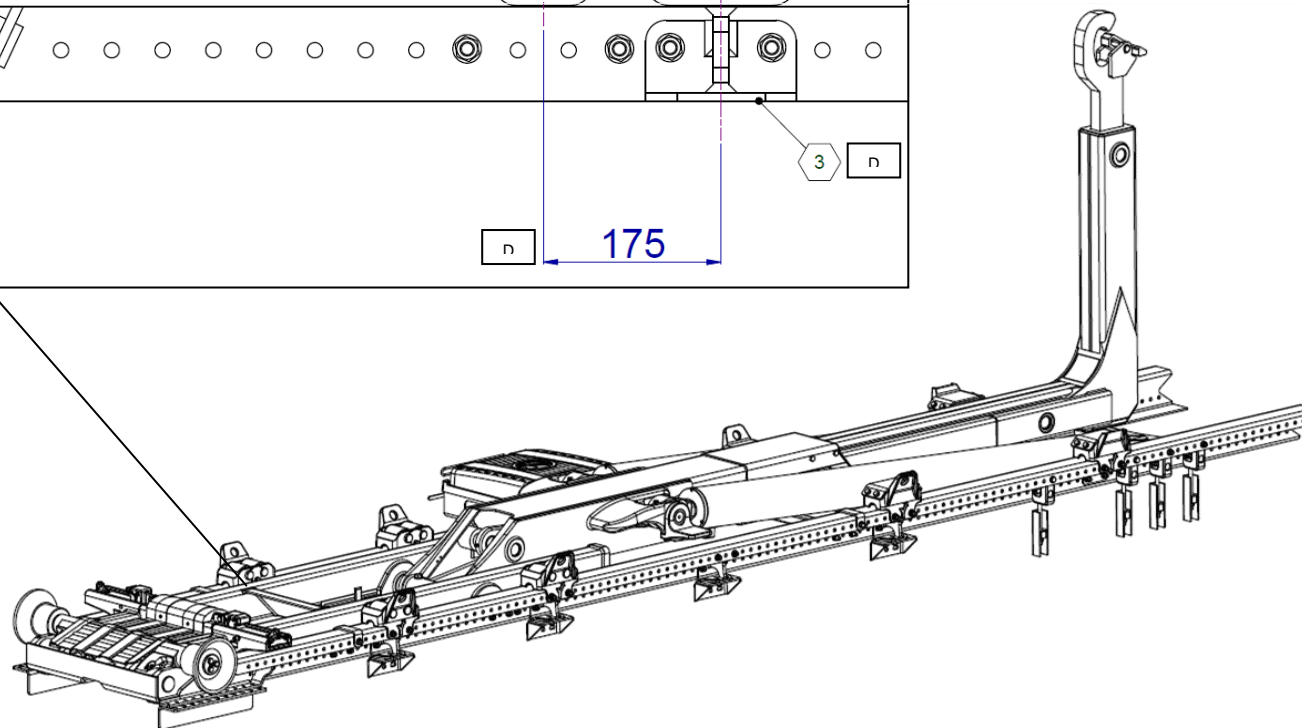
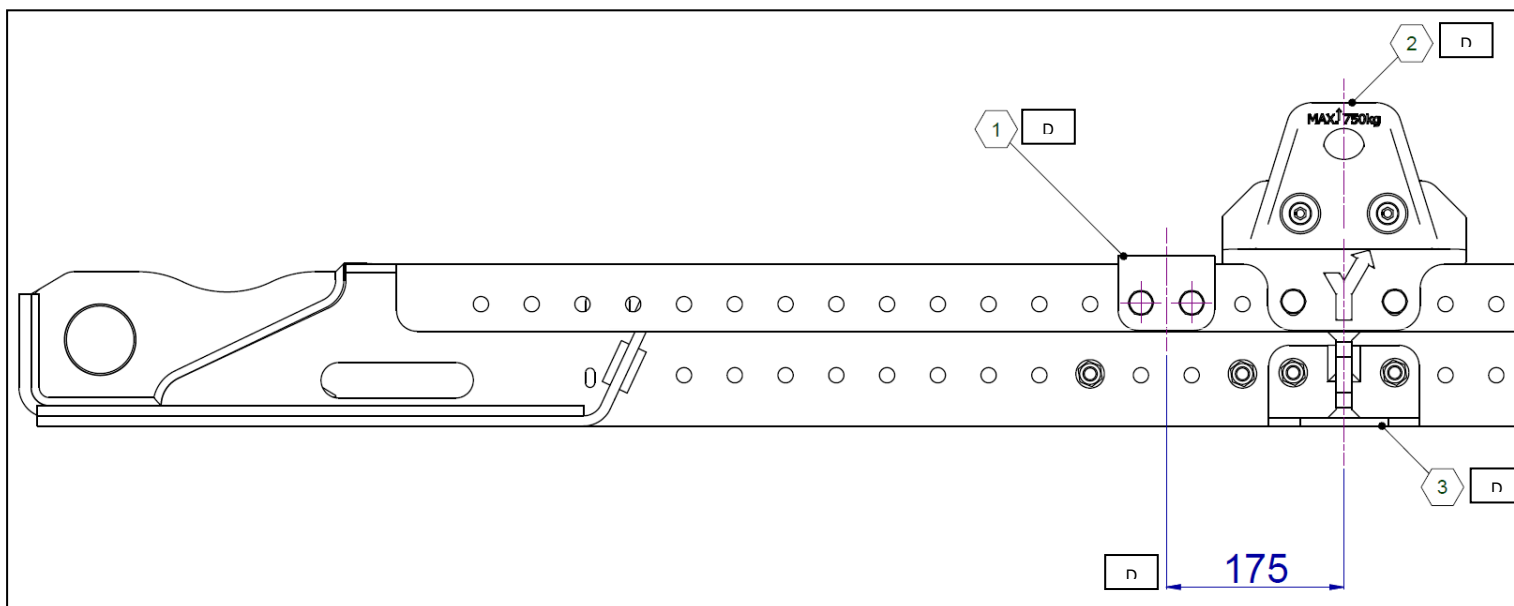


EXTRA CROSSMEMBER + SIDE ROLLERS – OT20109

Part
AE080704

1/1

3	2	MFSS WELD ASSY			AE080160
2	2	CONTAINER SUPPORT ROLL			AE080072
1	1	EXTRA CROSSMEMBER			AE082677
POS	QTY	DESCRIPTION	DIMENSIONS	MATERIAL	PART NO. NT

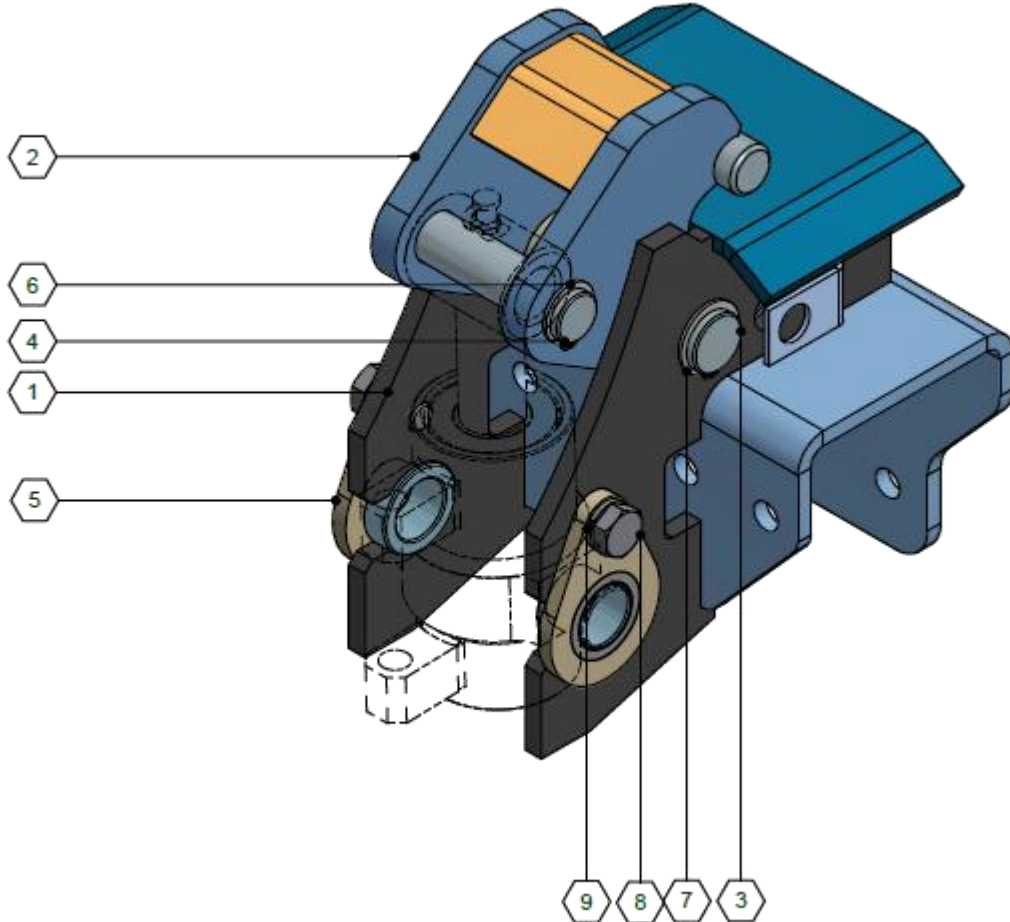




HYDRAULIC CRANE LOCKING – CRANE LOCK – OT20111-1

Part	
AE082200	1/1

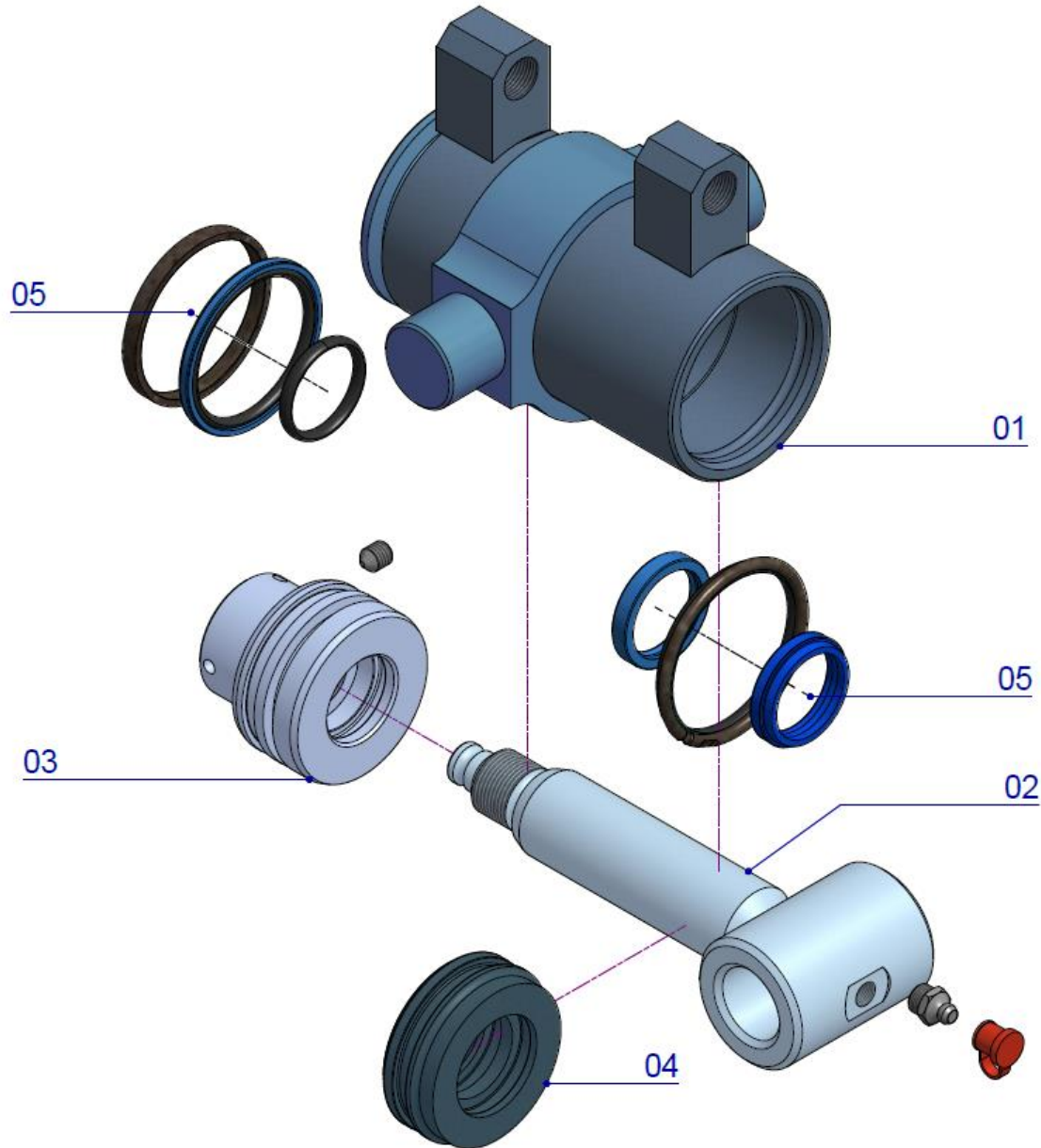
9	2	SPRING WASHER	M14 DIN 127 Zp		45110214
8	2	BOLT HEX	M14X25 DIN-933 8.8 Zn	Steel ZP	45011404
7	2	SPRING RETAINING RING	30 x 2		36000060
6	2	SPRING RETAINING RING	25 x 2		36000050
5	2	Locking Plate Weld Assy	SEE AE082203		AE082203
4	1	Axle Ø25mm	SEE AE082212	42CrMo4	AE082212
3	1	Axle Ø30mm	SEE AE082211	42CrMo4	AE082211
2	1	CLAMP WELD ASSY	SEE AE082202		AE082202
1	1	CRANE LOCK WELD ASSY			AE082201
ITEM	QTY	DESCRIPTION	DIMENSIONS	MATERIAL	PART NO.



HYDRAULIC CRANE LOCKING – CYLINDER– OT20111-2

Part	
09030605	1/1

Pos.	Part number	Q.ty	Description
01	5015191	1	DA BASE
02	5015195	1	DA ROD
03	5101124	2	DA PISTON
04	5101236	1	DA GLAND
05	761080102	1	SEAL KIT

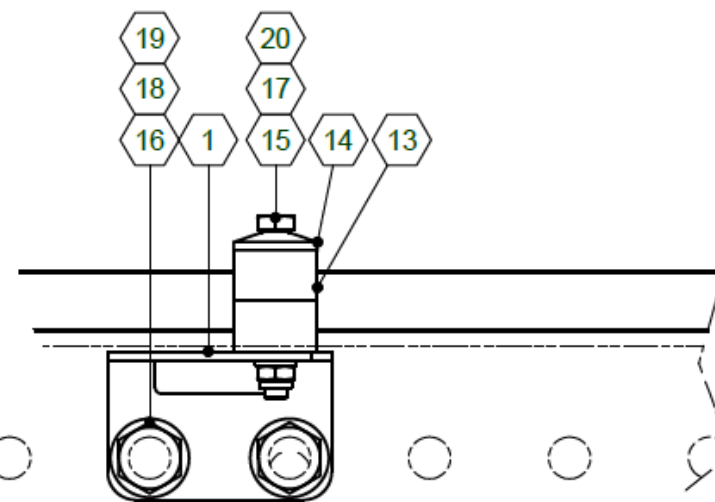
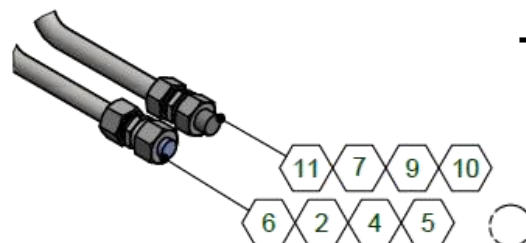
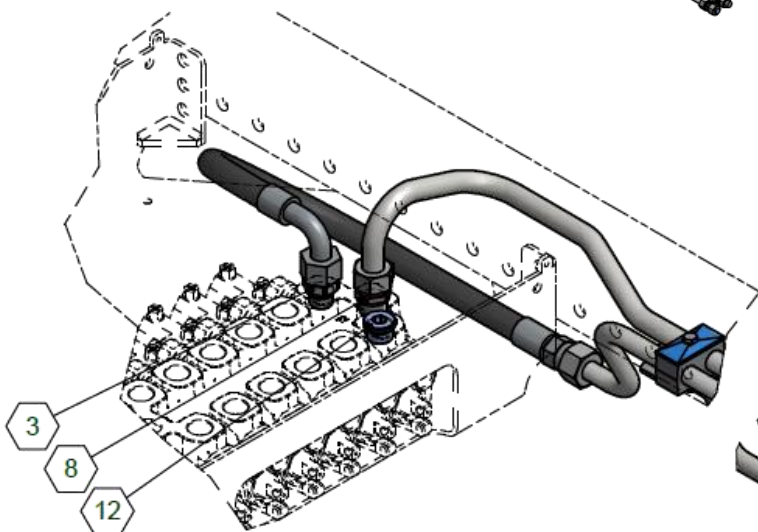
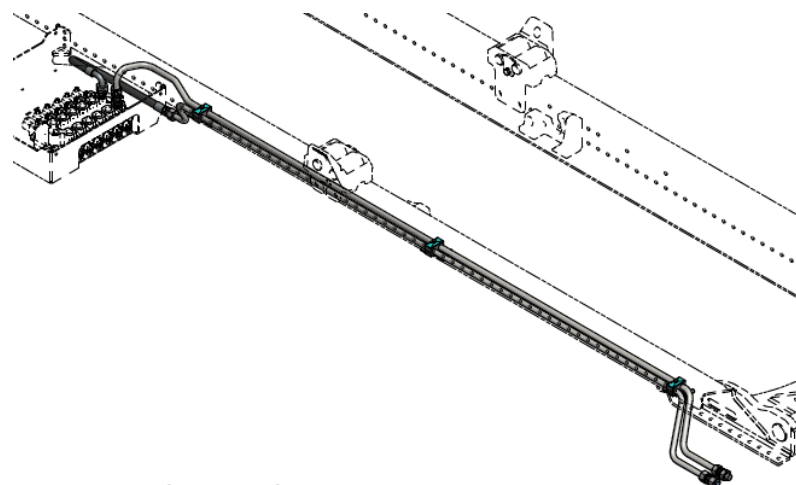




HYDRAULIC CRANE LOCKING – MOUNTING KIT– OT20111-3

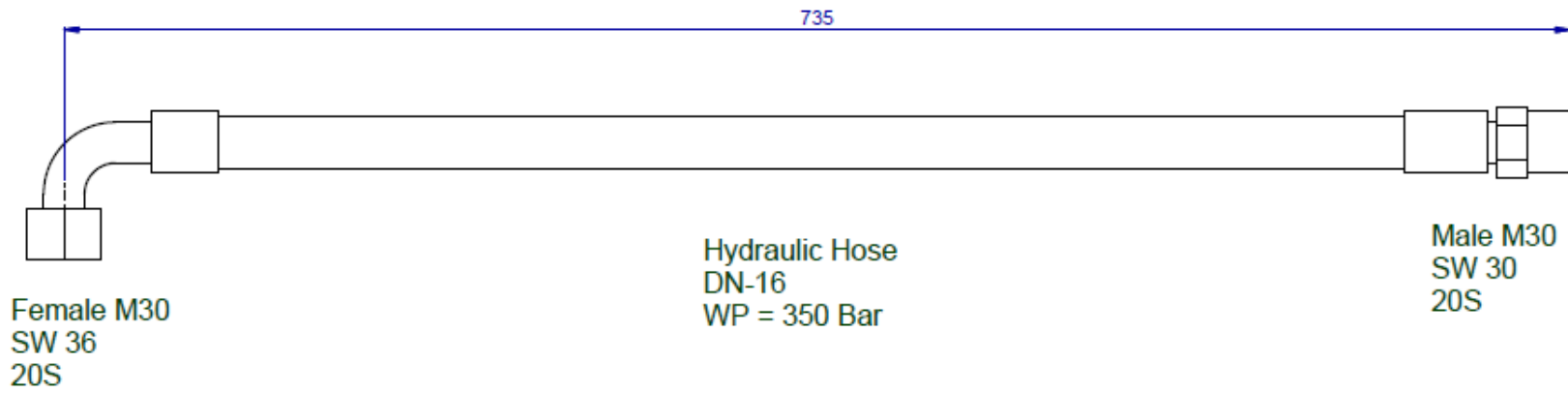
Part
AE081100

1/1



20	3	SPRING WASHER	M8 DIN 127 Zp	Steel ZP	45110208
19	12	WASHER	DIN-125-A-15		45110114
18	6	NUT SELFLOCK	M14 DIN985 8.8 Zp		45081415
17	3	Hex Nut	LOCKING NUT M8 DIN98		45080815
16	6	HEX-HEAD BOLT	M14x50 DIN933		45011414
15	3	BOLT HEX	M8X60X1.25 Q8.8 DIN931 ZP	Steel ZP	45010830
14	3	PIPE CLAMP 20X2 TOP PLATE		Steel Zp	37020120
13	3	PIPE CLAMP BLOCK	20/22MM	PP	37010121
12	1	HP STOP 3/4"		Steel ZP	26500125
11	1	ADAPTOR	HP-00-STOP 22L		26223600
10	1	SWIVEL NUT	22L	Steel ZP	26223500
9	1	CUTTING RING SOFT SEAL	22L	Steel ZP	26223401
8	1	ADAPTOR HP-00-SW-22LOT-3/4"BSPOT		Steel ZP	26220225
7	1	ADAPTOR HP-00-SW-22LOT-22LOT		Steel ZP	26220100
6	1	BLIND PLUG	20S	Steel ZP	26203600
5	1	SWIVEL NUT 20S		Steel ZP	26203500
4	1	CUTTING RING 20S		Steel ZP	26203401
3	1	ADAPTOR HP-00-20S-3/4" BSPOT	DIN 2353/DS20	Steel ZP	26200225
2	1	ADAPTOR HP-00-SW-20SOT-20SOT		Steel ZP	26200100
1	3	PLATE FOLDED	T=3	S235JR (ST.37-2)	AE080305
ITEM	QTY	DESCRIPTION	DIMENSIONS	MATERIAL	PART NO.

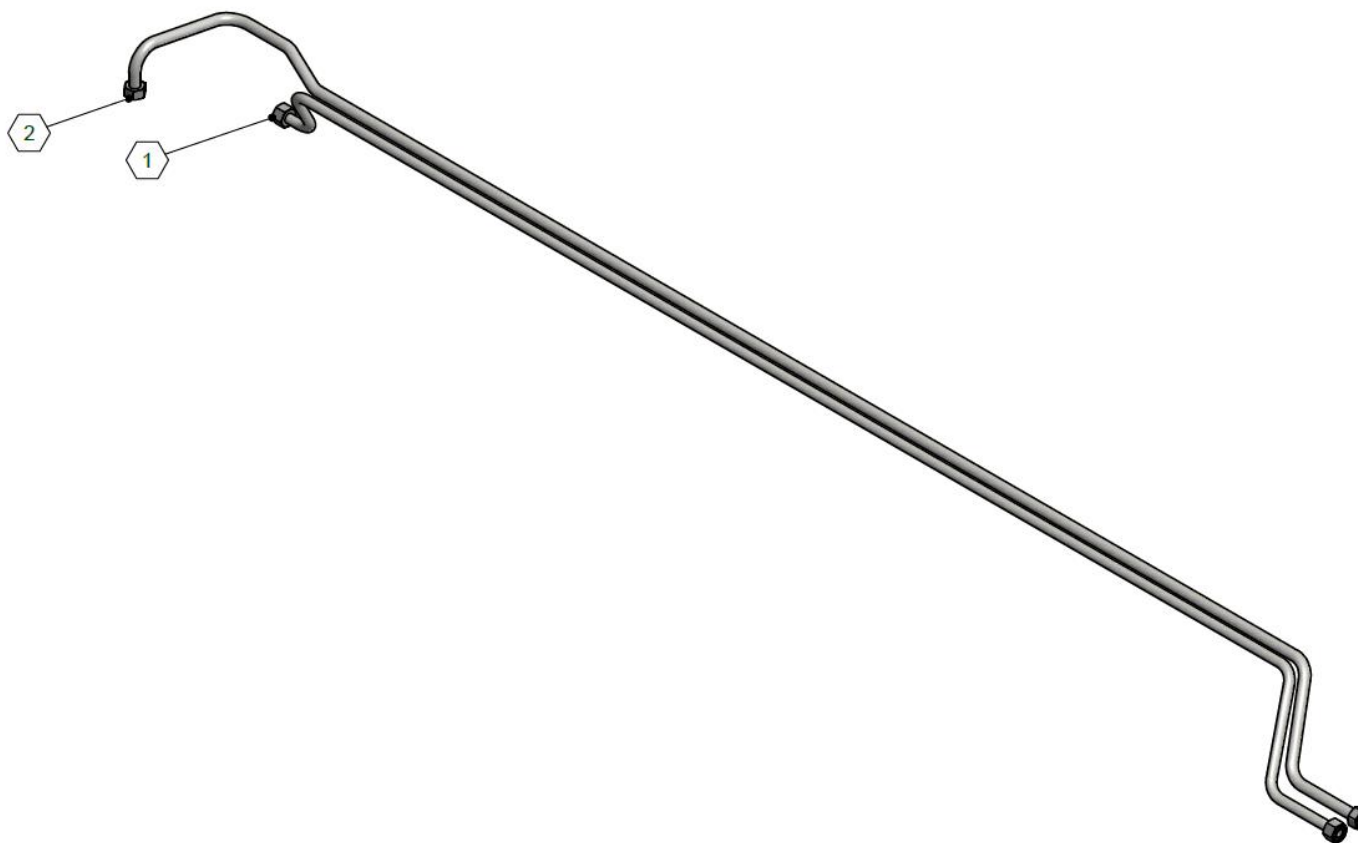
HYDRAULIC CRANE LOCKING – HOSE CONNECTION – OT20111-4	Part	
	AE081114	1/1




TUBING KIT 20/22MM 4 SECTION VALVE BLOCK – OT20111-5

Part	
AE081119	1/1

2	1	PIPE Ø22X2 GALVANISED			AE081117
1	1	PIPE Ø20X2 GALVANISED			AE081110
ITEM	QTY	DESCRIPTION	DIMENSIONS	MATERIAL	PART NO.

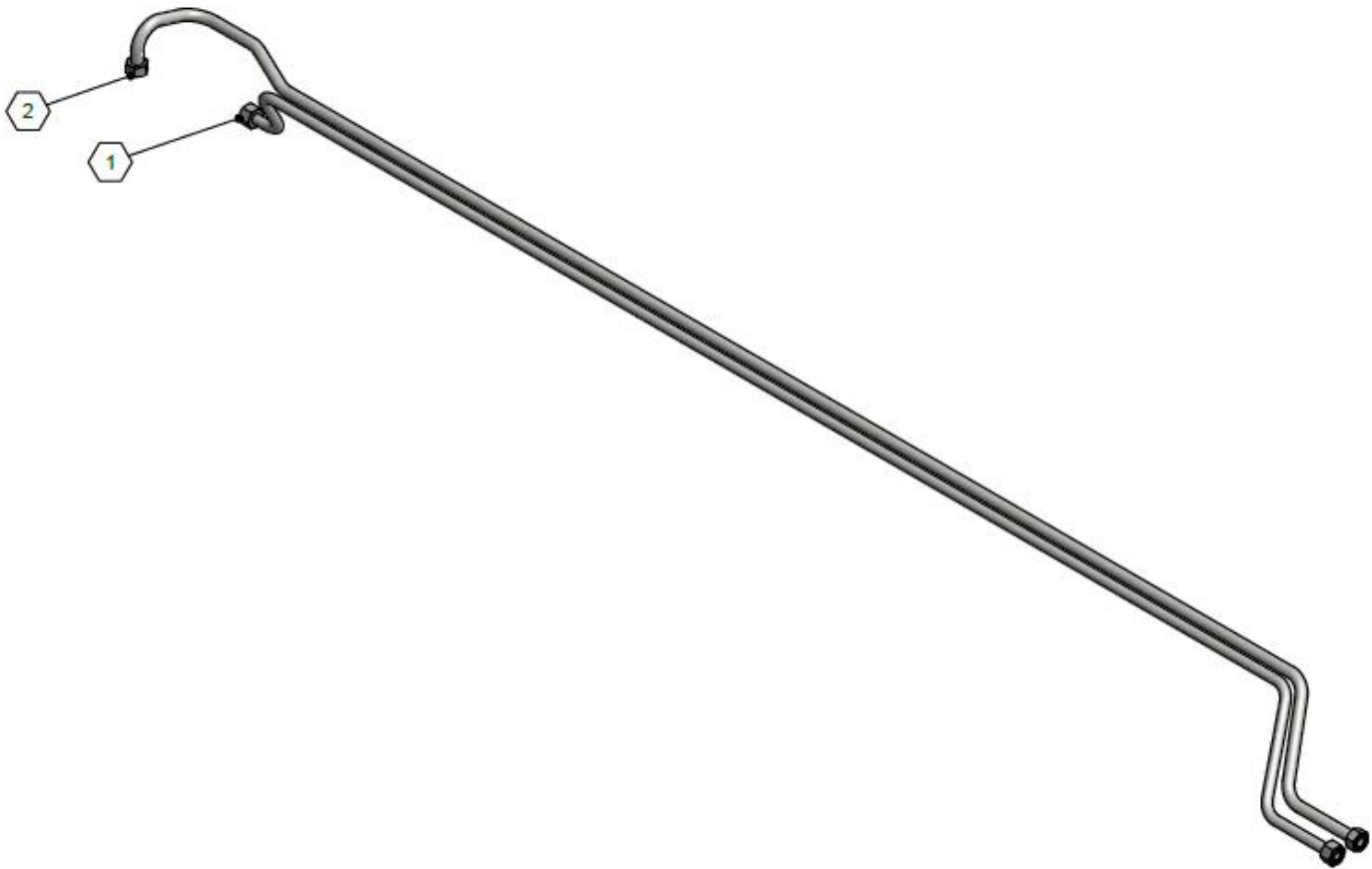




TUBING KIT 20/22MM 5/6 SECTION VALVE BLOCK – OT20111-6

Part	
AE081115	1/1

2	1	PIPE Ø22X2 GALVANISED			AE081112
1	1	PIPE Ø20X2 GALVANISED			AE081110
ITEM	QTY	DESCRIPTION	DIMENSIONS	MATERIAL	PART NO.

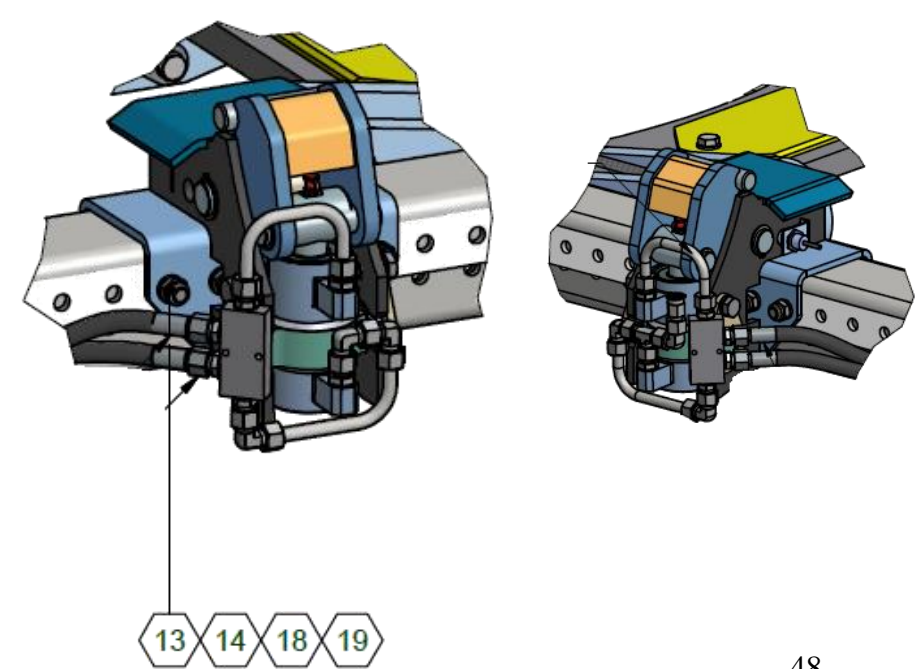
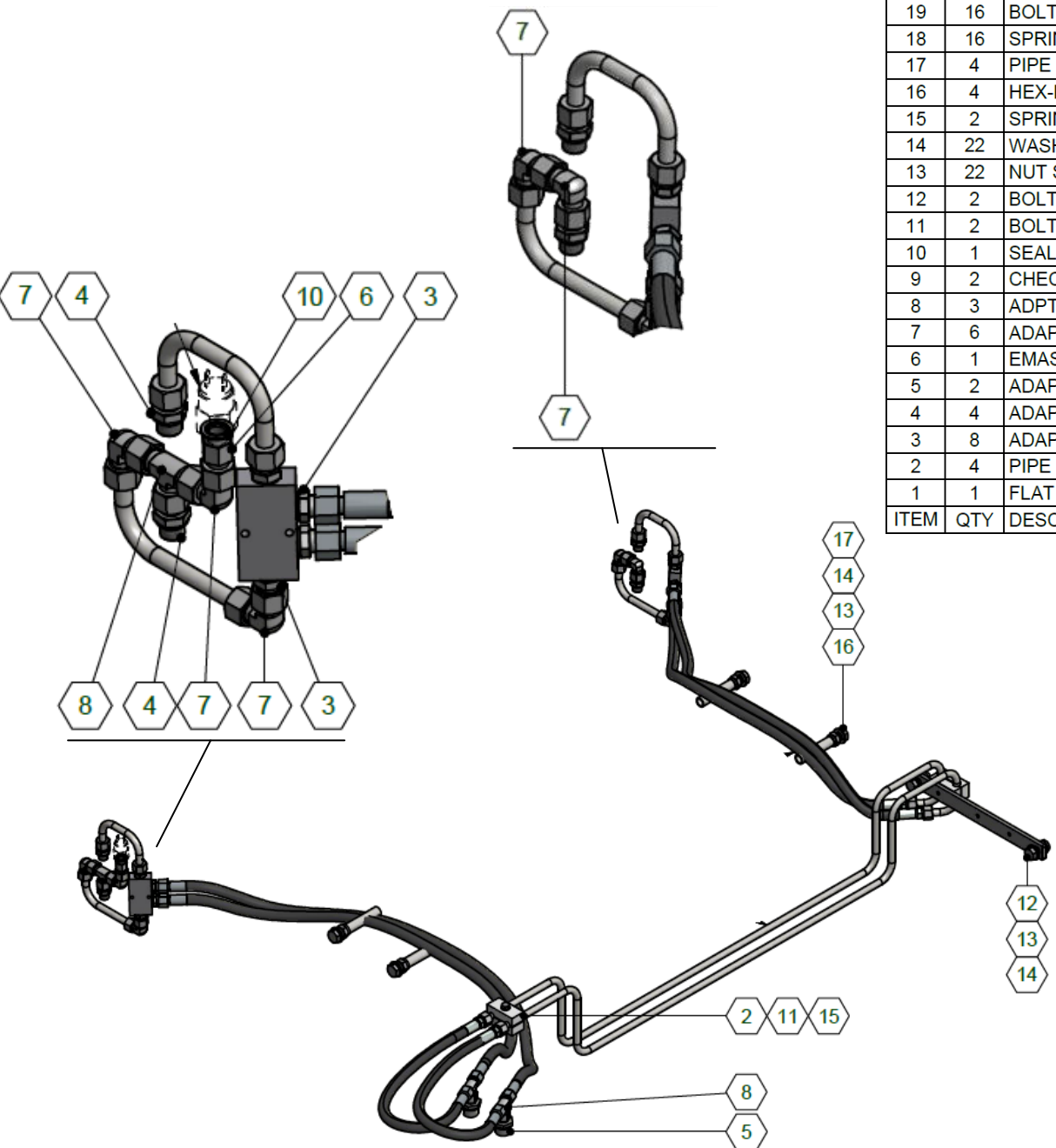




HYDRAULIC CRANE LOCKING-MOUNTING KIT-OT20111- 8

Part	
AE081081	1/1

ITEM	QTY	DESCRIPTION	DIMENSIONS	MATERIAL	PART NO.
19	16	BOLT	M14x40 DIN-933		45011410
18	16	SPRING WASHER	M14 DIN 127 Zp		45110214
17	4	PIPE 18x2		St.	AE080919
16	4	HEX-HEAD BOLT	M14x50 DIN933		45011414
15	2	SPRING WASHER	M8 DIN 127 Zp	Steel ZP	45110208
14	22	WASHER	DIN-125-A-15		45110114
13	22	NUT SELFLOCK	M14 DIN985 8.8 Zp		45081415
12	2	BOLT HEX	M14X35 DIN933 8.8 Zn	Steel ZP	45011408
11	2	BOLT HEX	M8X45 DIN 931 8.8 Zn	Steel ZP	45010824
10	1	SEALING RING 1/4"			36080110
9	2	CHECK VALVE DOUBLE	1/4" BSP	Steel ZP	31000210
8	3	ADPTOR HP-T-SW	SW-12L-12L		26122500
7	6	ADAPTOR HP-90-SW	12LOT-12LIT	Steel ZP	26121900
6	1	EMASD 12LR TAPER AND O-RING	12LXG1/4" DIN 3865	Steel ZP	26121500
5	2	ADAPTOR HP-00-SW	12LOT-3/4" BSPOT	Steel ZP	26120225
4	4	ADAPTOR HP-00-SW-3/8" BSPOT-12LOT		Steel ZP	26120215
3	8	ADAPTOR HP-00-SW	12LOT-1/4" BSPOT	Steel ZP	26120210
2	4	PIPE CLAMP 2X12MM		HMPE	AE080317
1	1	FLAT BAR		S235JR (ST.37-2)	AE080307

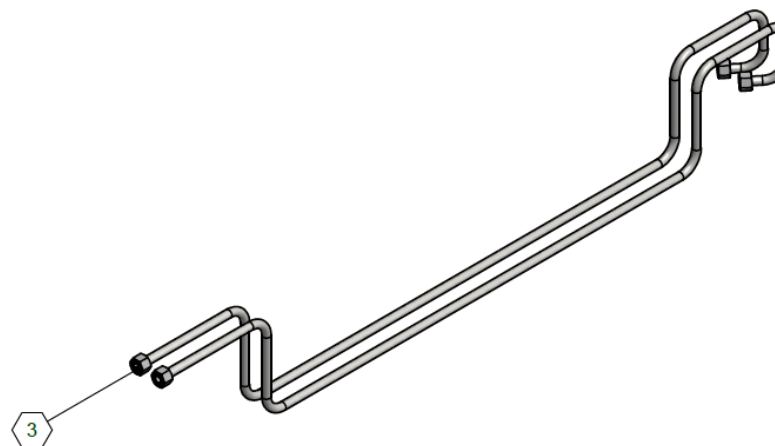
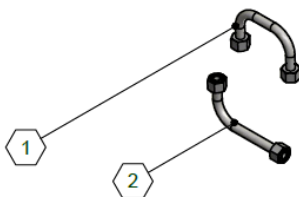




HYDRAULIC CRANE LOCKING-TUBING KIT-OT20111- 9

Part	
AE081082	1/1

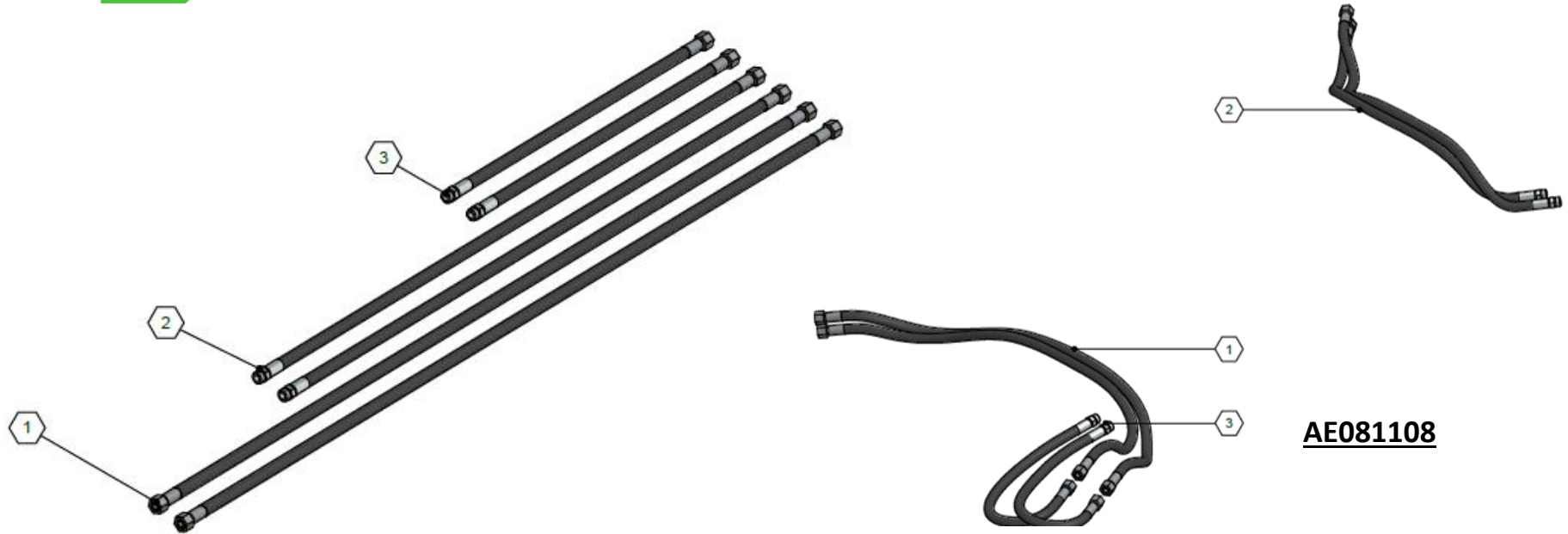
ITEM	QTY	DESCRIPTION	DIMENSIONS	MATERIAL	PART NO.
3	2	PIPE Ø12X1.5 GALVANISED			AE081083
2	2	PIPE Ø12X1.5 GALVANISED			AE081079
1	2	PIPE Ø12X1.5 GALVANISED			AE081077





HYDRAULIC CRANE LOCKING- HOSE KIT SUBFRAME- OT20111-10

Part	
SEE TABLE	1/1



AE081108

POS	20							
	49-SK	51-SK	53-SK	55-SK	57-SK	60-SK	62-SK	65-SK
HOSE KIT	AE081108	AE081108	AE081108	AE081087	AE081087	AE081087	AE081087	AE081088
1	AE081109	AE081109	AE081109	AE081095	AE081095	AE081095	AE081095	AE081096
2	AE080964	AE080964	AE080964	AE081102	AE081102	AE081102	AE081102	AE081103
3	AE080957	AE080957	AE080957	AE080957	AE080957	AE080957	AE080957	AE080957

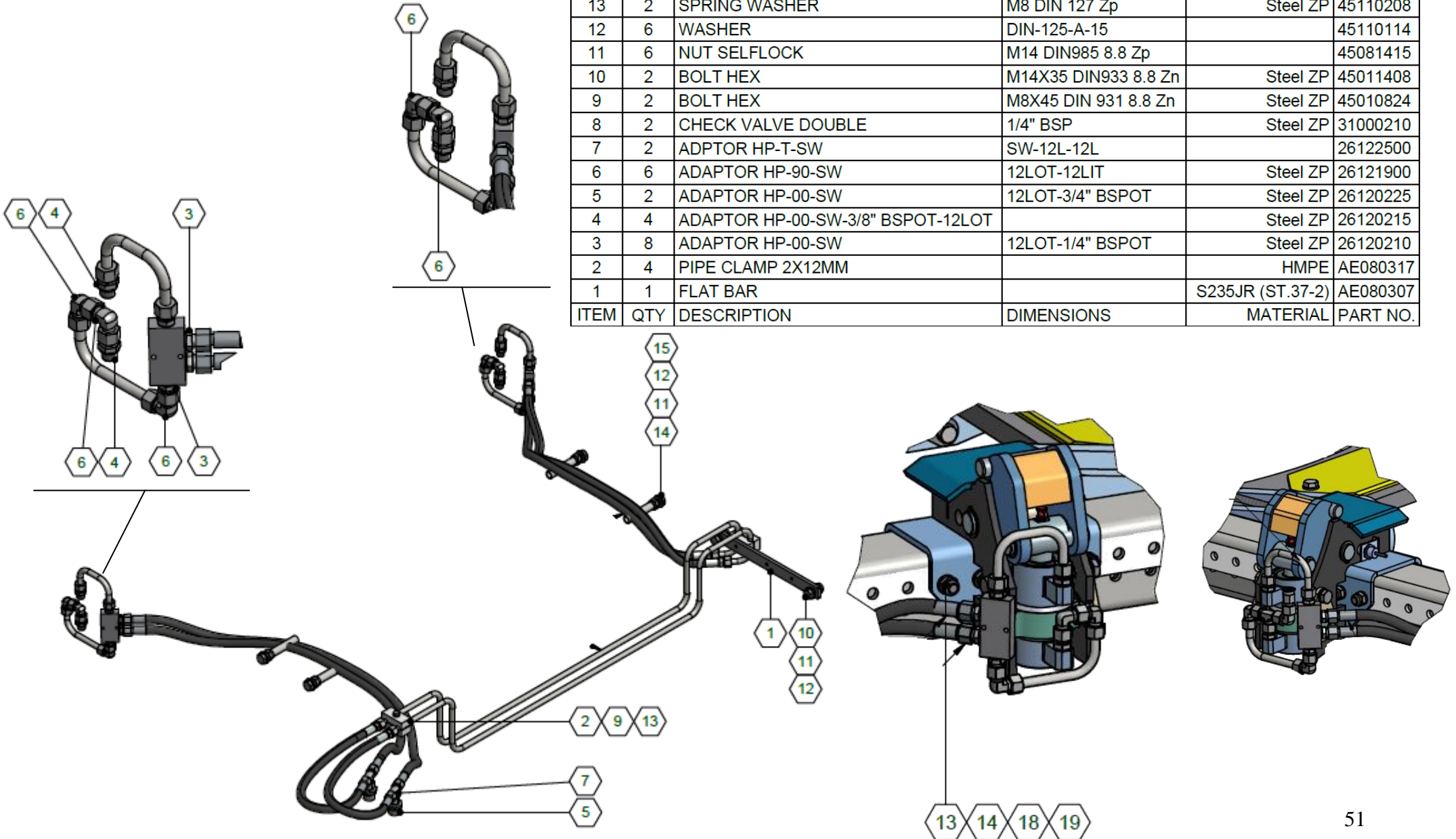
POS	22							
	49-SK	51-SK	53-SK	55-SK	57-SK	60-SK	62-SK	65-SK
HOSE KIT	AE081108	AE081108	AE081108	AE081087	AE081087	AE081087	AE081087	AE081088
1	AE081109	AE081109	AE081109	AE081095	AE081095	AE081095	AE081095	AE081096
2	AE080964	AE080964	AE080964	AE081102	AE081102	AE081102	AE081102	AE081103
3	AE080957	AE080957	AE080957	AE080957	AE080957	AE080957	AE080957	AE080957



HYDRAULIC CRANE LOCKING – MOUNTING KIT FRONT OUTSIDE-OT20112

Part	
AE081138	1/1

15	4	PIPE 18x2		St.	AE080919
14	4	HEX-HEAD BOLT	M14x50 DIN933		45011414
13	2	SPRING WASHER	M8 DIN 127 Zp	Steel ZP	45110208
12	6	WASHER	DIN-125-A-15		45110114
11	6	NUT SELFLOCK	M14 DIN985 8.8 Zp		45081415
10	2	BOLT HEX	M14X35 DIN933 8.8 Zn	Steel ZP	45011408
9	2	BOLT HEX	M8X45 DIN 931 8.8 Zn	Steel ZP	45010824
8	2	CHECK VALVE DOUBLE	1/4" BSP	Steel ZP	31000210
7	2	ADPTOR HP-T-SW	SW-12L-12L		26122500
6	6	ADAPTOR HP-90-SW	12LOT-12LIT	Steel ZP	26121900
5	2	ADAPTOR HP-00-SW	12LOT-3/4" BSPOT	Steel ZP	26120225
4	4	ADAPTOR HP-00-SW-3/8" BSPOT-12LOT		Steel ZP	26120215
3	8	ADAPTOR HP-00-SW	12LOT-1/4" BSPOT	Steel ZP	26120210
2	4	PIPE CLAMP 2X12MM		HMPE	AE080317
1	1	FLAT BAR		S235JR (ST.37-2)	AE080307
ITEM	QTY	DESCRIPTION	DIMENSIONS	MATERIAL	PART NO.

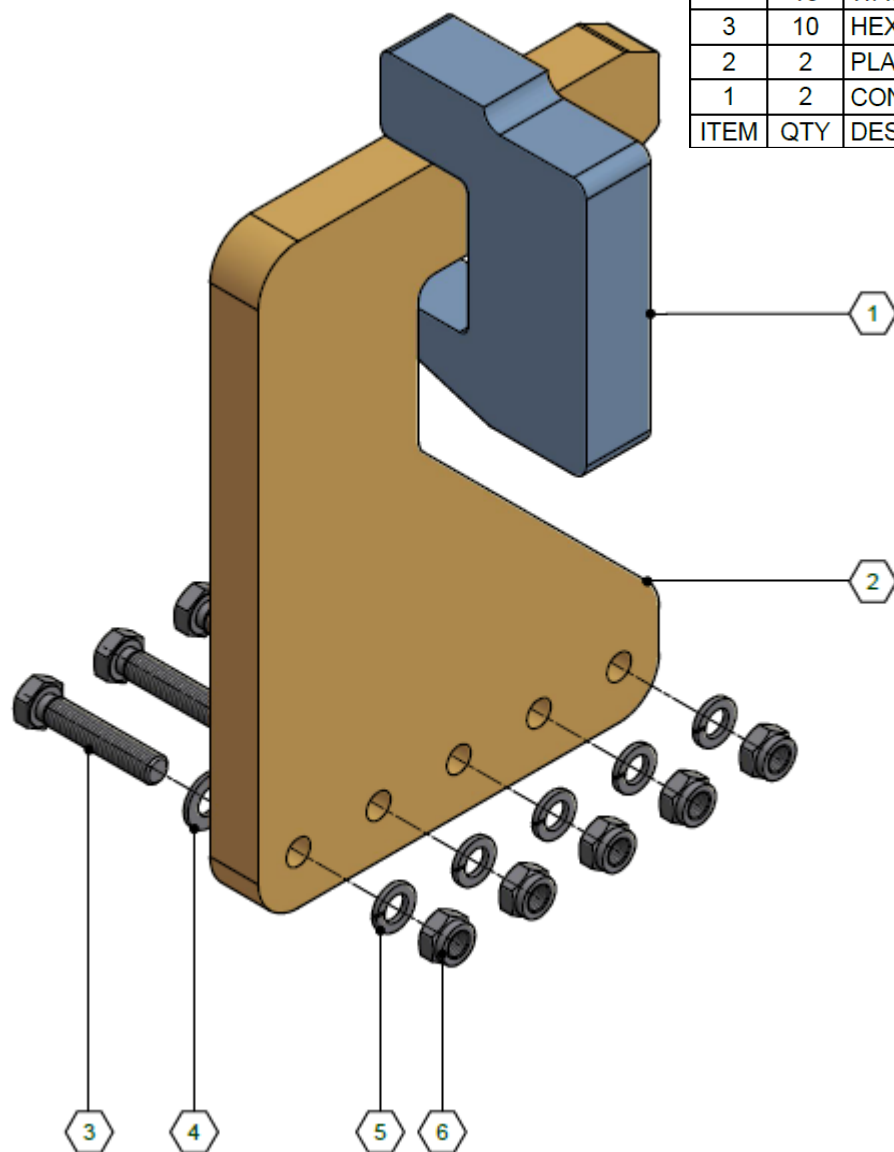


MECHANICAL LOCKING PORTABLE SKIP/CRANE CONTAINER - OT20114

 Part
 AE080906

1/1

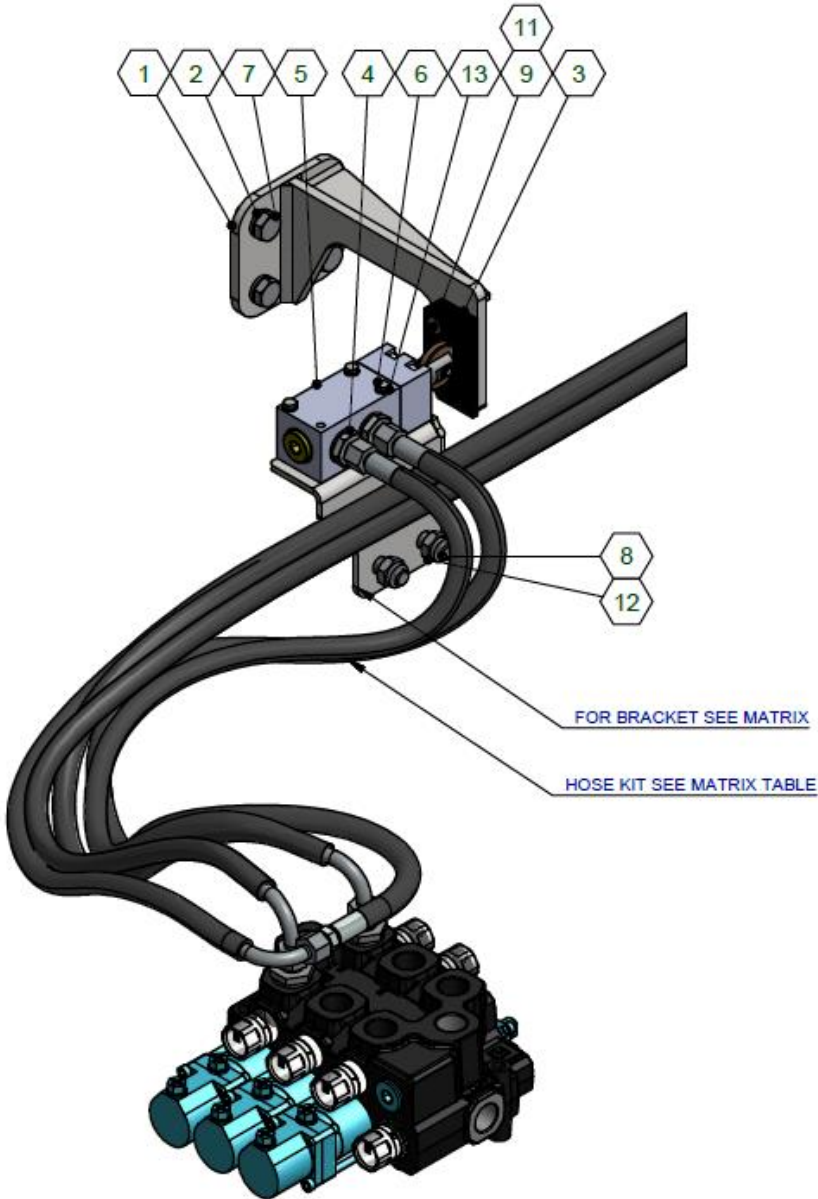
ITEM	QTY	DESCRIPTION	DIMENSIONS	MATERIAL	PART NO.
6	10	NUT SELFLOCK	M14 DIN985 8.8 Zp		45081415
5	10	SPRING WASHER	M14 DIN 127 Zp		45110214
4	10	WASHER	DIN-125-A-15		45110114
3	10	HEX-HEAD BOLT	DIN 933 - M14 x 70		45011425
2	2	PLATE		S355JR (ST.52-3)	AE081041
1	2	CONTAINER DIN LOCK PLATE		S355JR (ST.52-3)	03014002





HYDRAULIC SAFETY TO AVOID UNLOCKING - MOUNTING KIT -OT20115

Part	
AE080899	1/1



13	6	Spring Washer	M6 DIN 127 ZP	Steel ZP	45110206
12	2	NUT SELFLOCK	M14 DIN985 8.8 Zp		45081415
11	2	HEX NUT SELFLOCK	LOCKING NUT M8 DIN98		45080815
10	3	HEX NUT	LOCKING NUT M6 DIN985		45080615
9	2	HEX BOLT SOCKET COUNTERSUNK	M8X50 DIN7991 ZP	Steel ZP	45030820
8	2	BOLT HEX	M14X35 DIN933 8.8 Zn	Steel ZP	45011408
7	3	BOLT HEX	M14X25 DIN-933 8.8 Zn	Steel ZP	45011404
6	3	HEX-HEAD BOLT	M6X70 DIN931 8.8 Zn	Steel ZP	45010636
5	1	2/2 VALVE 1/2"BSP NC, ROLLER OPERATED			31020100
4	2	ADAPTOR HP-00-SW-12LOT-1/2"BSPOT		Steel ZP	26120220
3	1	WEAR PAD		PA6	H0004152
2	5	SPRING WASHER	M14 DIN 127 Zp		45110214
1	1	WELD BRACKET ROLL ENGAGEMENT			AE080895
ITEM	QTY	DESCRIPTION	DIMENSIONS	MATERIAL	PART NO.

HYDRAULIC SAFETY TO AVOID UNLOCKING - HOSE KIT -OT20115

Part
SEE TABLE

1/1

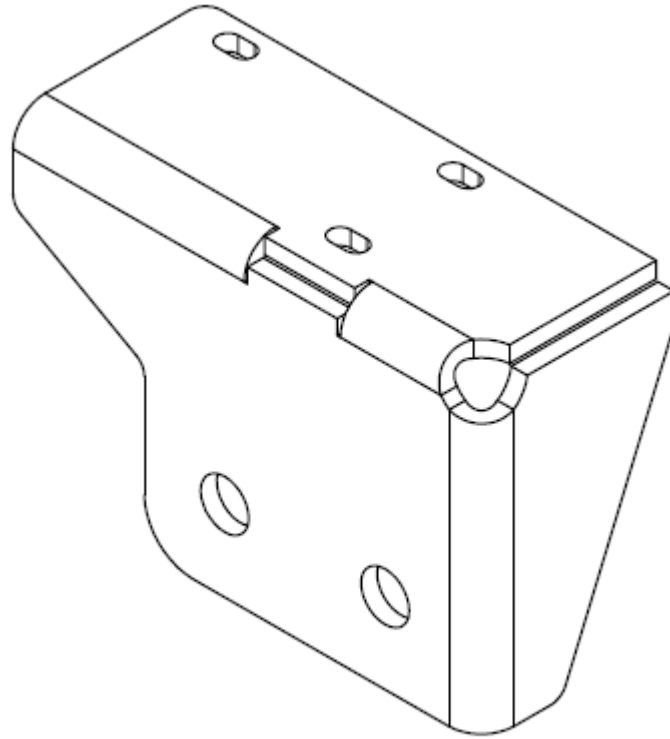


POS	20							
	49-SK	51-SK	53-SK	55-SK	57-SK	60-SK	62-SK	65-SK
HOSE KIT	AE080922	AE080922	AE080922	AE080923	AE080923	AE080923	AE080923	AE080926
1	AE080930	AE080930	AE080930	AE080931	AE080931	AE080931	AE080931	AE080934
2	AE080938	AE080938	AE080938	AE080939	AE080939	AE080939	AE080939	AE080942

POS	22							
	49-SK	51-SK	53-SK	55-SK	57-SK	60-SK	62-SK	65-SK
HOSE KIT	AE080922	AE080922	AE080922	AE080923	AE080923	AE080923	AE080923	AE080926
1	AE080930	AE080930	AE080930	AE080931	AE080931	AE080931	AE080931	AE080934
2	AE080938	AE080938	AE080938	AE080939	AE080939	AE080939	AE080939	AE080942

HYDRAULIC SAFETY TO AVOID UNLOCKING - BRACKET -OT20115

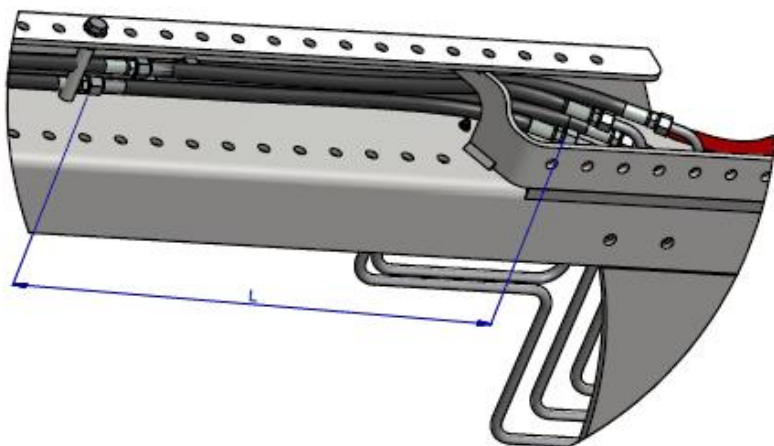
Part	
AE080896	1/1



DEVIATING VALVE BLOCK POSITION -OT20116

 Part
 AE080950

1/1



LENGTH "L" = ('DV'-3325) mm

HOSE ARTICLE NUMBER	HOSE LENGTH " L"
AE080946	125
AE080947	150
AE080948	200
AE080949	250
AE080951	300
AE080952	350
AE080953	400
AE080954	450
AE080955	500
AE080956	550
AE080957	600
AE080958	650
AE080959	700
AE080960	750
AE080961	800
AE080945	850
AE080963	900
AE080944	950
AE080965	1000
AE080966	1050
AE080943	1100
AE080968	1150

SYSTEM TYPE	MAX POSSIBLE "DV"
47-S	3525
49-S	3725
51-S	3875
53-S	4075
55-S	4275
57-S	4475
60-S	3775
62-S	4025
65-S	4125
49-SK	3525
51-SK	3525
53-SK	3525
55-SK	4075
57-SK	4075
60-SK	4075
62-SK	4075
65-SK	4175

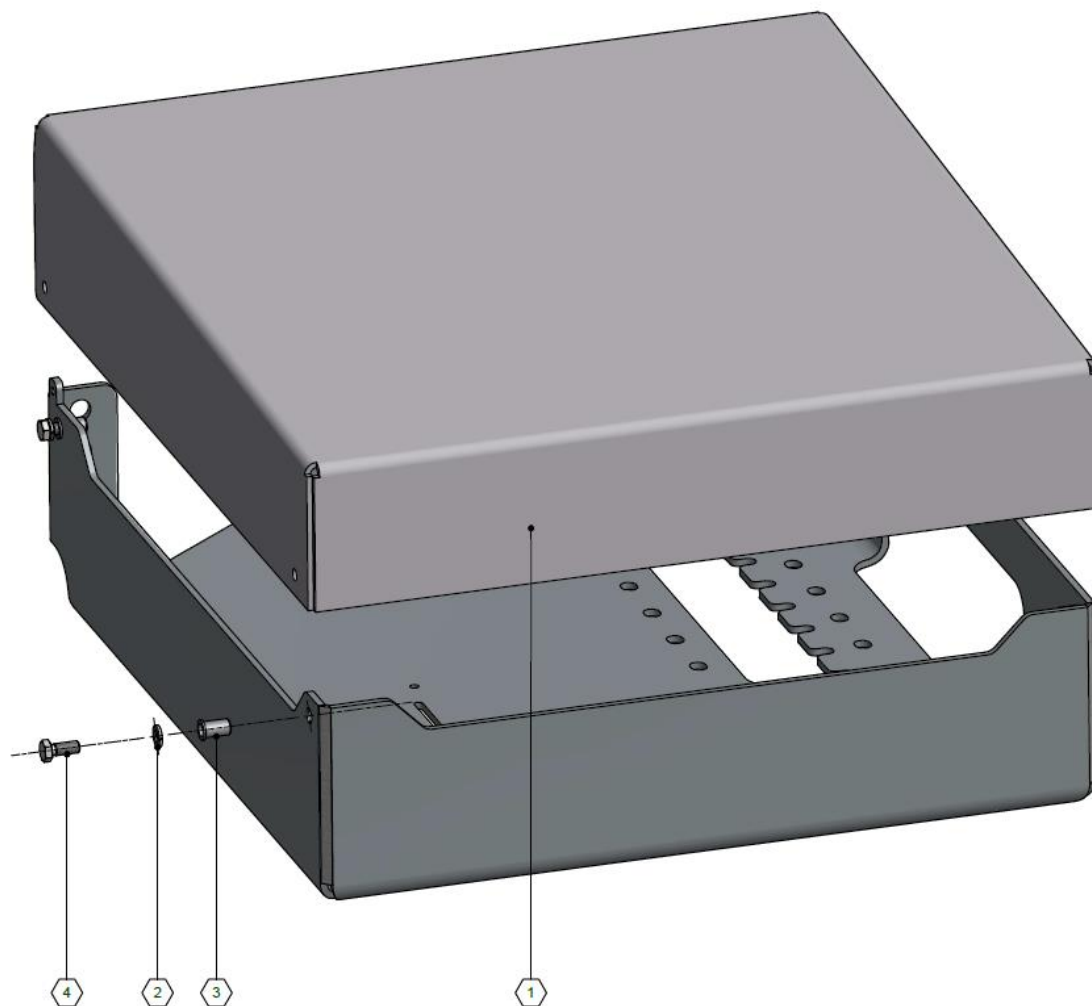


ALUMINIUM VALVE BLOCK COVER – OT50124

Part
AE081224

1/1

4	4	Hex-Head Bolt	M8X20 DIN933 8.8 Zn		45010812
3	4	FLAT HEAD RIVETED NUT	M8 Ød=11 l=20 3.0-5.5mm	Steel ZP	45190815
2	4	SPRING WASHER	M8 DIN 127 Zp	Steel ZP	45110208
1	1	VALVE BLOCK COVER		Aluminum Checkerplate	AE080199
ITEM	QTY	DESCRIPTION	DIMENSIONS	MATERIAL	PART NO.

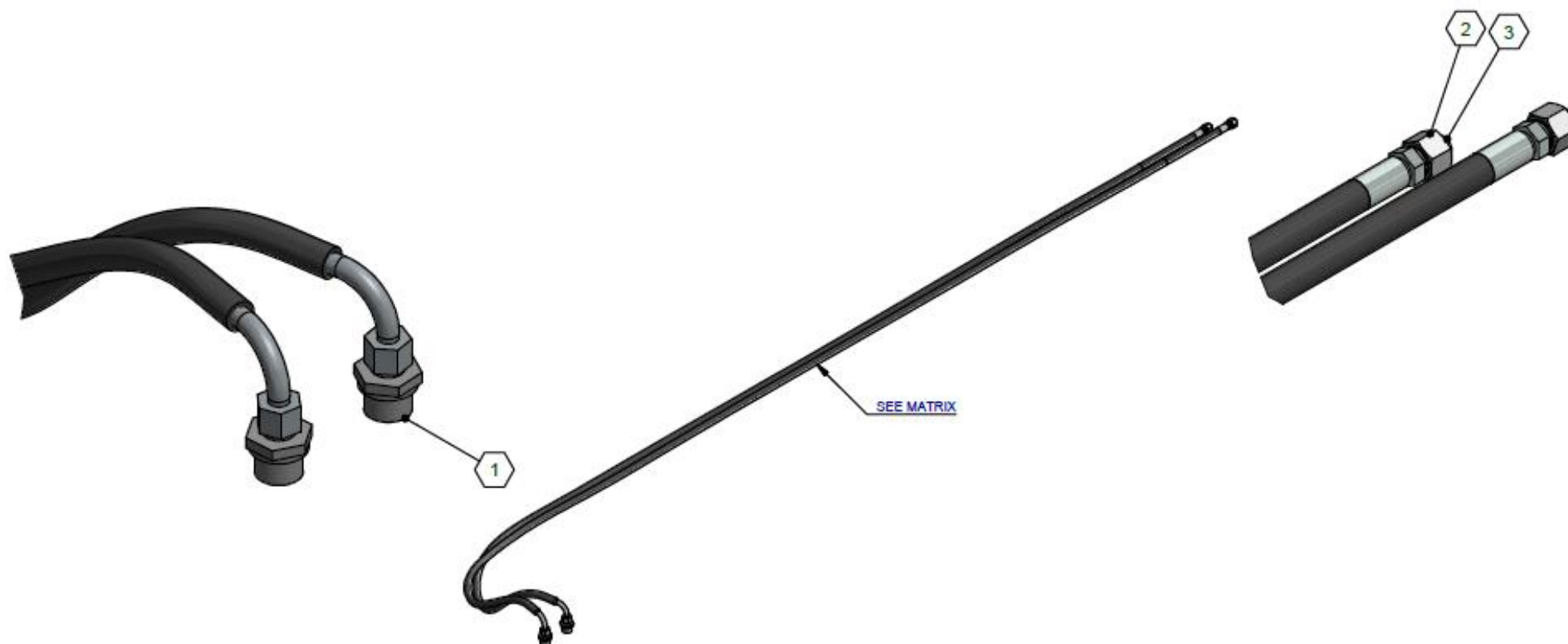




HYDRAULIC FUNCTION – MOUNTING KIT- OT20118

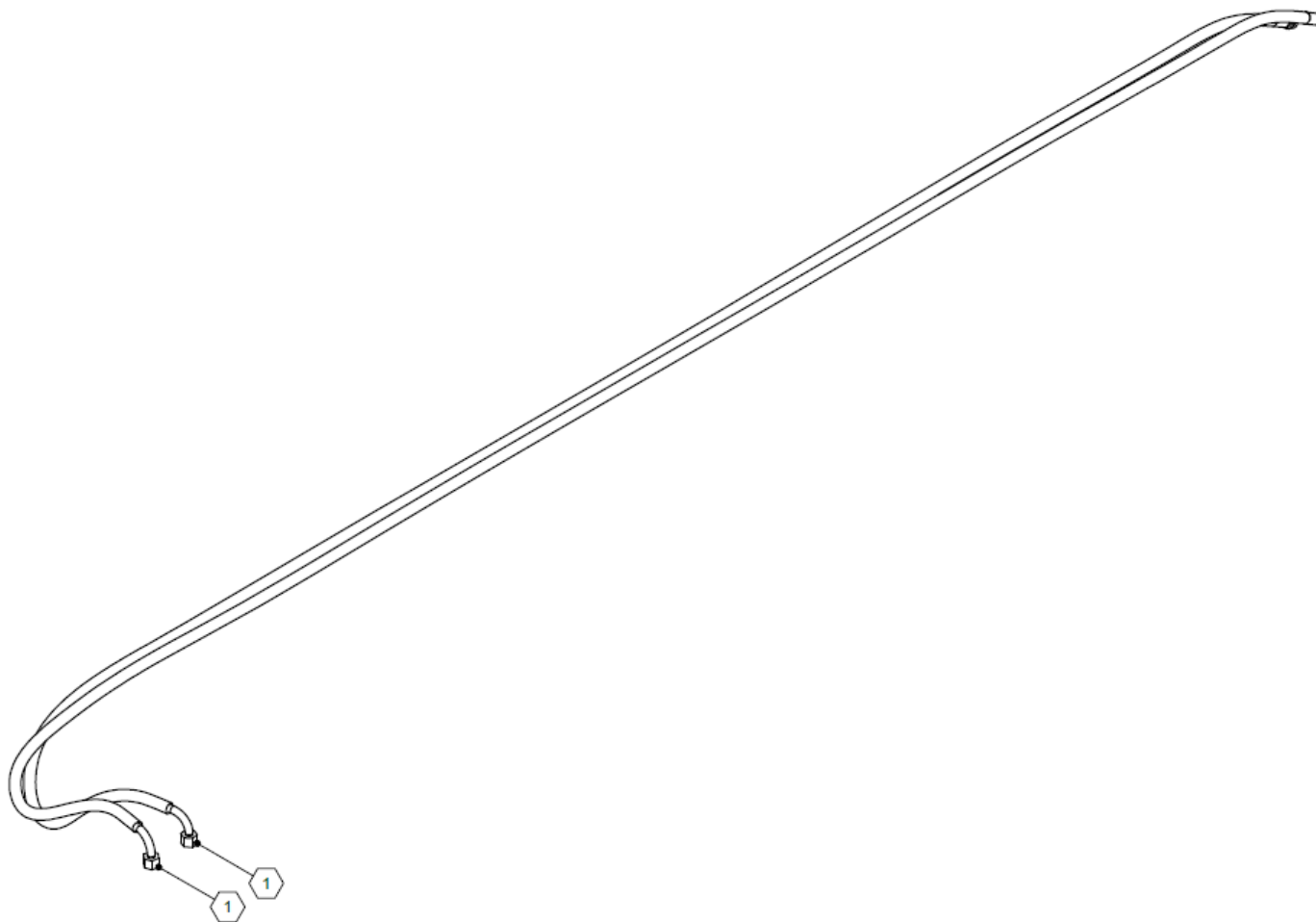
Part	
AE081000	1/1

3	2	BLIND PLUG	12L	Steel ZP	26123600
2	2	SWIVEL NUT	12L	Steel ZP	26123500
1	2	ADAPTOR HP-00-SW	12LOT-3/4" BSPOT	Steel ZP	26120225
ITEM	QTY	DESCRIPTION	DIMENSIONS	MATERIAL	PART NO.



HYDRAULIC FUNCTION – HOSE KIT- OT20118		Part	
		AE080593	1/1

1	2	HP10-3300-3/8"-01-91-350BAR			AE080312
---	---	-----------------------------	--	--	----------

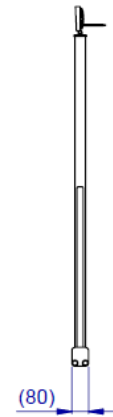
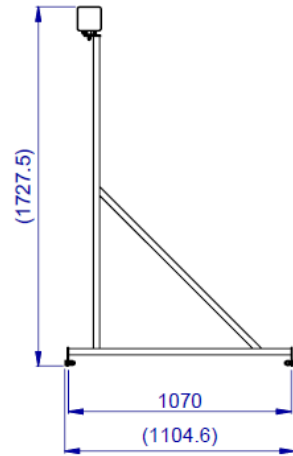
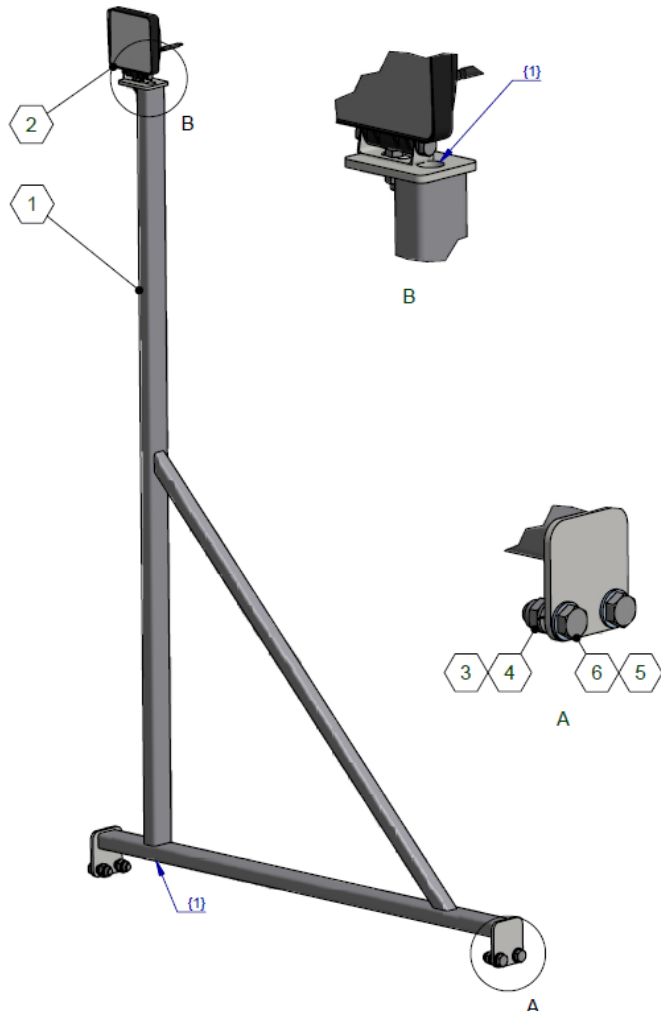




WORKING LIGHT ON SUPPORT- OT20130

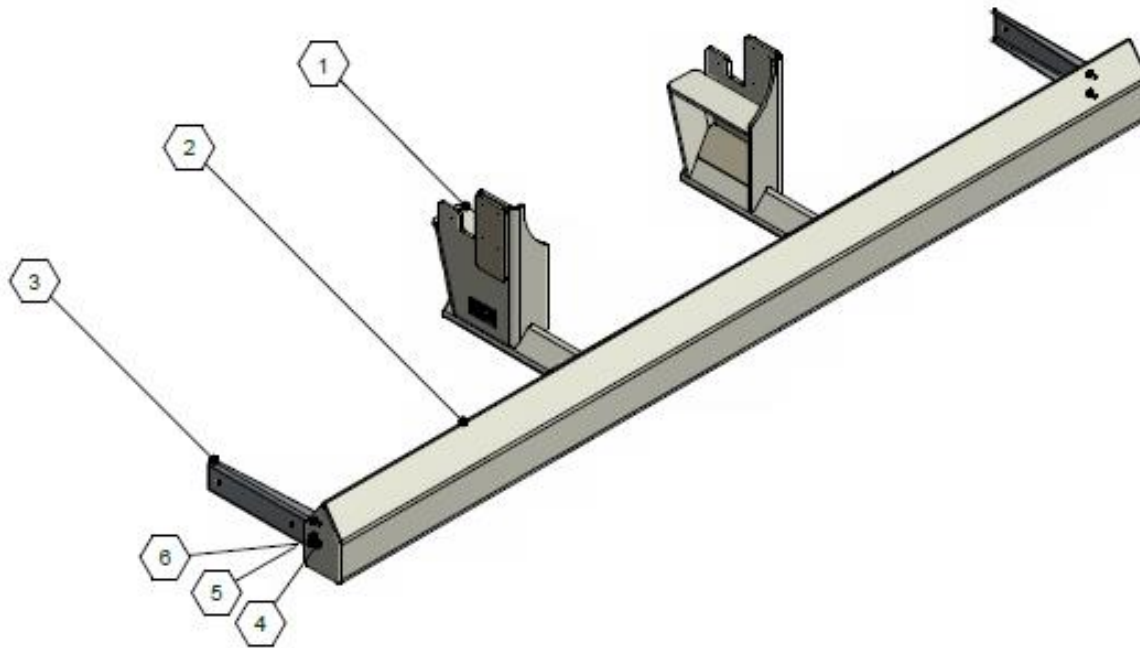
Part	
AE081438	1/1

6	4	HEX HEAD BOLT	M14x40 DIN933	8.8 GEOMET 321 A	45011410
5	4	PLAIN WASHER	M14 DIN125-1A	GEOMET 321 A	45110114
4	4	LOCK NUT	M14 DIN985	8 Fe/Zn 7 IV S	45081415
3	4	SPRING WASHER	M14 DIN127	GEOMET 321 A	45110214
2	1	LED WORKLIGHT			AE081864
1	1	WORK LIGHT SUPPORT			AE081437
POS	QTY	DESCRIPTION	DIMENSIONS	MATERIAL	PART NO. NT



TITAN BUMPER SET, FIXED, CH = 1050 MM - OT30101	Part	
	31203054	1/1

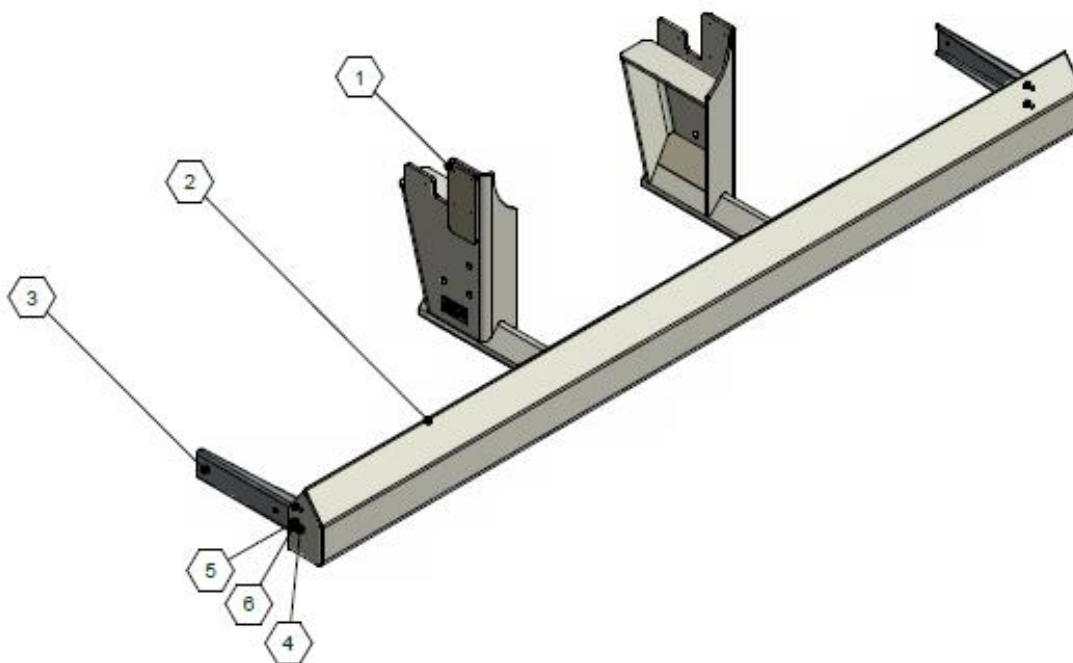
Pos.	Part number	Q.ty	Description
01	31203055	1	BRACKET SET
02	09204200Z	1	REAR PROTECTOR HYVA BLACK
03	09204206	2	REAR PROT- SIDEPROT- SUPPORT- VAR
04	15014666	4	BOLT- HABH-8x20-LOW INSIDE
05	15020051	4	WASHER M8 DIN125A
06	15022020	4	SPRING WASHER-M8-DIN127B



TITAN BUMPER SET, FIXED, CH = 1150 MM - OT30102

Part	
31203064	1/1

Pos.	Part number	Q.ty	Description
01	31203065	1	BRACKET SET
02	09204200Z	1	REAR PROTECTOR HYVA BLACK
03	09204206	2	REAR PROT- SIDEPROT- SUPPORT-VAR
04	15014666	4	BOLT- HABH-8x20-LOW INSIDE
05	15020051	4	WASHER M8 DIN125A
06	15022020	4	SPRING WASHER-M8-DIN127B

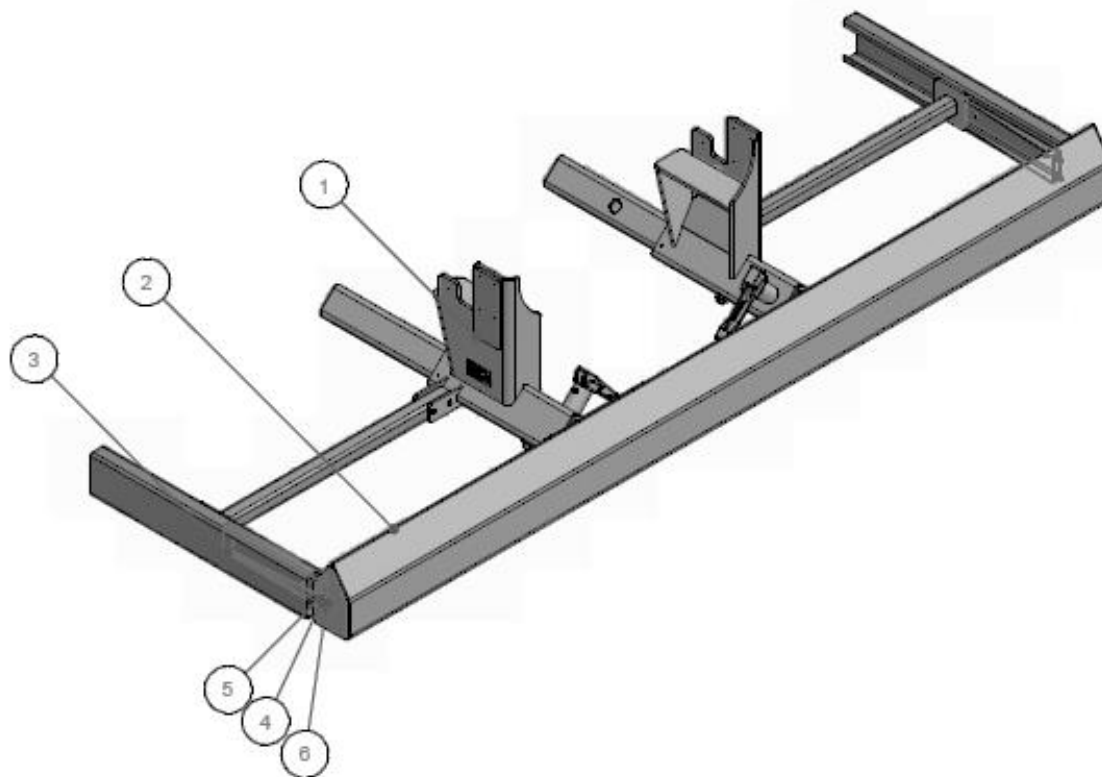


BUMPER SET, MANUAL CH=1050mm,S=500mm-OT30103

Part
31203034

1/1

Pos.	Part number	Q.ty	Description
01	31203035	1	BRACKET SET
02	09204200Z	1	REAR PROTECTOR HYVA BLACK
03	09204206	2	REAR PROT- SIDEPROT- SUPPORT- VAR
04	15022020	4	BOLT- HABH-8x20-LOW INSIDE
05	15020051	4	WASHER M8 DIN125A
06	15014666	4	SPRING WASHER-M8-DIN127B

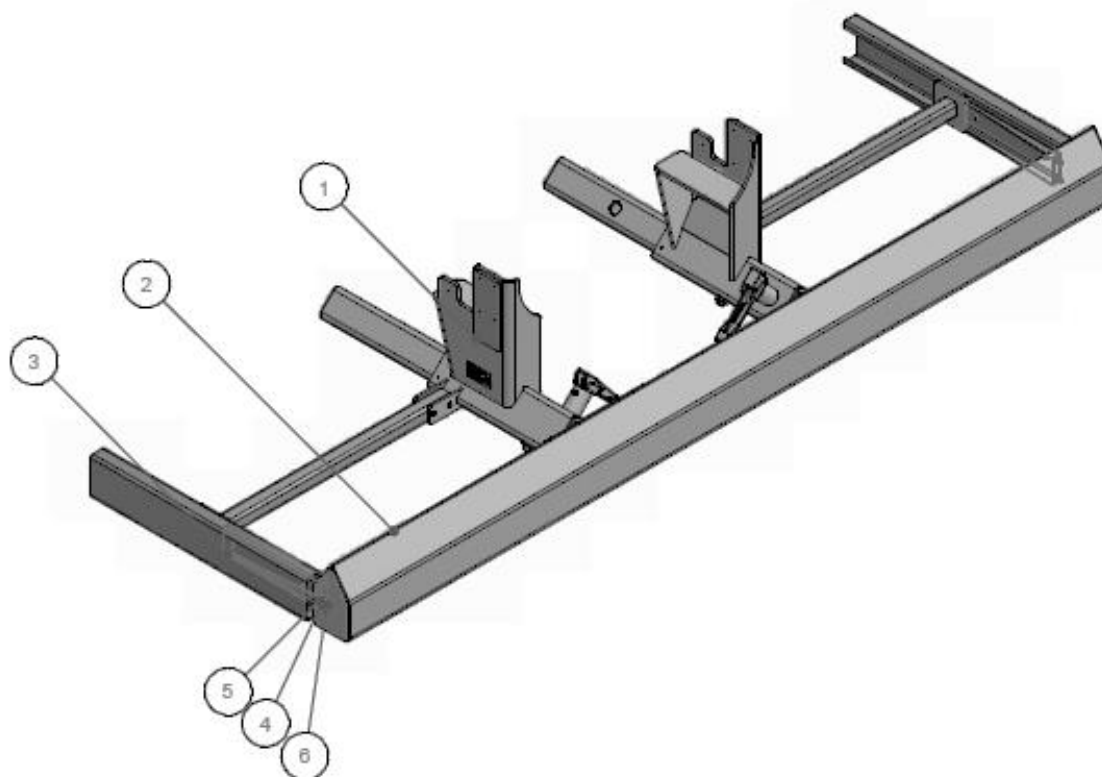


BUMPER SET, MANUAL CH=1150mm,S=500mm-OT30104

Part
31203044

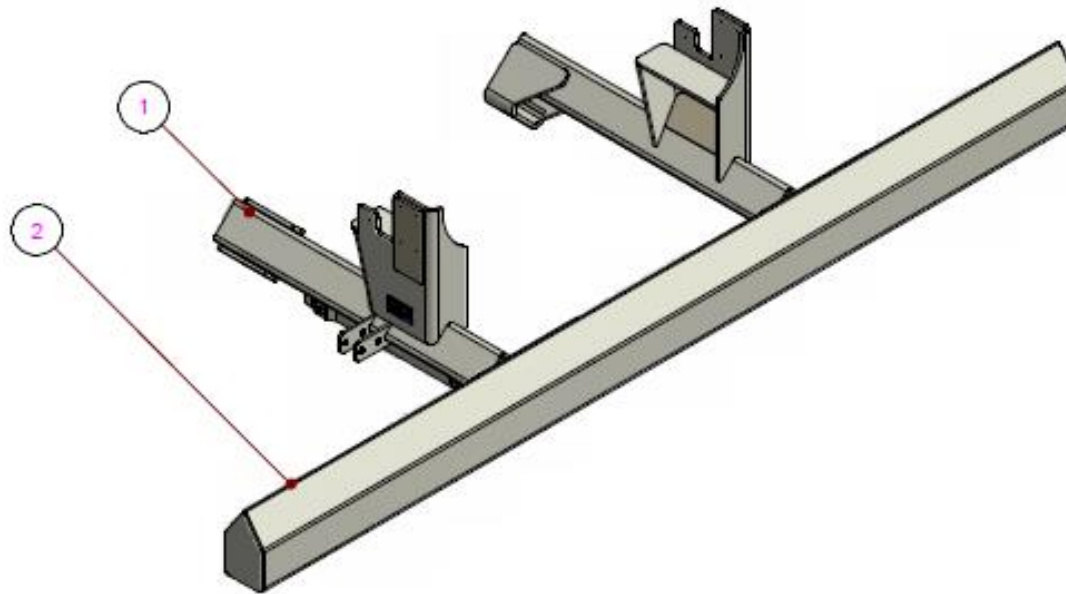
1/1

Pos.	Part number	Q.ty	Description
01	31203035	1	BRACKET SET
02	09204200Z	1	REAR PROTECTOR HYVA BLACK
03	09204206	2	REAR PROT- SIDEPROT- SUPPORT- VAR
04	15022020	4	BOLT- HABH-8x20-LOW INSIDE
05	15020051	4	WASHER M8 DIN125A
06	15014666	4	SPRING WASHER-M8-DIN127B



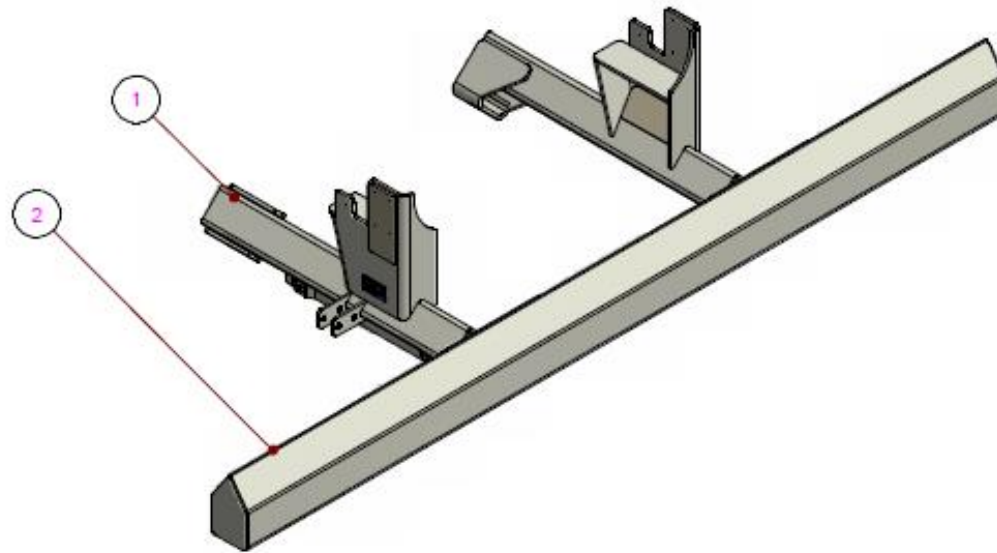
BUMPER, HYDRAULIC ADJUST CH=1150mm, S=500mm/OT30105	Part	
	31203014	1/1

Pos.	Part number	Q.ty	Description
01	31203015	1	BRACKET SET
02	09204200Z	1	REAR PROTECTOR HYVA BLACK



BUMPER, HYDRAULIC ADJUST CH=1050mm, S=500mm/OT30106	Part	
	31203024	1/1

Pos.	Part number	Q.ty	Description
01	31203025	1	BRACKET SET
02	09204200Z	1	REAR PROTECTOR HYVA BLACK



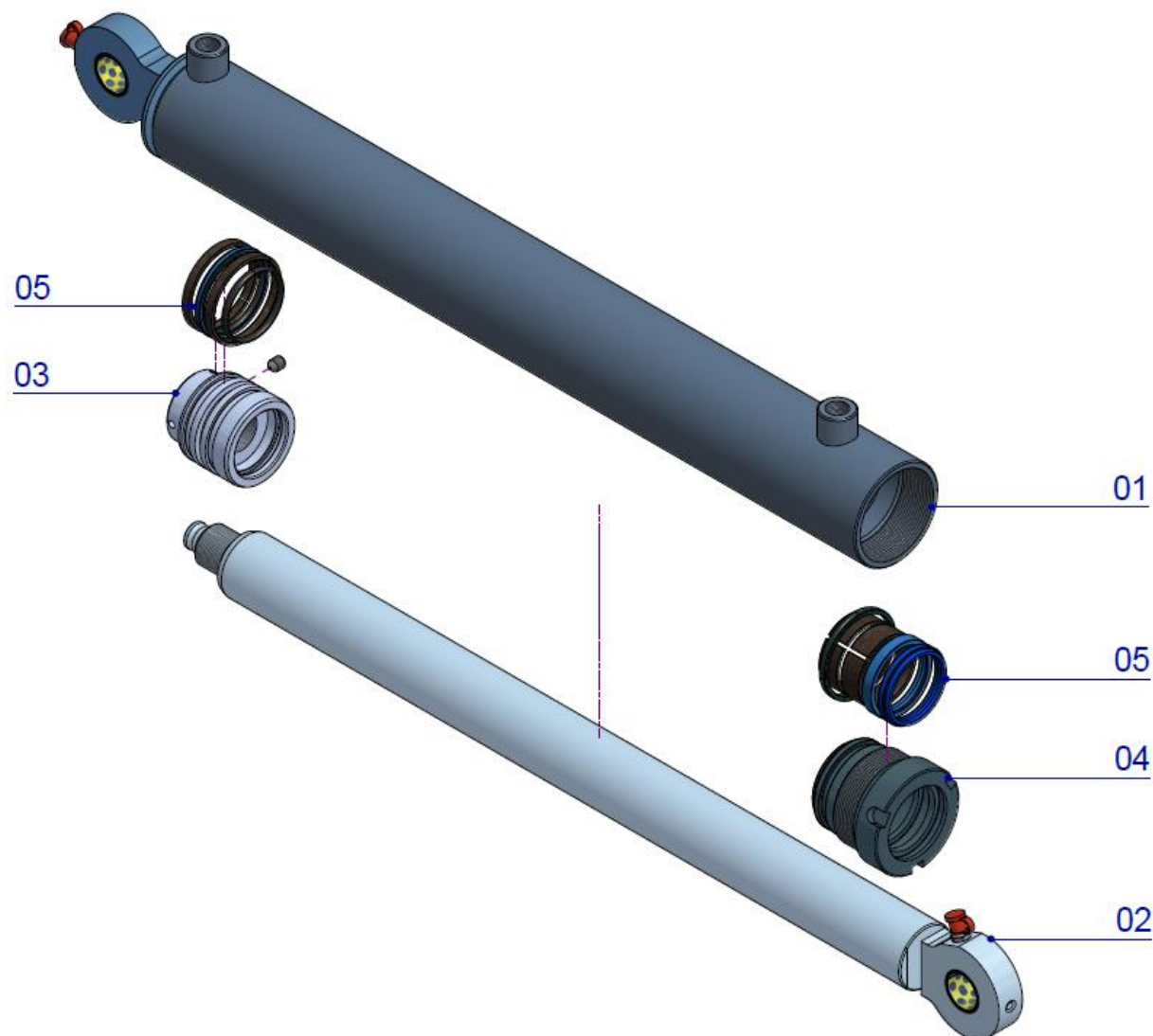
HYDRAULIC CYLINDER 60X45-500 - OT30105 / OT30106

Part

09050807

1/1

Pos.	Part number	Q.ty	Description
01	5010401	1	DA BASE
02	5010405	1	DA ROD
03	5101107	2	DA PISTON
04	5101208	1	DA GLAND
05	761080120	1	SEAL KIT

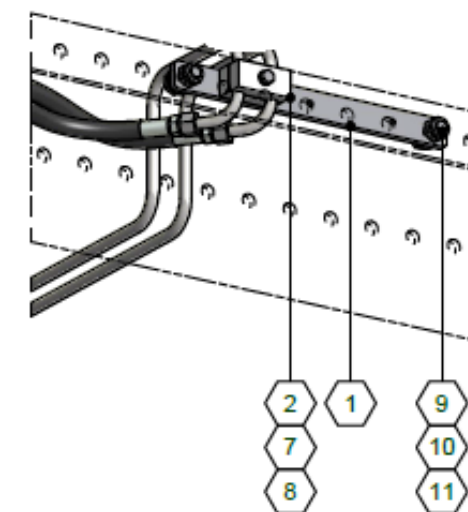
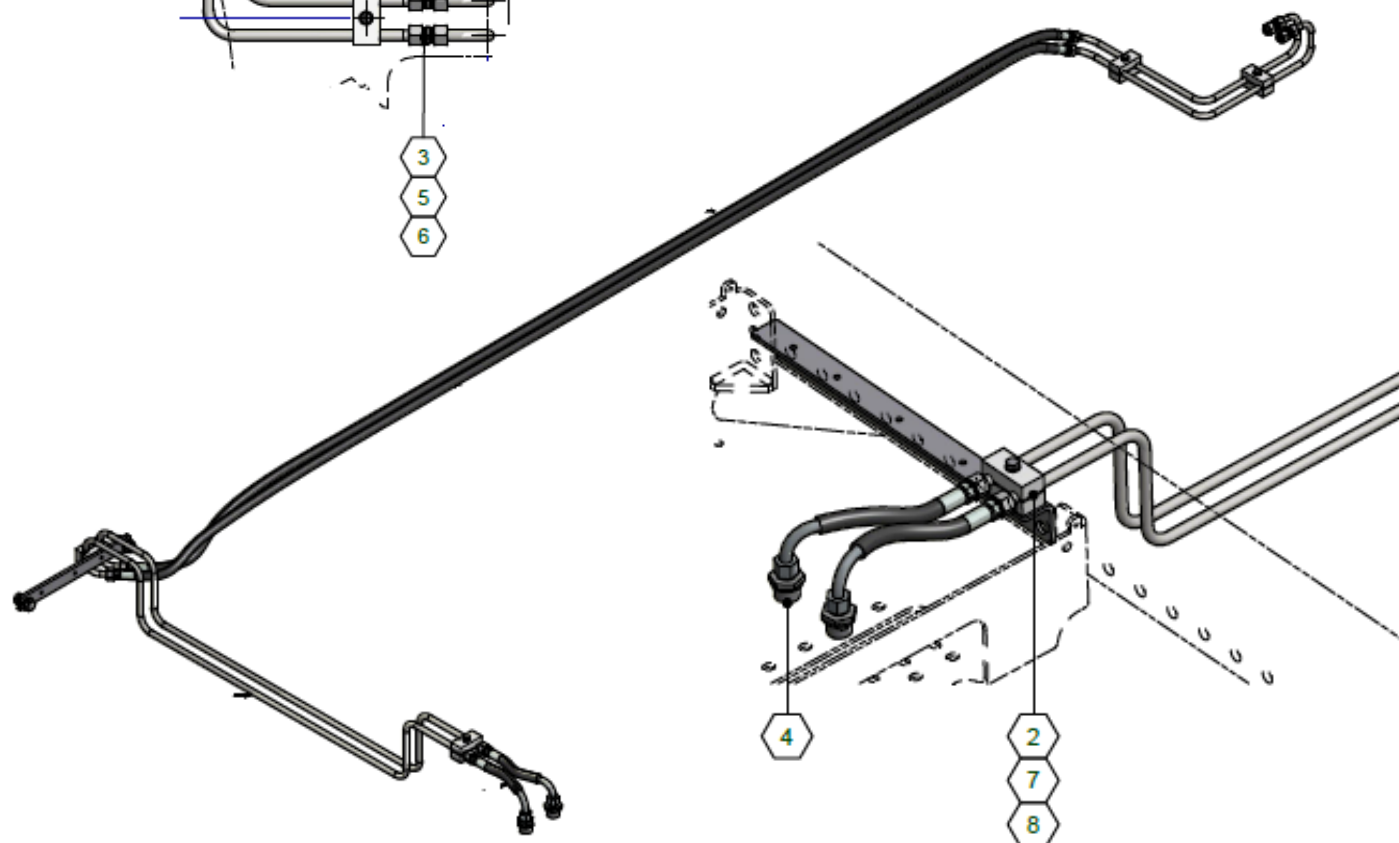
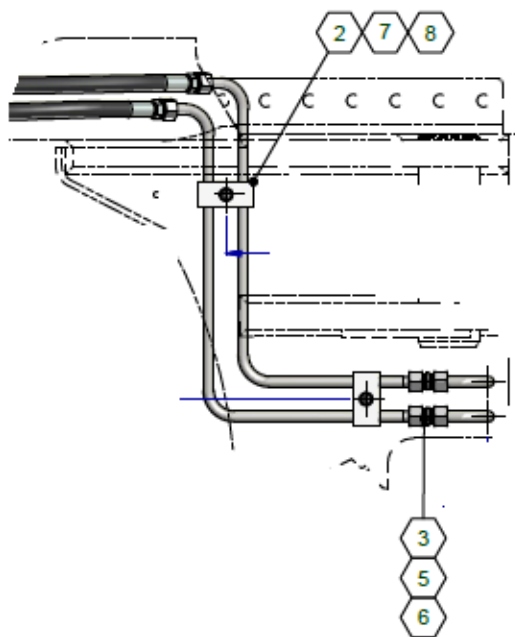


MOUNTING KIT 12MM IN SUBFRAME - OT30105 / OT30106/112

Part
AE080598

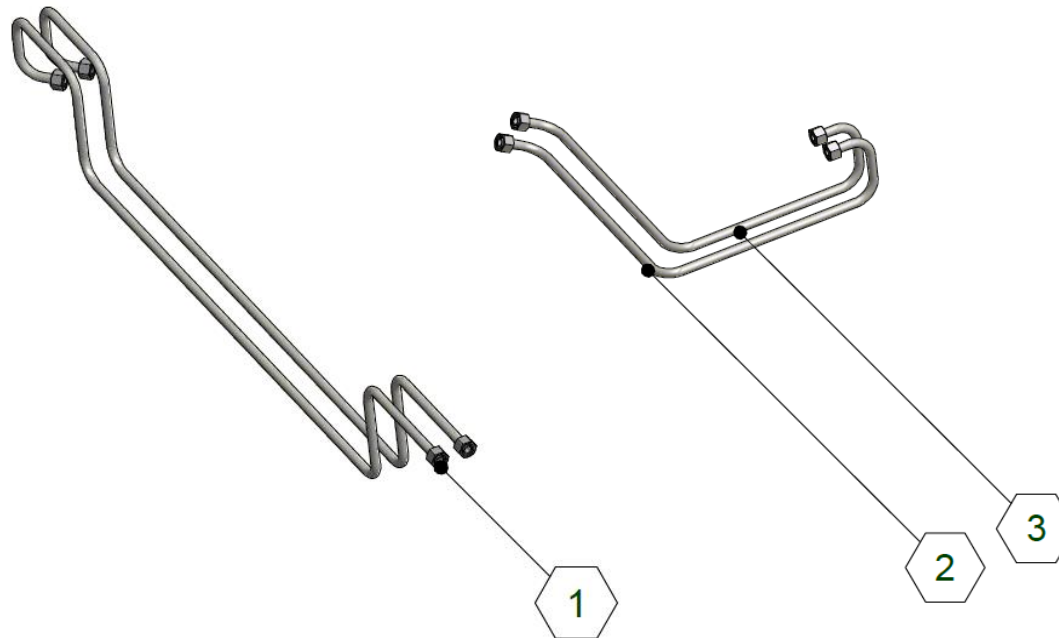
1/1

ITEM	QTY	DESCRIPTION	DIMENSIONS	MATERIAL	PART NO.
11	2	WASHER	DIN-125-A-15		45110114
10	2	NUT SELFLOCK	M14 DIN985 8.8 Zp		45081415
9	2	BOLT HEX	M14X35 DIN933 8.8 Zn	Steel ZP	45011408
8	4	SPRING WASHER	M8 DIN 127 Zp	Steel ZP	45110208
7	4	BOLT HEX	M8X45 DIN 931 8.8 Zn	Steel ZP	45010824
6	2	BLIND PLUG	12L	Steel ZP	26123600
5	2	SWIVEL NUT	12L	Steel ZP	26123500
4	2	ADAPTOR HP-00-SW	12LOT-3/4" BSPOT	Steel ZP	26120225
3	2	STRAIGHT ADAPTOR	12L	Steel ZP	26120100
2	8	PIPE CLAMP 2X12MM		HMPE	AE080317
1	1	FLAT BAR		S235JR (ST.37-2)	AE080307



TUBE KIT 12MM IN SUBFRAME - OT30105 / OT30106/ OT30112	Part	
	AE080356	1/1

ITEM	QTY	DESCRIPTION	DIMENSIONS	MATERIAL	PART NO.
3	1	PIPE Ø12X1.5 GALVANISED			AE080359
2	1	PIPE Ø12X1.5 GALVANISED			AE080357
1	2	PIPE Ø12X1.5 GALVANISED			AE080318

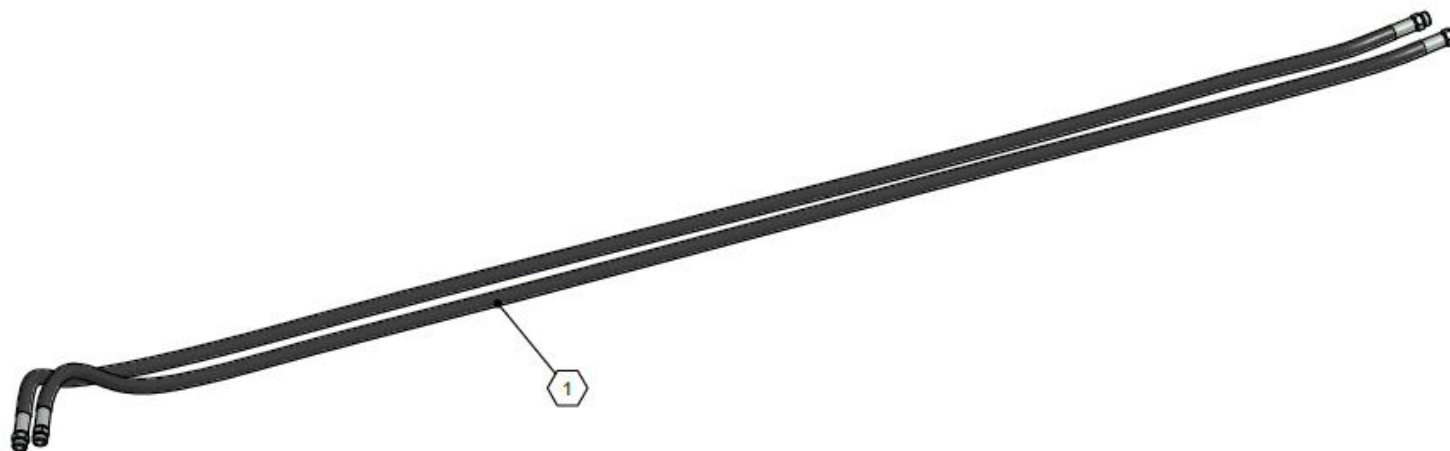




HOSE KIT 12MM IN SUBFRAME - OT30105 / OT30106/ OT30112

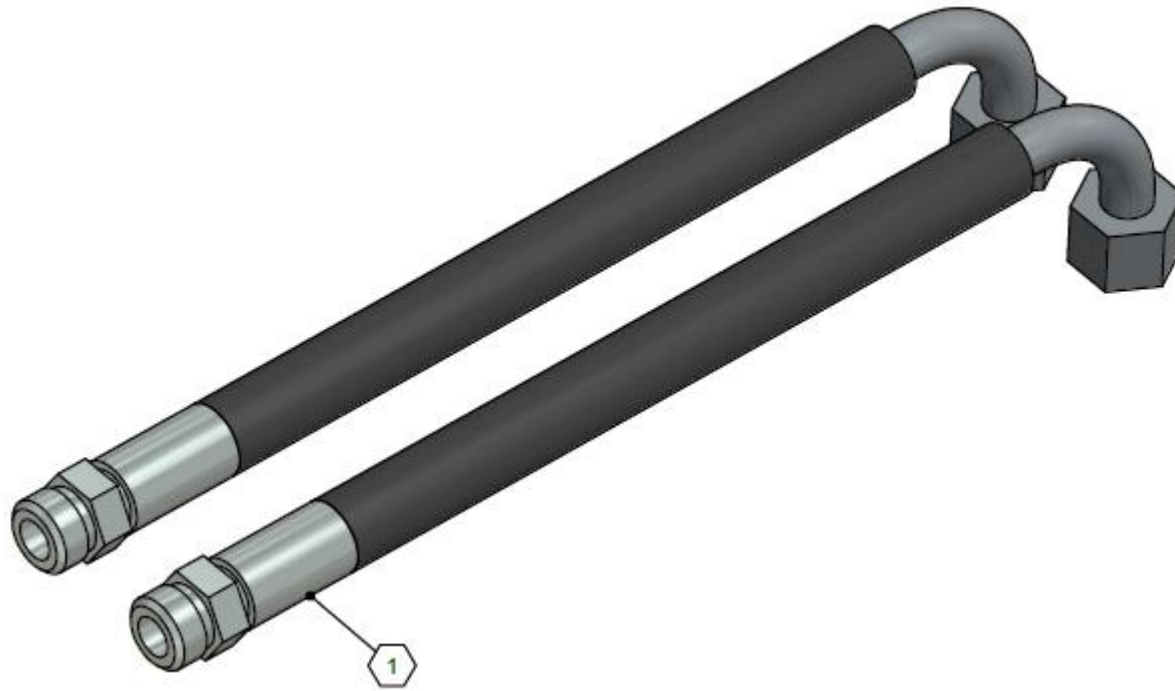
Part	
AE080880	1/1

1	2	HP10-2750-3/8"-01-01-350BAR			AE080313
ITEM	QTY	DESCRIPTION	DIMENSIONS	MATERIAL	PART NO.



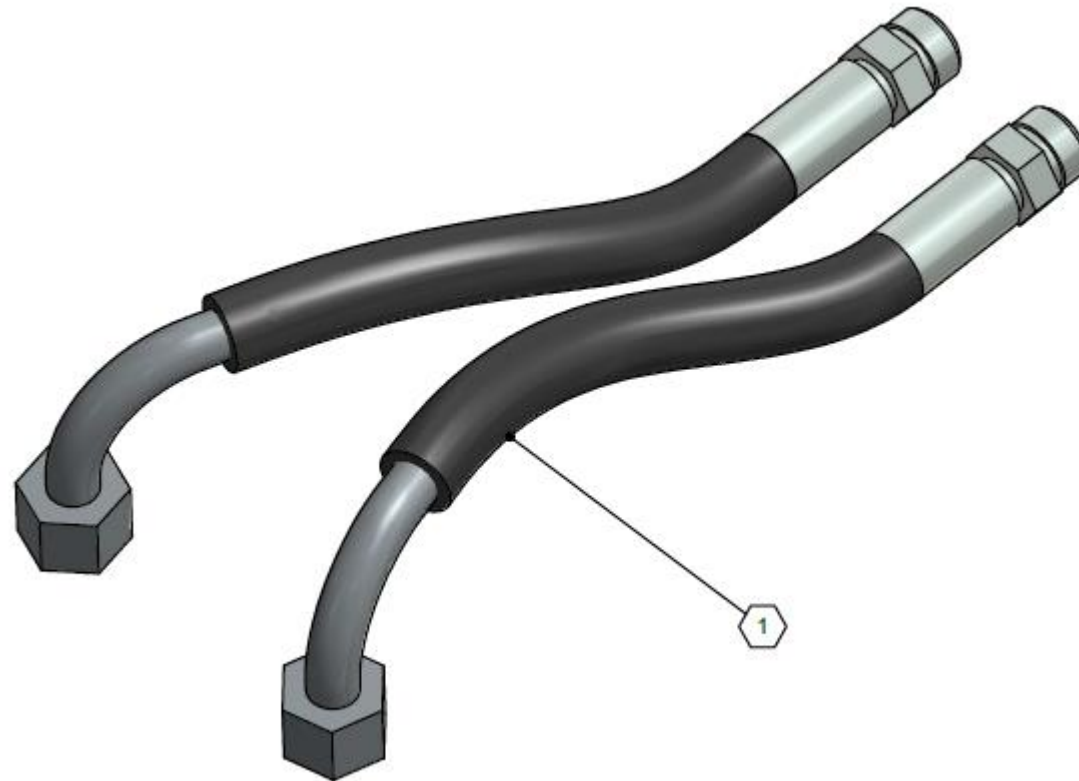
HOSE KIT VALVEBLOCK-3SECTION/OT30105/OT30106/OT30112	Part	
	AE080979	1/1

ITEM	QTY	DESCRIPTION	DIMENSIONS	MATERIAL	PART NO.
1	2	HP10-285-3/8"-01-91-350BAR			AE080978



HOSE KIT VALVEBLOCK-4SECTION/OT30105/OT30106/OT30112		Part	
		AE080882	1/1

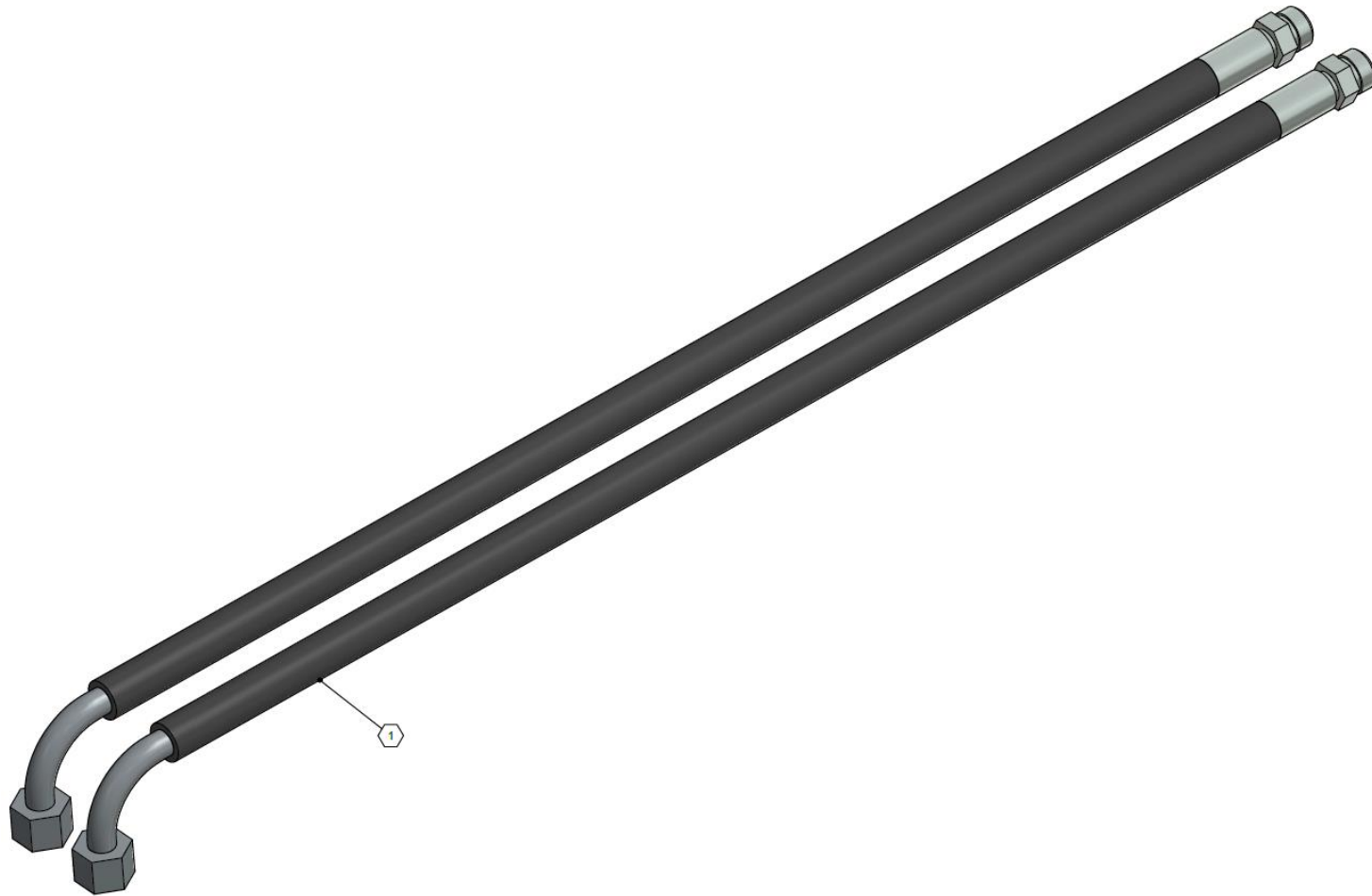
1	2	HP10-235-3/8"-01-91-350BAR			AE080316
ITEM	QTY	DESCRIPTION	DIMENSIONS	MATERIAL	PART NO.





HOSE KIT VALVEBLOCK-4SECTION/OT30105/OT30106/OT30112	Part	
	AE080883	1/1

1	2	HP10-685-3/8"-01-91-350BAR			AE080885
ITEM	QTY	DESCRIPTION	DIMENSIONS	MATERIAL	PART NO.

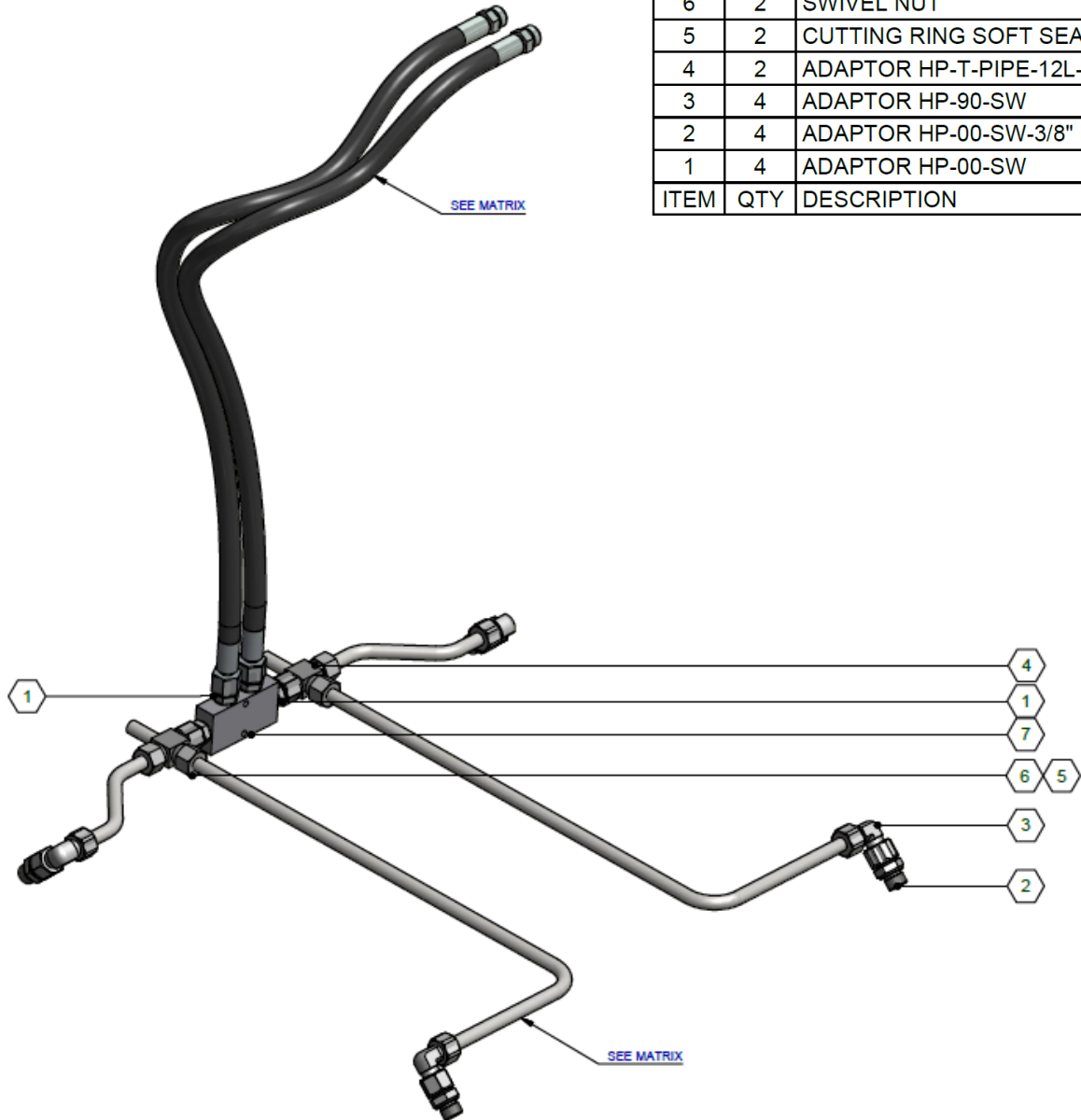




MOUNTING KIT 12MM BUMPER - OT30105 / OT30106

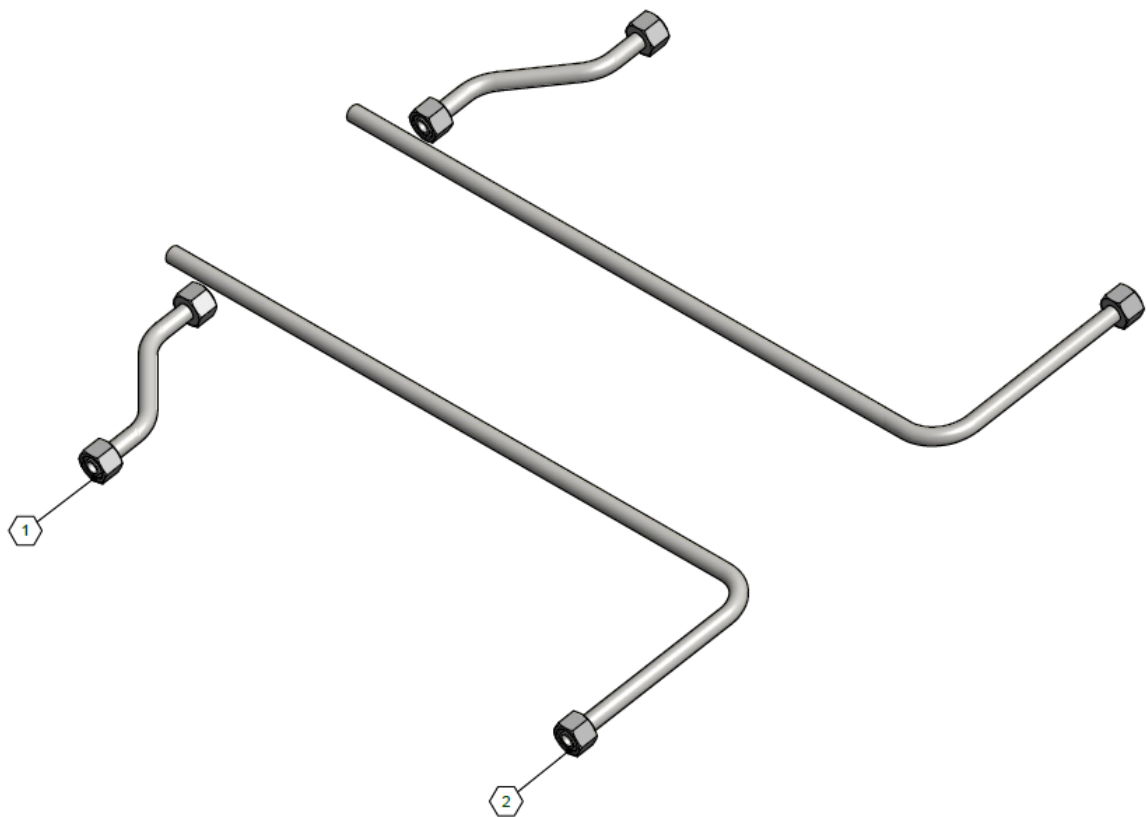
Part	
AE080891	1/1

7	1	CHECK VALVE DOUBLE	1/4" BSP	Steel ZP	31000210
6	2	SWIVEL NUT	12L	Steel ZP	26123500
5	2	CUTTING RING SOFT SEAL	12L	STEEL	26123401
4	2	ADAPTOR HP-T-PIPE-12L-12L-12L		Steel ZP	26122600
3	4	ADAPTOR HP-90-SW	12LOT-12LIT	Steel ZP	26121900
2	4	ADAPTOR HP-00-SW-3/8" BSPOT-12LOT		Steel ZP	26120215
1	4	ADAPTOR HP-00-SW	12LOT-1/4" BSPOT	Steel ZP	26120210
ITEM	QTY	DESCRIPTION	DIMENSIONS	MATERIAL	PART NO.



TUBING KIT 12MM BUMPER - OT30105 / OT30106	Part	
	AE081008	1/1

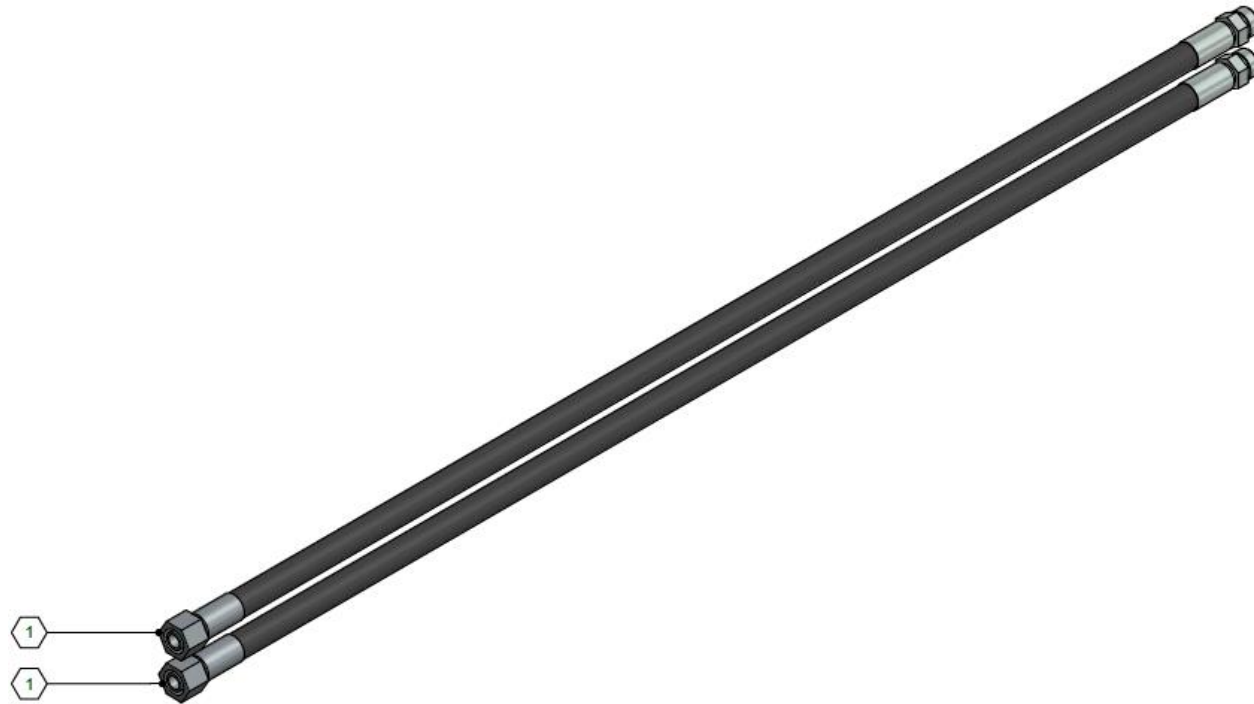
ITEM	QTY	DESCRIPTION	DIMENSIONS	MATERIAL	PART NO.
2	2	PIPE Ø12X1.5 GALVANISED			AE080890
1	2	PIPE Ø12X1.5 GALVANISED			AE080888



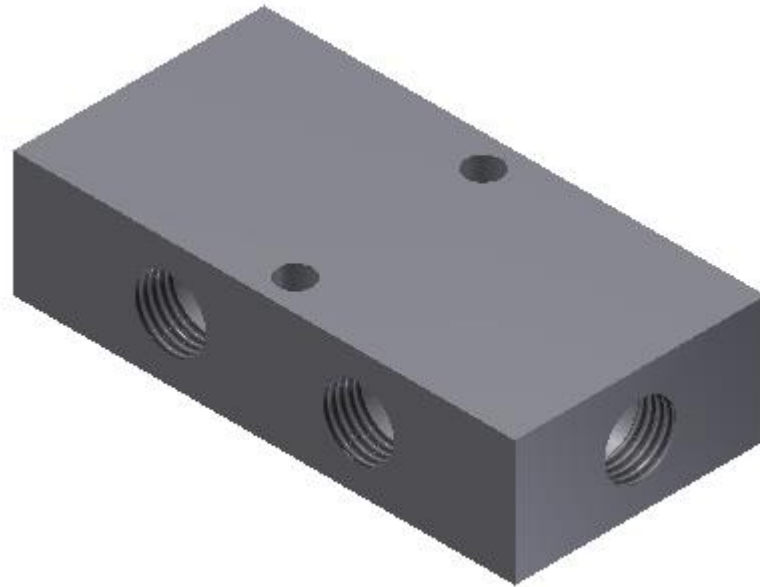


HOSING KIT 12MM BUMPER - OT30105 / OT30106	Part	
	AE081007	1/1

1	2	HP10-900-3/8"-01-02-350BAR			AE080963
ITEM	QTY	DESCRIPTION	DIMENSIONS	MATERIAL	PART NO.

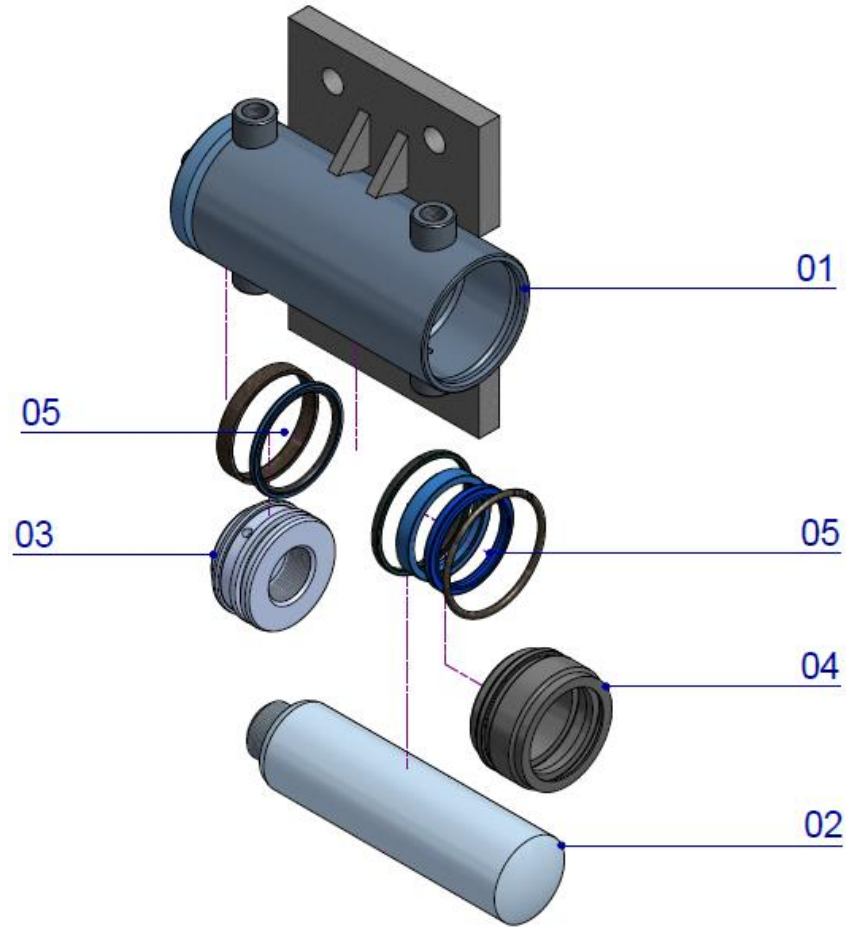


DOUBLE ACTING CHECK VALVE - OT30112	Part	
	NB000461	1/1



STAB – JACK, CYLINDER – OT3	Part	
	09030740	1/1

Pos.	Part number	Q.ty	Description
01	5010461	1	DA BASE
02	5101135	1	DA ROD
03	5101135	2	DA PISTON
04	5101227	1	DA GLAND
05	761080171	1	SEAL KIT



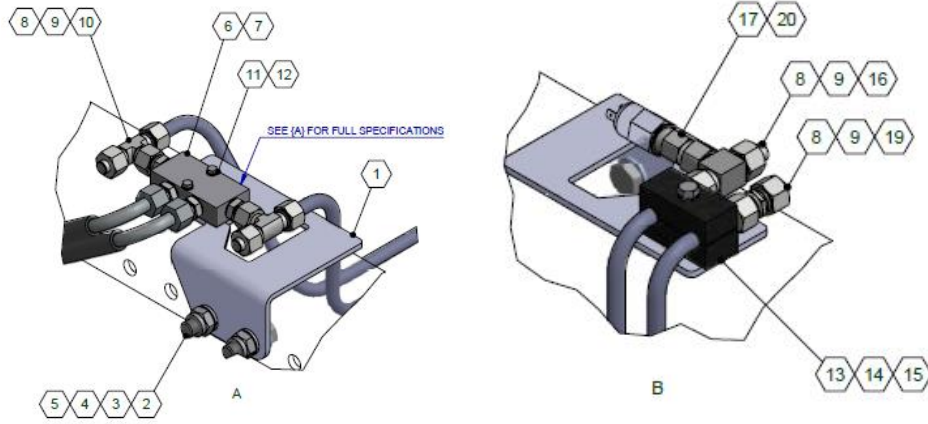
	OT30113	OT30115	OT30118	OT30119	OT30114	OT30123	OT30124
CYLINDER	09030740		09030720			09030760	
BASE	5010461		5010451			5010441	
ROD	5010466		5010456			5010446	
PISTON	5101135		5101115			5101115	
GLAND	5101227		5101227			5101227	
SEAL KIT	761080171		761080171			761080170	



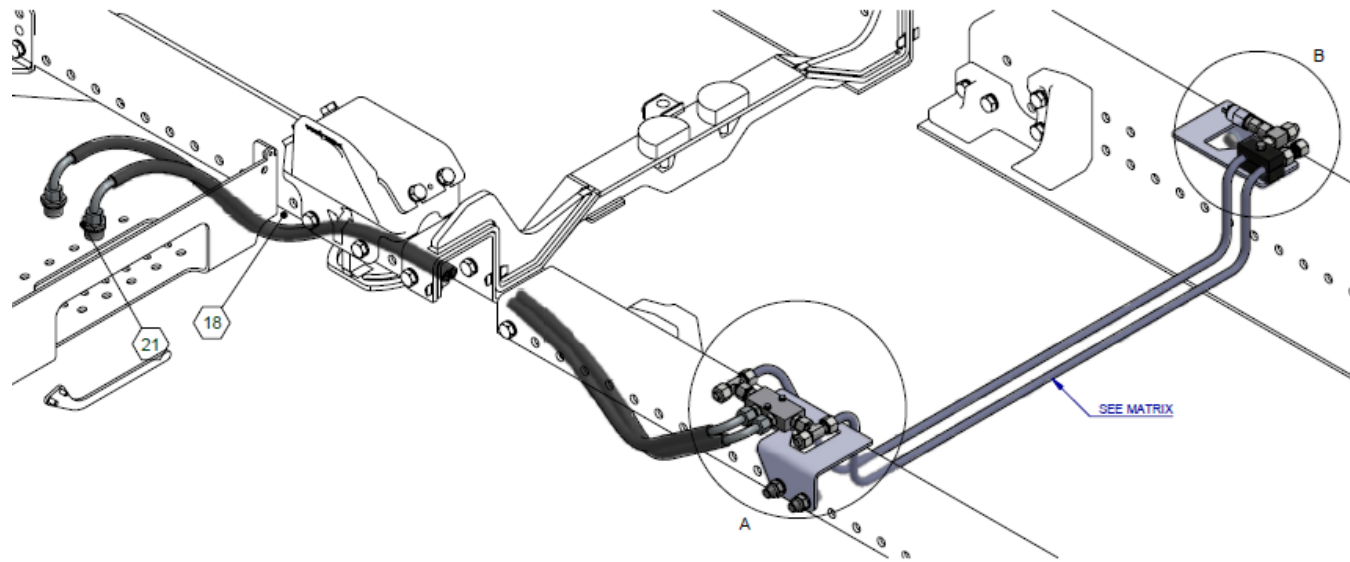
STAB-JACKS COMPLETE – MOUNTING KIT - OT30113/14/15/16/17

Part	
AE070260	1/1

	OT30113	OT30114	OT30115	OT30116	OT30117
MOUNTING KIT SUBFRAME	AE070260				



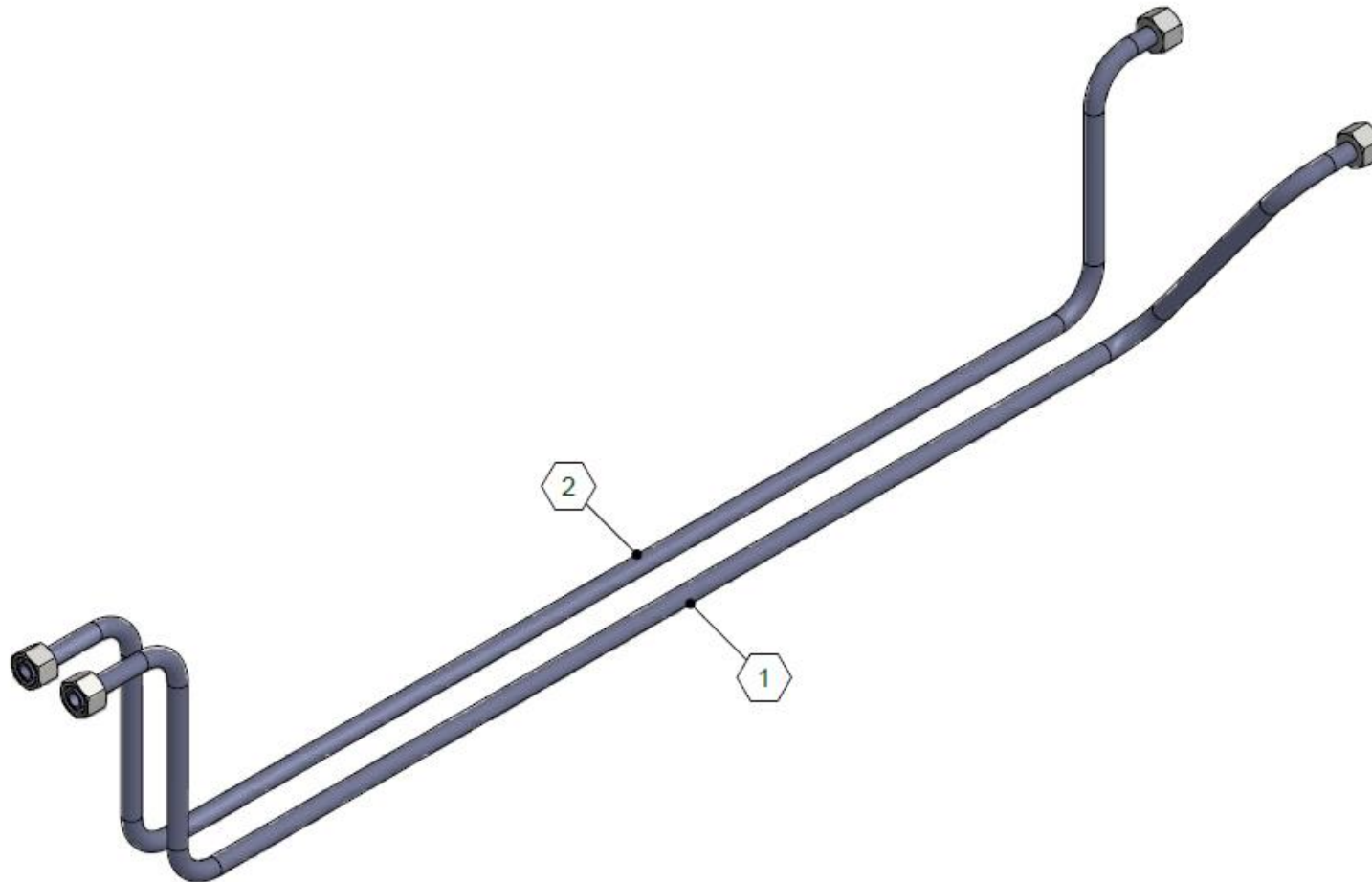
21	2	ADAPTOR	HP-00-12LOT-3/4" BSPOT	STEEL ZP	26120225
20	1	BONDED SEAL	HP 1/4"	STEEL Zp - NBR	36080110
19	1	STRAIGHT ADAPTOR	HP-00-12LOT (2x)	STEEL Zp	26120100
18	1	HOSE KIT SUBFRAME			AE070248
17	1	GAUGE ADAPTOR	12LIT-1/4"BSPIT DIN3865	STEEL Zp	26121500
16	1	TEE ADAPTOR	HP-T-12LOT-12LOT-12LOT	STEEL Zp	26122400
15	1	SPRING WASHER	M8 DIN127	GEOMET 321 A	45110208
14	1	HEX HEAD BOLT	M8x45 DIN931	8.8 GEOMET 321 A	45010824
13	2	PIPE CLAMP	2x12mm		AE080317
12	2	HEX HEAD BOLT	M5x25 DIN933	8.8 GEOMET 321 A	45010516
11	2	PLAIN WASHER	M5 DIN125-1A	8.8 GEOMET 321 A	45110105
10	2	TEE ADAPTOR	HP-T-SW-12LOT (2x)-12LIT	STEEL Zp.	26122500
9	4	SWIVEL NUT	12L	STEEL Zp	26123500
8	4	BLIND PLUG	12L	STEEL Zp	26123600
7	4	STRAIGHT ADAPTOR	HP-00-12LOT-1/4"BSPOT	STEEL Zp	26120210
6	1	DOUBLE CHECK VALVE	5:1 1/4" BSP (4x)	STEEL Zp	31000210
5	4	LOCK NUT	M14 DIN985	8.8 Fe/Zn 7 IV S	45081415
4	4	SPRING WASHER	M14 DIN127	8.8 GEOMET 321 A	45110214
3	4	PLAIN WASHER	M14 DIN125-1A	8.8 GEOMET 321 A	45110114
2	4	HEX HEAD BOLT	M14x40 DIN933	8.8 GEOMET 321 A	45011410
1	2	MOUNTING PLATE			AE070246
POS	QTY	DESCRIPTION	DIMENSIONS	MATERIAL	PART NO. NT



STAB-JACKS COMPLETE-TUBING KIT-OT30113/14/15/16/17	Part	
	AE082717	1/1

	OT30113	OT30114	OT30115	OT30116	OT30117
TUBING KIT SUBFRAME	AE082717				

2	1	CROSS OVER PIPE REAR			AE082714
1	1	CROSS OVER PIPE FRONT			AE082712
POS	QTY	DESCRIPTION	DIMENSIONS	MATERIAL	PART NO. NT



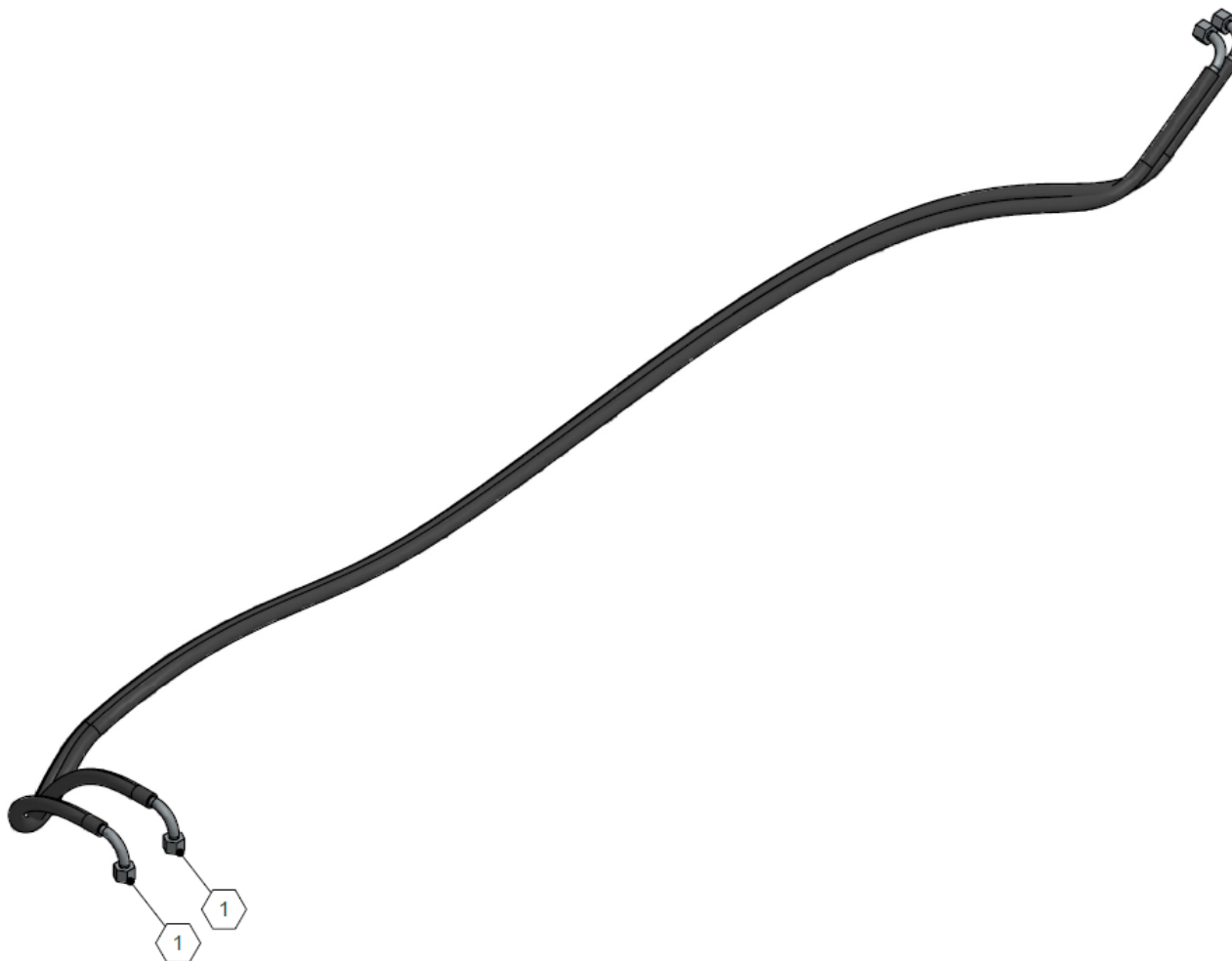


STAB-JACKS COMPLETE-HOSE KIT-OT30113/14/15/16/17/18/24

Part	
AE070248	1/1

	OT30113	OT30114	OT30115	OT30116	OT30117	OT30118	OT30124
HOSE KIT SUBFRAME	AE070248						

1	2	HOSE	HP-10-2450-3/8"-91-91-350BAR		AE070247
POS	QTY	DESCRIPTION	DIMENSIONS	MATERIAL	PART NO. NT



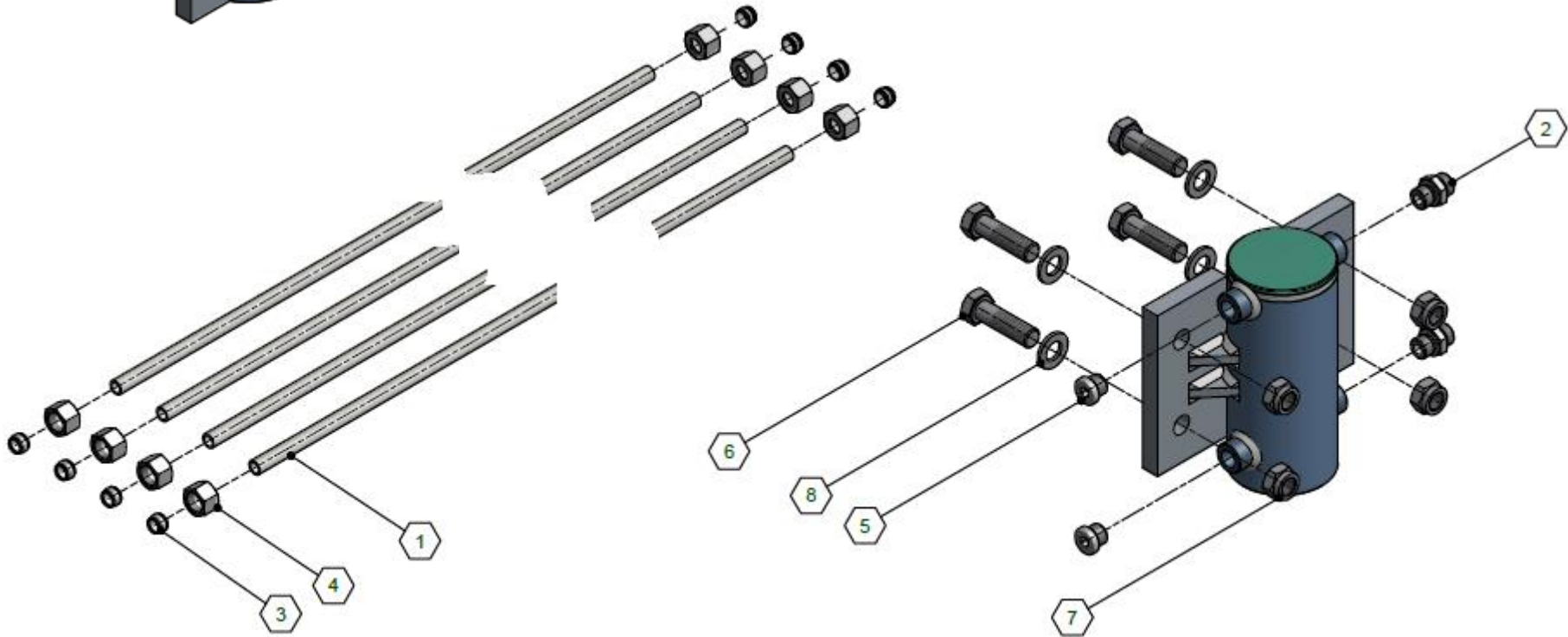
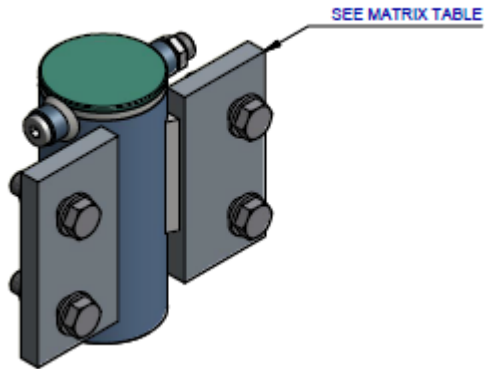


MOUNTING KIT STAB JACK-OT30113/14/15/16/17/18/19/23/24

Part	
AE081013	1/1

20-22 SK	OT30113	OT30114	OT30115	OT30118	OT30119	OT30123	OT30124
MOUNTING KIT 12mm SUBFRAME			AE081013				

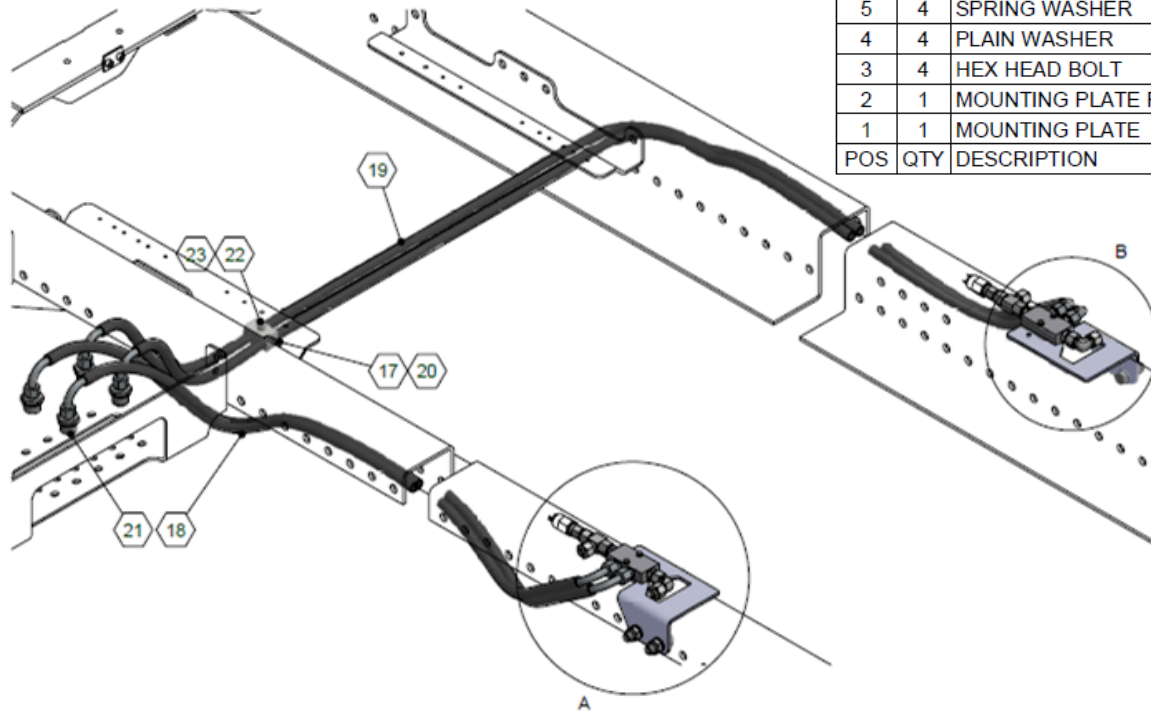
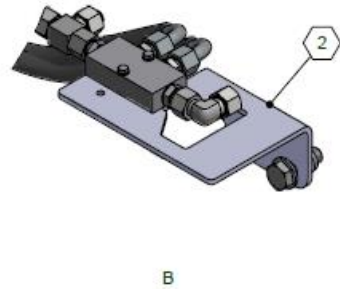
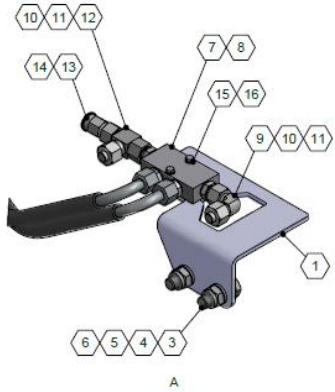
ITEM	QTY	DESCRIPTION	DIMENSIONS	MATERIAL	PART NO.
9	1	ASEMBLY INSTRUCTIONS PROFILE RING	EATON-WALTERSCHEID		AE081015
8	8	WASHER	M16 DIN125A ZP	Steel ZP	45110116
7	8	HEX NUT	LOCKING NUT M16 DIN985 8.8 Zn	Steel ZP	45081615
6	8	HEX-HEAD BOLT	M16X55 DIN933 8.8 Zn	Steel ZP	45011616
5	4	HD STOP 3/8" INTERNAL HEXAGON		Steel ZP	26500115
4	8	SWIVEL NUT	12L	Steel ZP	26123500
3	8	CUTTING RING SOFT SEAL	12L	STEEL	26123401
2	4	ADAPTOR HP-00-SW-3/8" BSPOT-12LOT		Steel ZP	26120215
1	4	PIPE Ø12X1.5 GALVANISED		E235+N	AE081014





MOUNTING KIT SUBFRAME - OT30118/ OT30124

Part	
AE070878	1/1



	OT30118	OT30124
MOUNTING KIT SUBFRAME	AE070878	

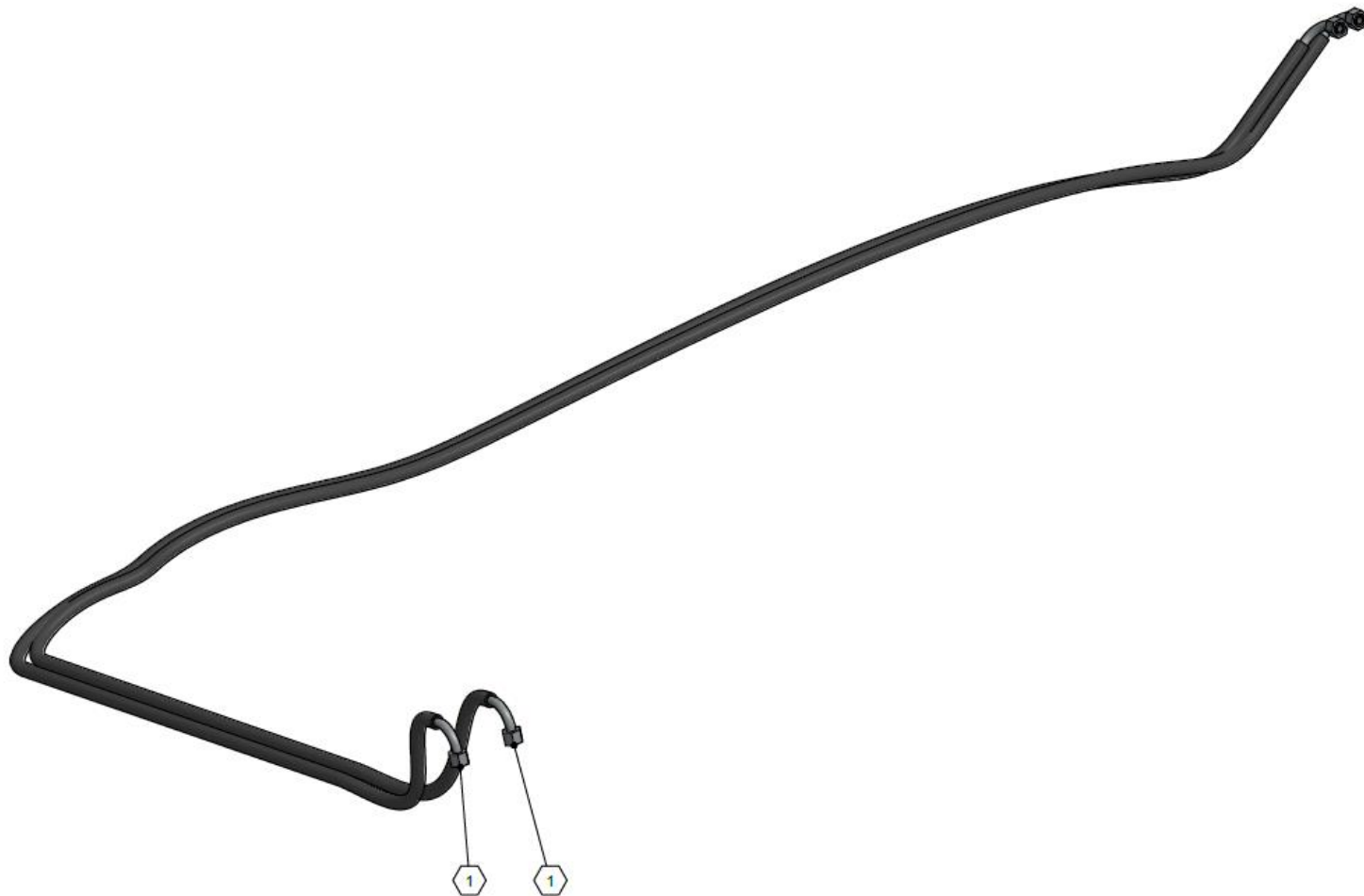
POS	QTY	DESCRIPTION	DIMENSIONS	MATERIAL	PART NO. NT
23	1	SPRING WASHER	M8 DIN127	8.8 GEOMET 321 A	45110208
22	1	HEX HEAD BOLT	M8x45 DIN931	8.8 GEOMET 321 A	45010824
21	4	STRAIGHT ADAPTOR	HP-00-12LOT-3/4" BSPOT	STEEL Zp	26120225
20	1	TOP PLATE	60x30x3 Ø9	EN10025-2 S355J2	37020116
19	1	HOSE KIT SUBFRAME RIGHT			AE070255
18	1	HOSE KIT SUBFRAME			AE070248
17	2	HOSE CLAMP HALF	2xØ18mm	PP SMOOTH	37010418
16	4	HEX HEAD BOLT	M5x25 DIN933	8.8 GEOMET 321 A	45010516
15	4	PLAIN WASHER	M5 DIN125-1A	8.8 GEOMET 321 A	45110105
14	2	BONDED SEAL	HP 1/4"	STEEL Zp - NBR	36080110
13	2	GAUGE ADAPTOR	12LIT-1/4"BSPIT DIN3865	STEEL Zp	26121500
12	2	TEE ADAPTOR	HP-T-SW-12LOT-12LIT-12LOT	STEEL Zp	26122600
11	4	SWIVEL NUT	12L	STEEL Zp	26123500
10	4	BLIND PLUG	12L	STEEL Zp	26123600
9	2	ADAPTOR HP-90-SW	12LOT-12LIT	STEEL ZP	26121900
8	8	STRAIGHT ADAPTOR	HP-00-12LOT-1/4"BSPOT	STEEL Zp	26120210
7	2	DOUBLE CHECK VALVE	5:1 1/4" BSP (4x)	STEEL Zp	31000210
6	4	LOCK NUT	M14 DIN985	8.8 Fe/Zn 7 IV S	45081415
5	4	SPRING WASHER	M14 DIN127	8.8 GEOMET 321 A	45110214
4	4	PLAIN WASHER	M14 DIN125-1A	8.8 GEOMET 321 A	45110114
3	4	HEX HEAD BOLT	M14x40 DIN933	8.8 GEOMET 321 A	45011410
2	1	MOUNTING PLATE RIGHT			AE070946
1	1	MOUNTING PLATE			AE070246
POS	QTY	DESCRIPTION	DIMENSIONS	MATERIAL	PART NO. NT



HOSE KIT - OT30118 / OT30124	Part	
	AE070255	1/1

	OT30118	OT30124
MOUNTING KIT SUBFRAME	AE070255	

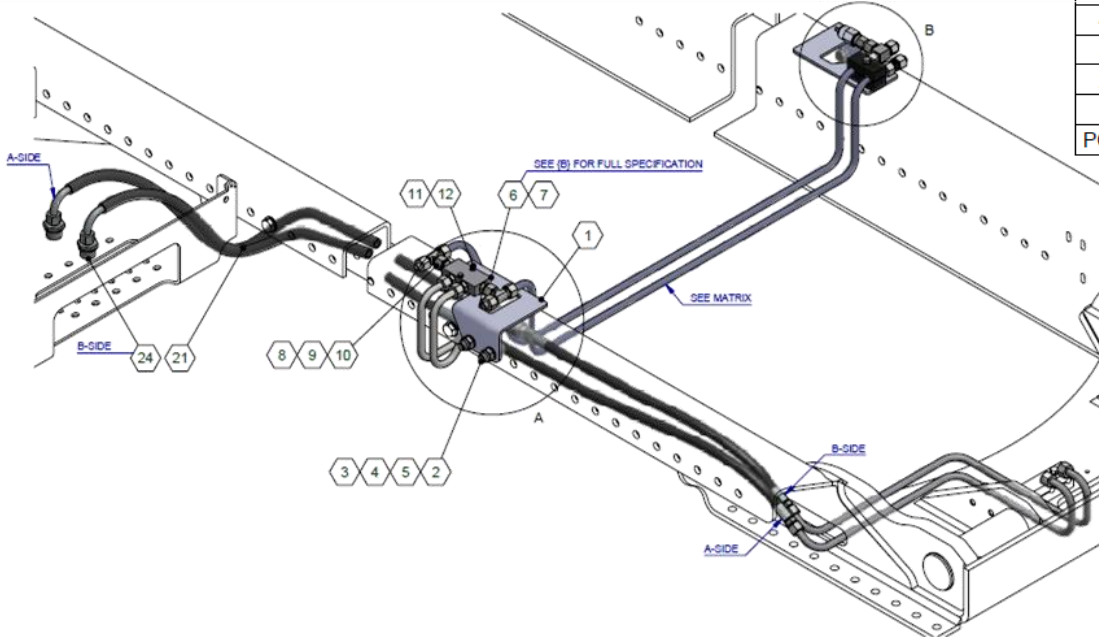
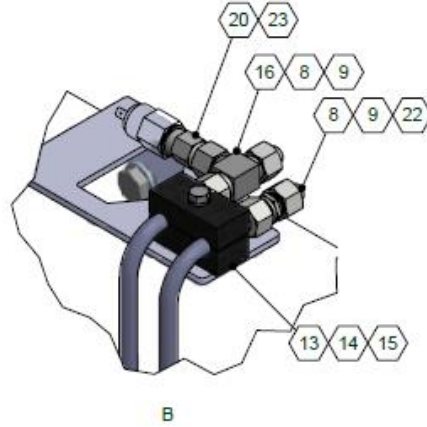
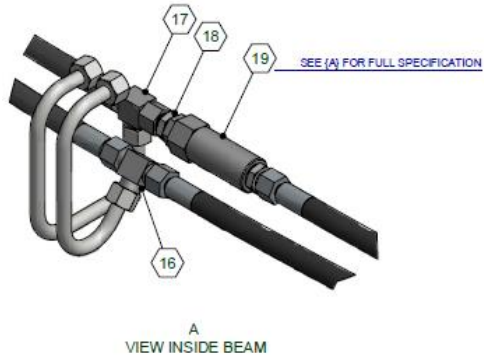
1	2	HP10-3400-3/8"-91-91-350BAR	HP10-3400-3/8"-91-91-350BAR		AE070256
ITEM	QTY	DESCRIPTION	DIMENSIONS	MATERIAL	PART NO.





MOUNTING KIT SUBFRAME - OT30119 / OT30123

Part	
AE082701	1/1



	OT30119	OT30123
MOUNTING KIT SUBFRAME	AE082701	

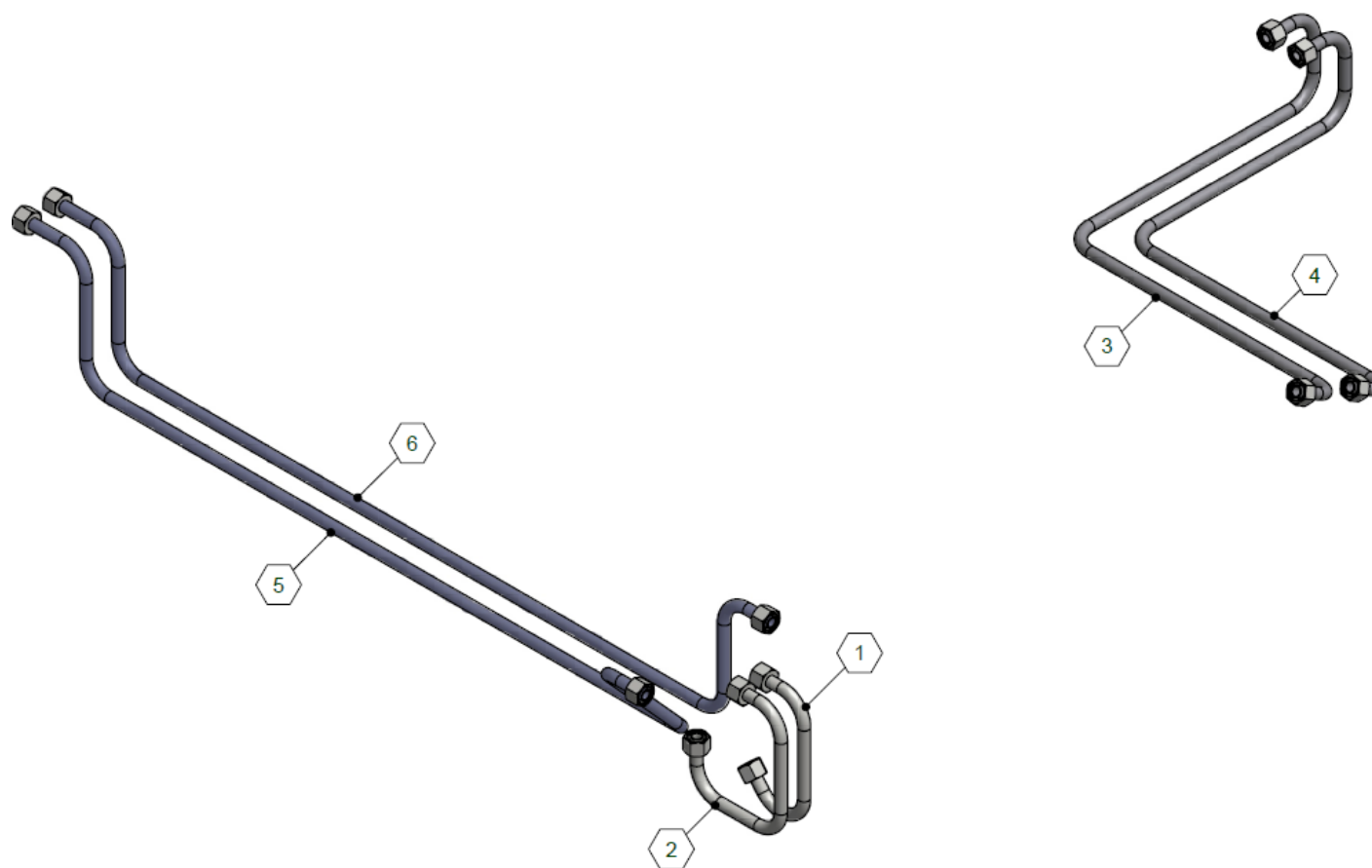
POS	QTY	DESCRIPTION	DIMENSIONS	MATERIAL	PART NO. NT
24	2	STRAIGHT ADAPTOR	HP-00-12LOT-3/4" BSPOT	STEEL Zp	26120225
23	1	BONDED SEAL	HP 1/4"	STEEL Zp - NBR	36080110
22	1	STRAIGHT ADAPTOR	HP-00-12LOT (2x)	STEEL Zp	26120100
21	1	HOSE KIT			AE082716
20	1	GAUGE ADAPTOR	12LIT-1/4"BSPIT DIN3865	STEEL Zp	26121500
19	1	SEQUENCE VALVE	3/8" BSPIT (2x) 15-80 BAR	STEEL Zp	31000500
18	2	STRAIGHT ADAPTOR	HP-00-3/8" BSPOT-12LOT	STEEL Zp	26120215
17	1	TEE ADAPTOR	HP-T-SW-12LOT-12LIT-12LOT	STEEL Zp	26122600
16	2	TEE ADAPTOR	HP-T-12LOT-12LOT-12LOT	STEEL Zp	26122400
15	1	SPRING WASHER	M8 DIN127	8.8 GEOMET 321 A	45110208
14	1	HEX HEAD BOLT	M8x45 DIN931	8.8 GEOMET 321 A	45010824
13	2	PIPE CLAMP			AE080317
12	2	HEX HEAD BOLT	M5x25 DIN933	8.8 GEOMET 321 A	45010516
11	2	PLAIN WASHER	M5 DIN125-1A	8.8 GEOMET 321 A	45110105
10	2	TEE ADAPTOR	HP-T-SW-12LOT (2x)-12LIT	STEEL Zp	26122500
9	4	SWIVEL NUT	12L	STEEL Zp	26123500
8	4	BLIND PLUG	12L	STEEL Zp	26123600
7	4	STRAIGHT ADAPTOR	HP-00-12LOT-1/4"BSPOT	STEEL Zp	26120210
6	1	DOUBLE CHECK VALVE	5:1 1/4" BSP (4x)	STEEL Zp	31000210
5	4	LOCK NUT	M14 DIN985	8.8 Fe/Zn 7 IV S	45081415
4	4	SPRING WASHER	M14 DIN127	8.8 GEOMET 321 A	45110214
3	4	PLAIN WASHER	M14 DIN125-1A	8.8 GEOMET 321 A	45110114
2	4	HEX HEAD BOLT	M14x40 DIN933	8.8 GEOMET 321 A	45011410
1	2	MOUNTING PLATE			AE070246


TUBING KIT 12mm IN SUBFRAME - OT30119 / OT30123

 Part
AE082715

1/1

6	1	CROSS OVER PIPE REAR			AE070252
5	1	CROSS OVER PIPE FRONT			AE070250
4	1	GALVANISED PIPE			AE080212
3	1	GALVANISED PIPE			AE080210
2	1	GALVANISED PIPE			AE082703
1	1	GALVANISED PIPE			AE082705
POS	QTY	DESCRIPTION	DIMENSIONS	MATERIAL	PART NO. NT

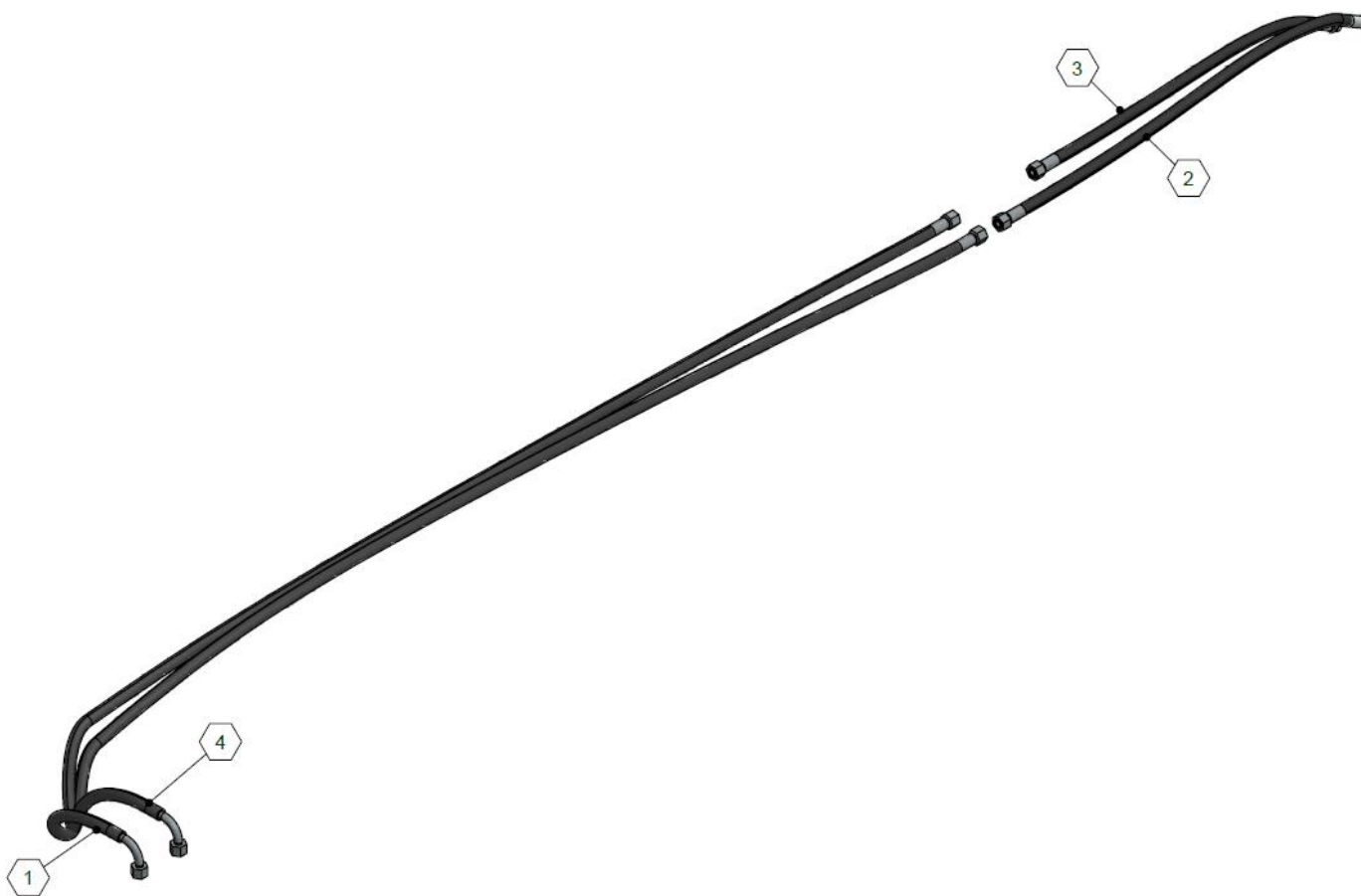




HOSE KIT - OT30119 / OT30123

Part	
AE082716	1/1

4	1	HOSE	HP-10-2376.5-3/8"-91-01-350BAR		AE082709
3	1	HOSE	HP-10-660-3/8"-01-02-350BAR		AE082707
2	1	HOSE	HP-10-773-3/8"-01-02-350BAR		AE082708
1	1	HOSE	HP-10-2424.5-3/8"-91-01-350BAR		AE082710
POS	QTY	DESCRIPTION	DIMENSIONS	MATERIAL	PART NO. NT

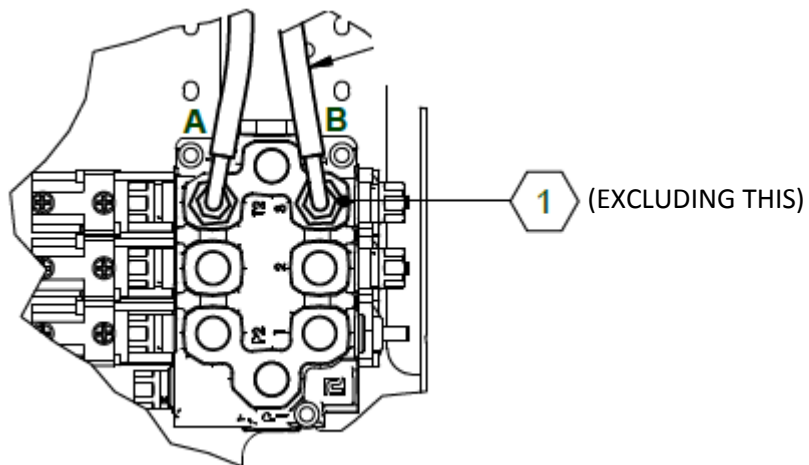




STAB JACK'S EXCLUDE KIT - OT30119-OT30123

Part	
AE080594	1/1

ITEM	QTY	DESCRIPTION	DIMENSIONS	MATERIAL	PART NO.
1	2	ADAPTOR HP-00-SW	12LOT-3/4" BSPOT	Steel ZP	26120225

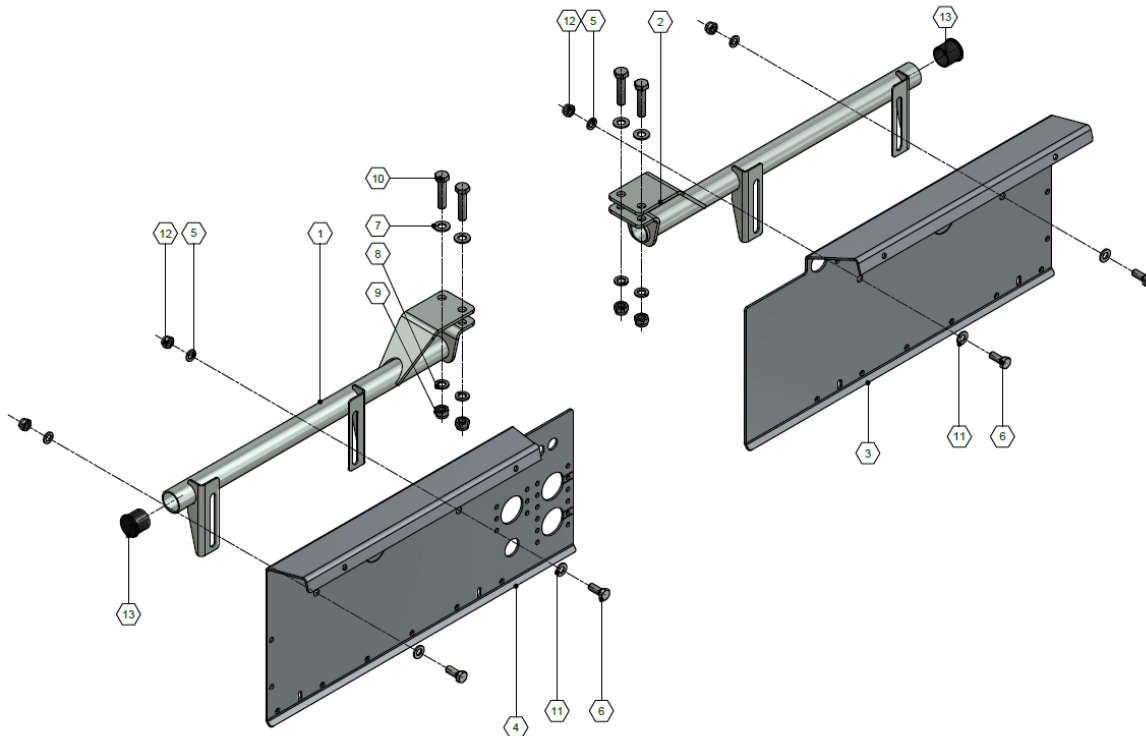


REAR LIGHTS MOUNTING BRACKETS - OT50101

 Part
 AE080650

1/1

ITEM	QTY	DESCRIPTION	DIMENSIONS	MATERIAL	PART NO.
13	2	PIPE CLOSING	Ø40mm	PLASTIC	26870055
12	4	HEX NUT	M12 DIN985 8.8		45081215
11	4	WASHER	DIN-125-A-13		45110112
10	4	HEX-HEAD BOLT	M14x60 DIN-931		45011418
9	4	NUT SELFLOCK	M14 DIN985 8.8 Zp		45081415
8	4	SPRING WASHER	M14 DIN 127 Zp		45110214
7	4	WASHER	DIN-125-A-15		45110114
6	4	HEX-HEAD BOLT	M12 x 30 DIN-933		45011210
5	4	SPRING WASHER	M12 DIN 127 Zp		45110212
4	1	LIGHT HOLDER LEFT		S235JR (ST.37-2)	AE080613
3	1	LIGHT HOLDER RIGHT		S235JR (ST.37-2)	AE080614
2	1	LIGHT HOLDER SUPPORT RIGHT			AE080606
1	1	LIGHT HOLDER SUPPORT LEFT			AE080605
ITEM	QTY	DESCRIPTION	DIMENSIONS	MATERIAL	PART NO.

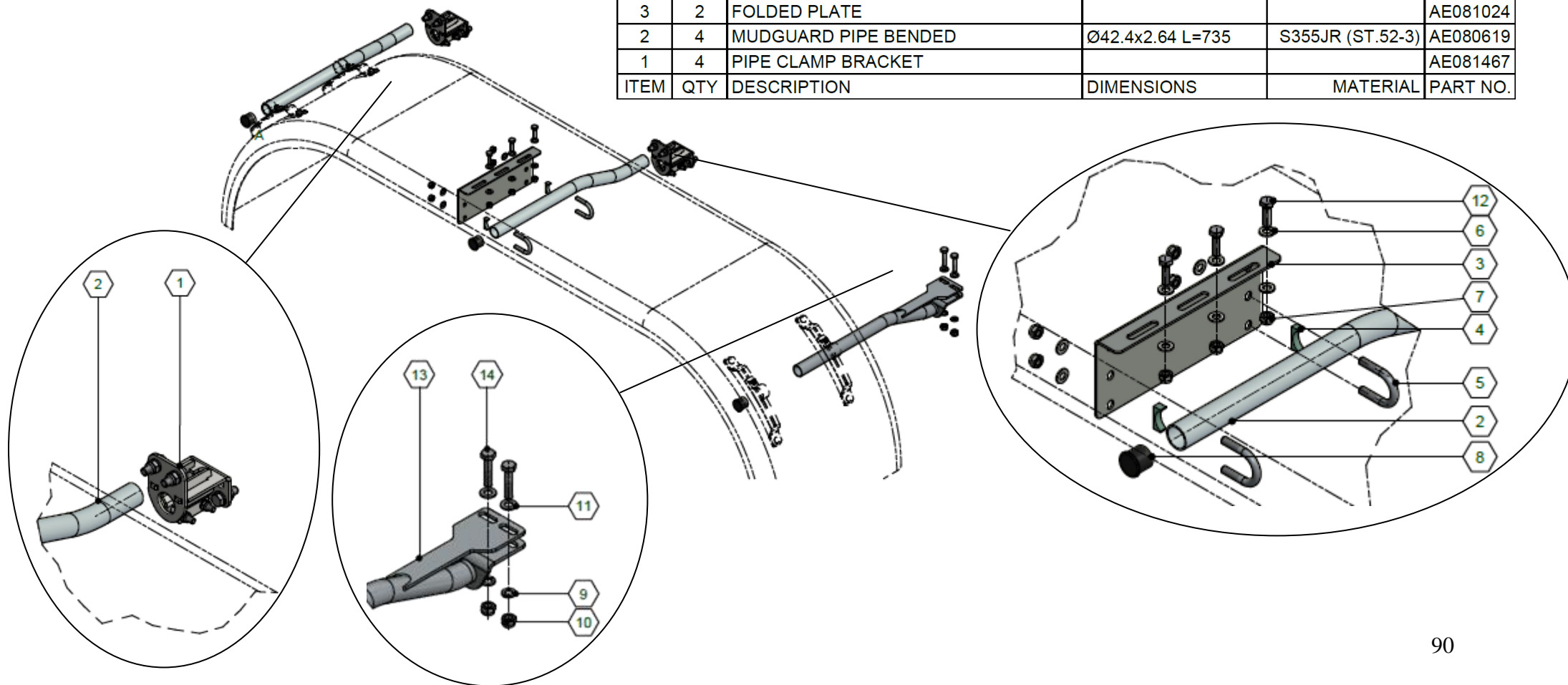


MOUNTING BRACKETS, FOR ALUMINIUM MUDGUARDS - OT50102

Part
AE081019

1/1

14	4	HEX-HEAD BOLT	M14x60 DIN-931		45011418
13	2	COMPONENT MOUNT REAR			AE080615
12	6	HEX-HEAD BOLT	M12 x 40 DIN-933		45011214
11	4	WASHER	DIN-125-A-15		45110114
10	4	NUT SELFLOCK	M14 DIN985 8.8 Zp		45081415
9	4	SPRING WASHER	M14 DIN 127 Zp		45110214
8	6	PIPE CLOSING	Ø40mm	PLASTIC	26870055
7	14	HEX NUT	M12 DIN985 8.8		45081215
6	20	WASHER	DIN-125-A-13		45110112
5	4	CLAMP		S355JR (ST.52-3)	AE080624
4	4	PLATE	12mm	S355JR (ST.52-3)	AE081025
3	2	FOLDED PLATE			AE081024
2	4	MUDGUARD PIPE BENDED	Ø42.4x2.64 L=735	S355JR (ST.52-3)	AE080619
1	4	PIPE CLAMP BRACKET			AE081467
ITEM	QTY	DESCRIPTION	DIMENSIONS	MATERIAL	PART NO.

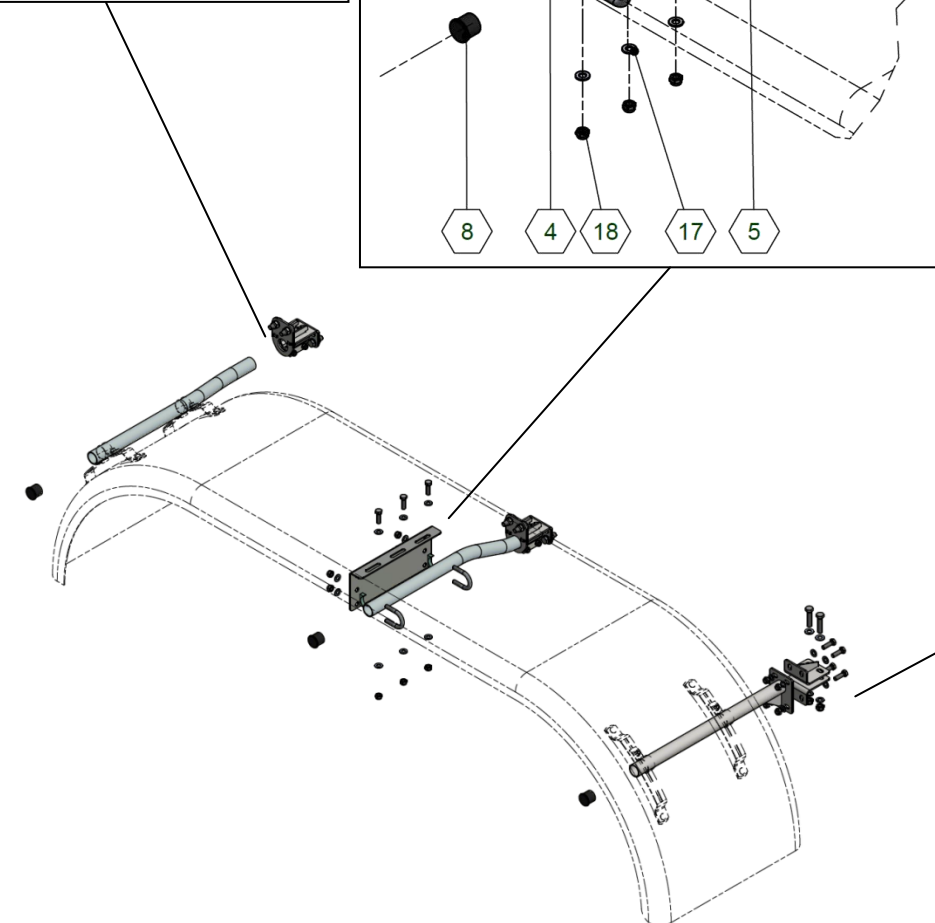
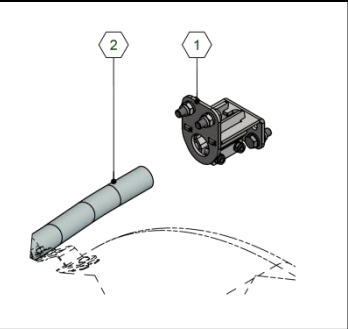
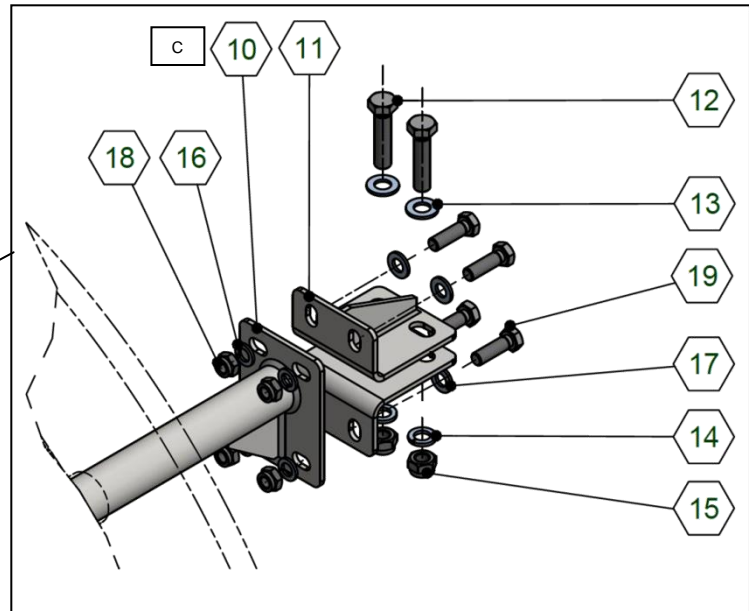
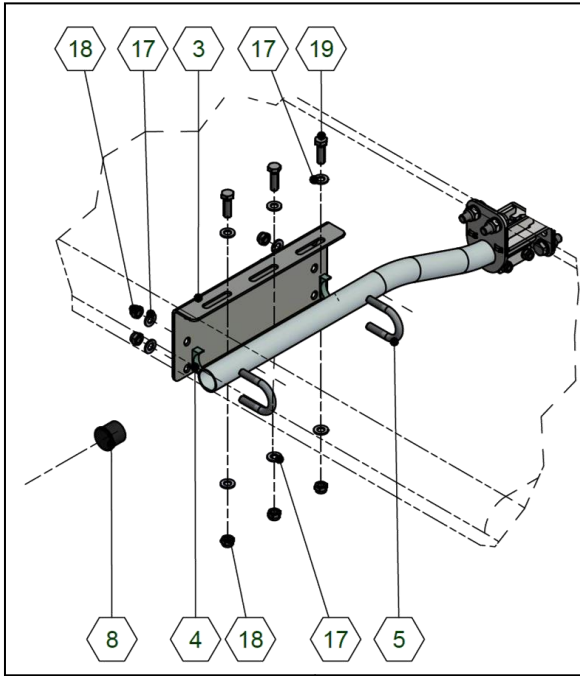




MOUNTING BRACKETS, FOR ALUMINIUM MUDGUARDS - OT50102

Part	
AE081019	1/1

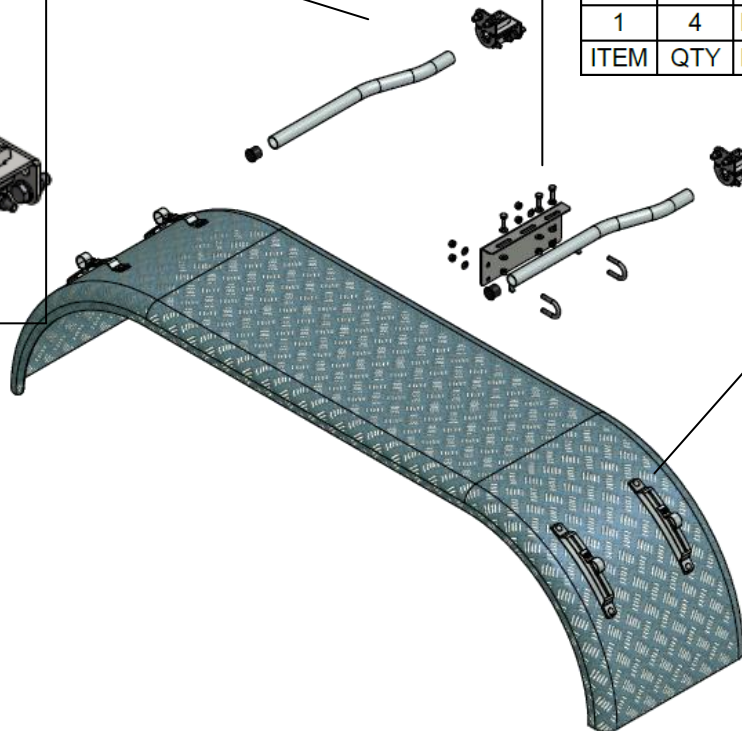
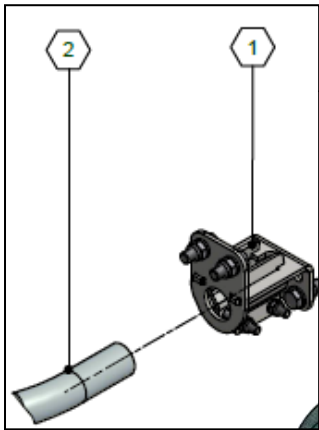
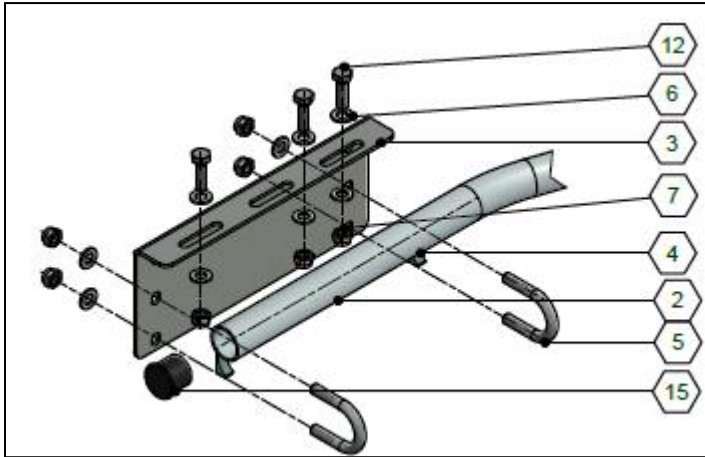
POS	QTY	DESCRIPTION	DIMENSIONS	MATERIAL	PART NO. NT
19	14	HEX. HEAD BOLT	M12x40 DIN933	8.8 GEOMET321 A	45011214
18	22	HEX. LOCKING NUT	M12 DIN985	8 Fe/Zn 7 IV S	45081215
17	28	PLAIN WASHER	M12 DIN125-1A	GEOMET321 A	45110112
16	8	SPRING WASHER	M12 DIN127	GEOMET 321 A	45110212
15	4	HEX. LOCKING NUT	M14 DIN985	8 Fe/Zn 7 IV S	45081415
14	4	SPRING WASHER	M14 DIN127	GEOMET 321 A	45110214
13	4	PLAIN WASHER	M14 DIN125-1A	GEOMET321 A	45110114
12	4	HEX. HEAD BOLT	M14x60 DIN933	8.8 GEOMET321 A	45011418
11	4	FENDER BRACKET SUPPORT			AE083420
10	2	FENDER BRACKET			AE083421
8	6	PIPE CLOSING	Ø40mm	PLASTIC	26870055
5	4	CLAMP			AE080624
4	4	CLAMP PLATE			AE081025
3	2	FOLDED PLATE			AE081024
2	4	MUDGUARD PIPE BENDED	Ø42.4x2.64 L=735	S355JR (ST.52-3)	AE080619
1	4	PIPE CLAMP BRACKET			AE081467



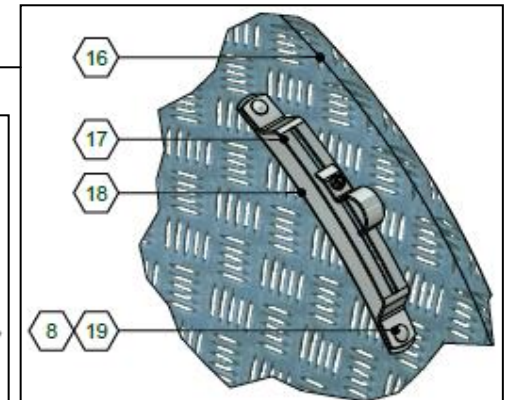
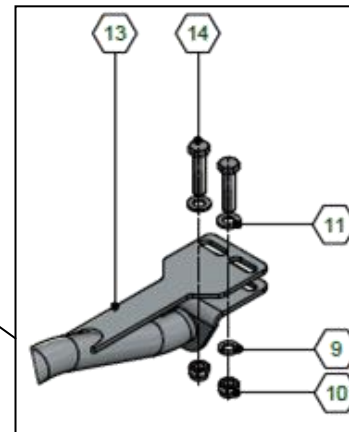


ALU. MUDGUARDS TANDEM AXLE - OT50103

Part	
AE081036	1/1



19	16	CARRIAGE BOLT	M8x20 DIN 603		15015010
18	8	Mudguard Support Plate			26870070
17	8	Slide Mounting Mudguard			26870061
16	2	Alu Mudguard			07170138
15	6	PIPE CLOSING	Ø40mm	PLASTIC	26870055
14	4	HEX-HEAD BOLT	M14x60 DIN-931		45011418
13	2	COMPONENT MOUNT REAR			AE080615
12	6	HEX-HEAD BOLT	M12 x 40 DIN-933		45011214
11	4	WASHER	DIN-125-A-15		45110114
10	4	NUT SELFLOCK	M14 DIN985 8.8 Zp		45081415
9	4	SPRING WASHER	M14 DIN 127 Zp		45110214
8	16	NUT COLLAR	M8x1.25-8-DIN6923		15029010
7	14	HEX NUT	M12 DIN985 8.8		45081215
6	20	WASHER	DIN-125-A-13		45110112
5	4	CLAMP		S355JR (ST.52-3)	AE080624
4	4	PLATE	12mm	S355JR (ST.52-3)	AE081025
3	2	FOLDED PLATE			AE081024
2	4	MUDGUARD PIPE BENDED	Ø42.4x2.64 L=735	S355JR (ST.52-3)	AE080619
1	4	PIPE CLAMP BRACKET			AE081467
ITEM	QTY	DESCRIPTION	DIMENSIONS	MATERIAL	PART NO.

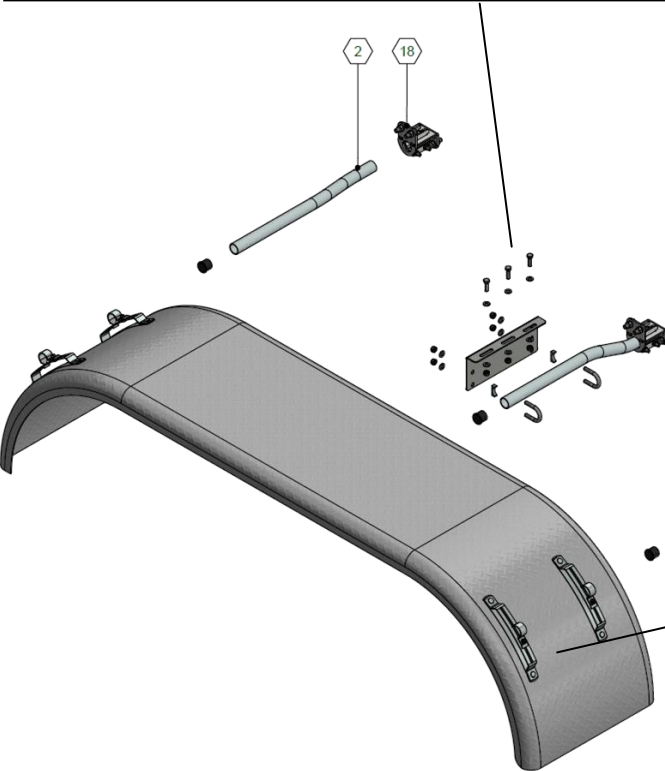
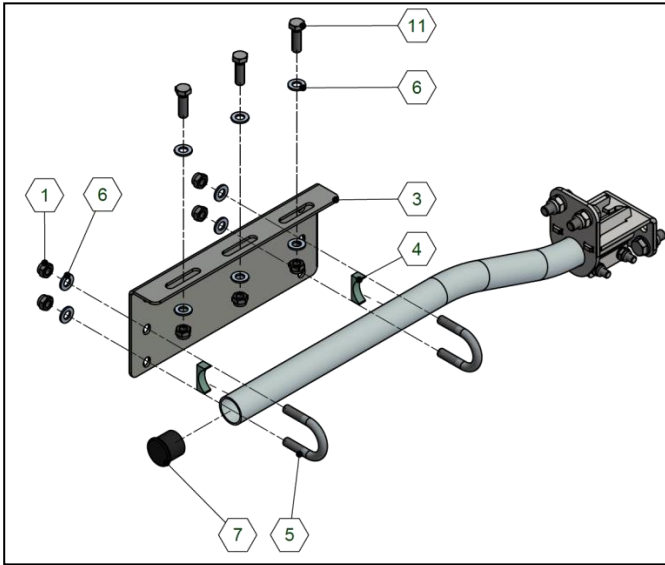




ALU. MUDGUARDS TANDEM AXLE - OT50103

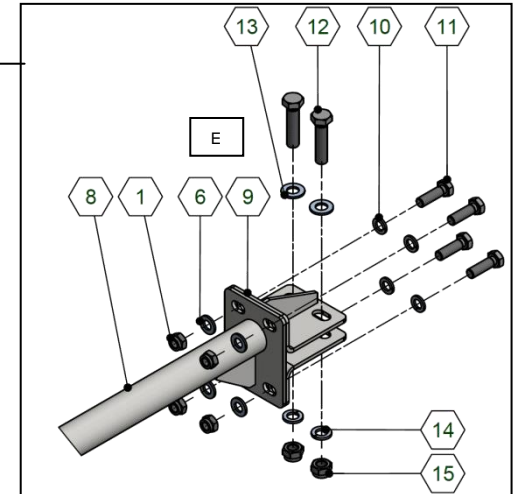
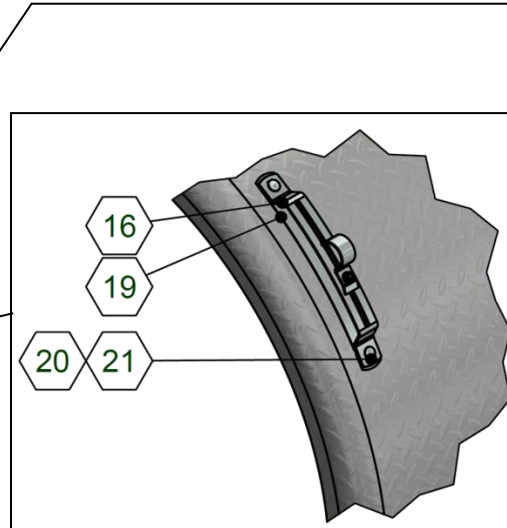
Part
AE081036

1/1



E

21	16	CARRIAGE BOLT	M8x20 DIN603		15015010
20	16	NUT COLLAR	M8x1.25-8-DIN6923		15029010
19	8	MUDGUARD SUPPORT PLATE	R670		26870070
18	4	PIPE CLAMP BRACKET			AE081467
17	2	ALU MUDGUARD			07170138
16	8	SLIDE MOUNTING MUDGUARD			26870061
15	4	HEX. LOCKING NUT	M14 DIN985	8 Fe/Zn 7 IV S	45081415
14	4	SPRING WASHER	M14 DIN127	GEOMET 321 A	45110214
13	4	PLAIN WASHER	M14 DIN125-1A	GEOMET321 A	45110114
12	4	HEX. HEAD BOLT	M14x60 DIN933	8.8 GEOMET321 A	45011418
11	14	HEX. HEAD BOLT	M12x40 DIN933	8.8 GEOMET321 A	45011214
10	8	SPRING WASHER	M12 DIN127	GEOMET 321 A	45110212
9	4	FENDER BRACKET SUPPORT			AE083420
8	2	FENDER BRACKET			AE083421
7	6	PIPE CLOSING	Ø40mm	PLASTIC	26870055
6	28	PLAIN WASHER	M12 DIN125-1A	GEOMET321 A	45110112
5	4	CLAMP			AE080624
4	4	CLAMP PLATE			AE081025
3	2	FOLDED PLATE			AE081024
2	4	MUDGUARD PIPE BENDED	Ø42.4x2.64 L=735	S355JR (ST.52-3)	AE080619
1	22	HEX. LOCKING NUT	M12 DIN985	8 Fe/Zn 7 IV S	45081215
POS	QTY	DESCRIPTION	DIMENSIONS	MATERIAL	PART NO. NT

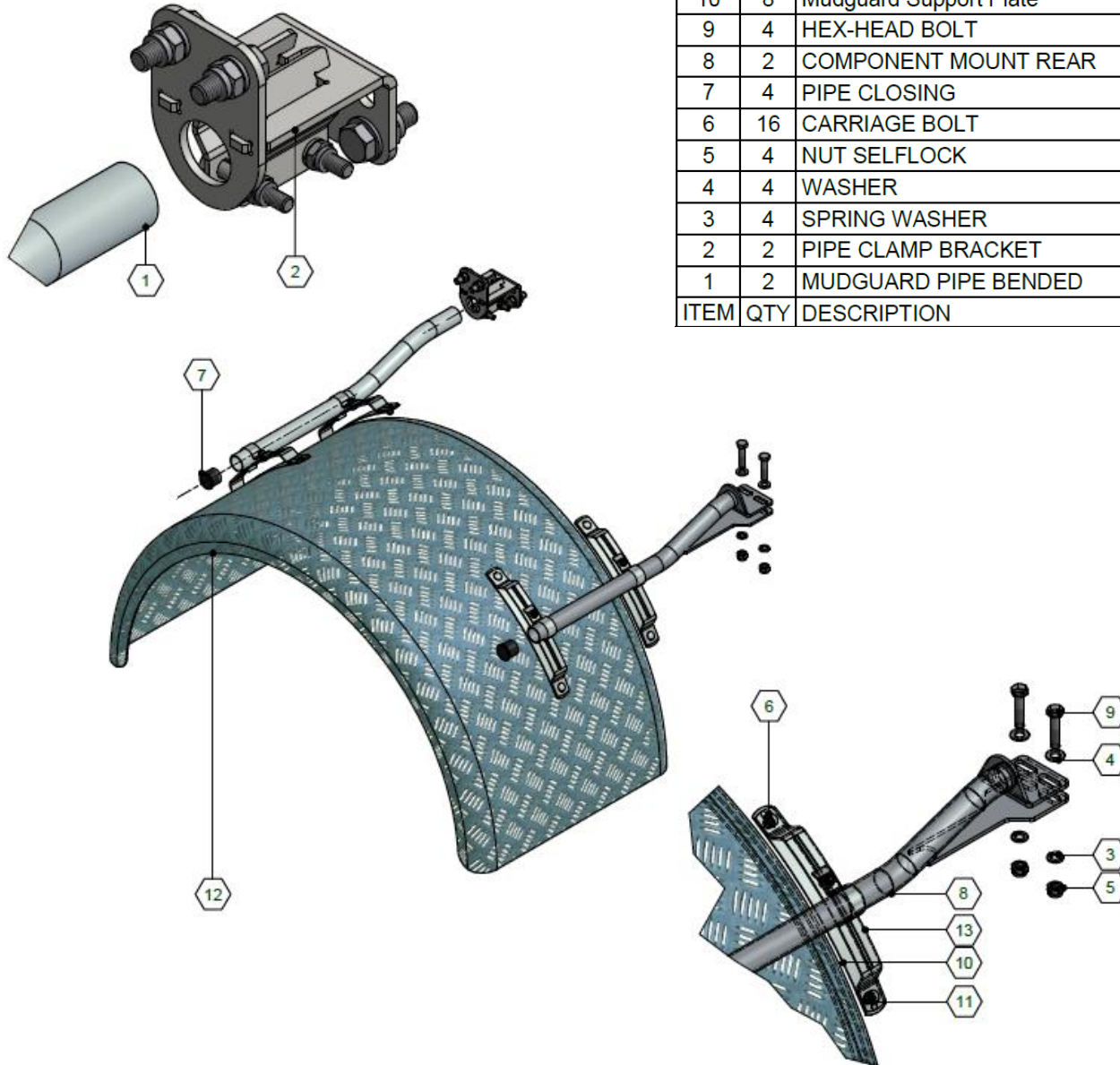


ALU. MUDGUARDS SINGLE/ LAST AXLE- OT50104

Part
AE081216

1/1

ITEM	QTY	DESCRIPTION	DIMENSIONS	MATERIAL	PART NO.
13	8	Slide Mounting Mudguard			26870061
12	2	ALU MUDGUARD SINGLE AXLE		Alu	07170134
11	16	NUT COLLAR	M8x1.25-8-DIN6923		15029010
10	8	Mudguard Support Plate			26870070
9	4	HEX-HEAD BOLT	M14x60 DIN-931		45011418
8	2	COMPONENT MOUNT REAR			AE080615
7	4	PIPE CLOSING	Ø40mm	PLASTIC	26870055
6	16	CARRIAGE BOLT	M8x20 DIN 603		15015010
5	4	NUT SELFLOCK	M14 DIN985 8.8 Zp		45081415
4	4	WASHER	DIN-125-A-15		45110114
3	4	SPRING WASHER	M14 DIN 127 Zp		45110214
2	2	PIPE CLAMP BRACKET			AE081467
1	2	MUDGUARD PIPE BENDED	Ø42.4x2.64 L=735	S355JR (ST.52-3)	AE080619

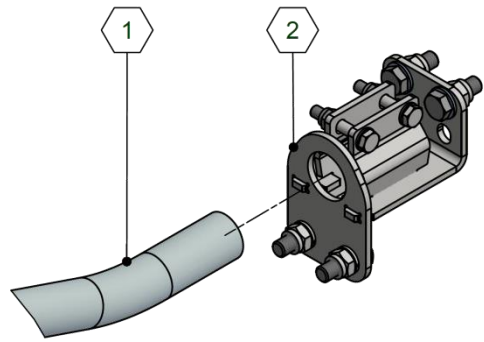
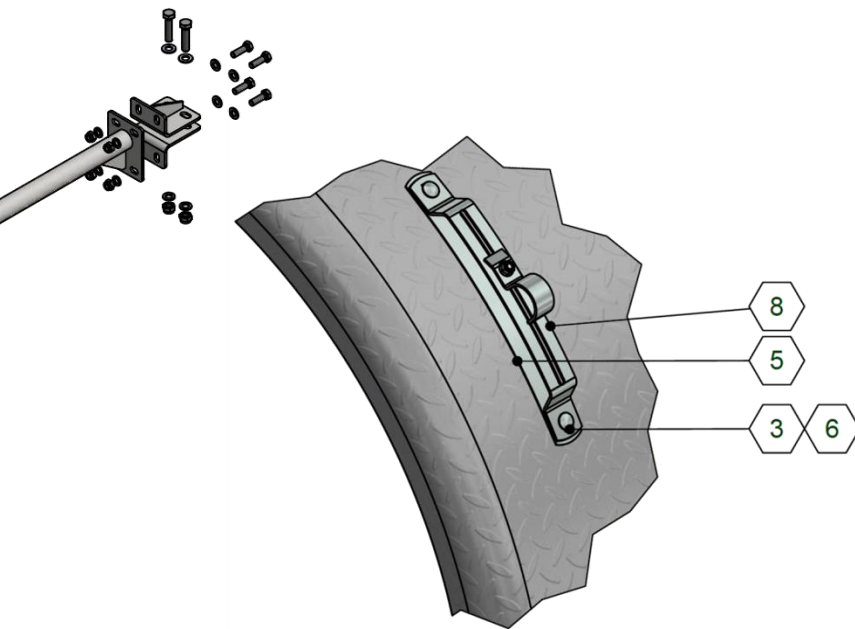
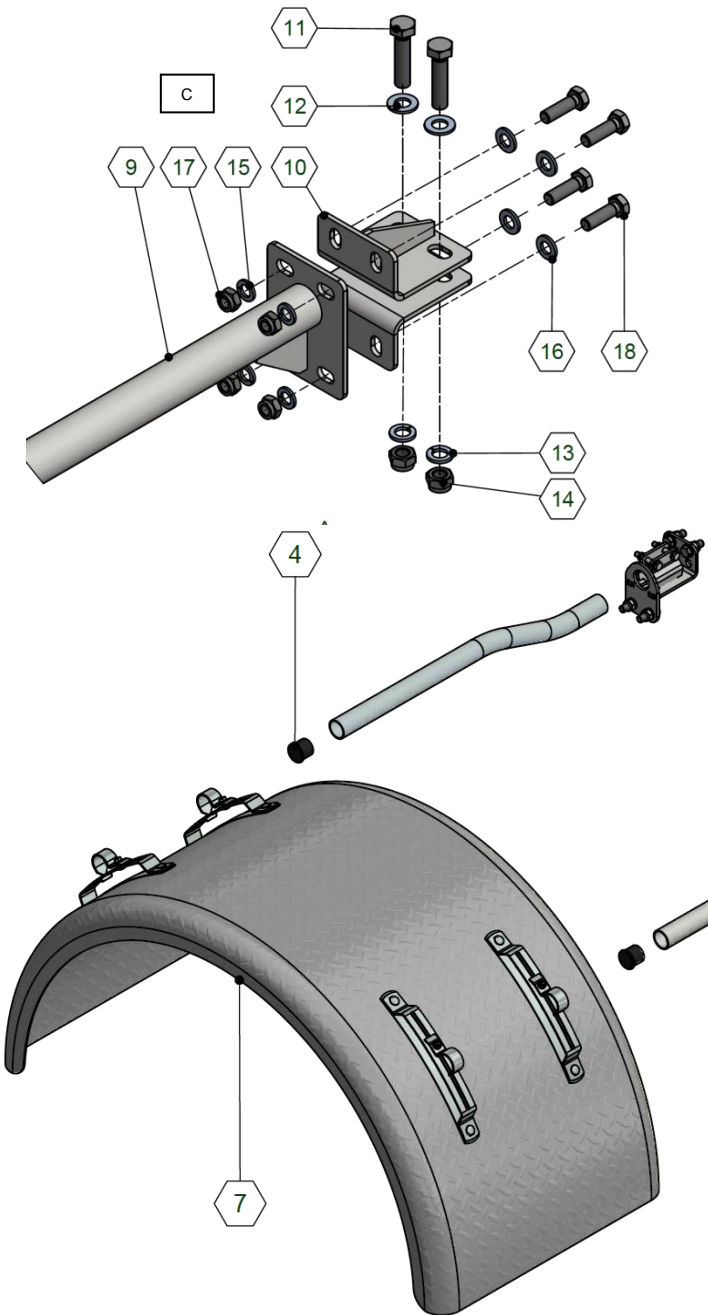




ALU. MUDGUARDS SINGLE/ LAST AXLE- OT50104

Part
AE081216 1/1

18	8	HEX. HEAD BOLT	M12x40 DIN933	8.8 GEOMET321 A	45011214
17	8	HEX. LOCKING NUT	M12 DIN985	8 Fe/Zn 7 IV S	45081215
16	8	PLAIN WASHER	M12 DIN125-1A	GEOMET321 A	45110112
15	8	SPRING WASHER	M12 DIN127	GEOMET 321 A	45110212
14	4	HEX. LOCKING NUT	M14 DIN985	8 Fe/Zn 7 IV S	45081415
13	4	SPRING WASHER	M14 DIN127	GEOMET 321 A	45110214
12	4	PLAIN WASHER	M14 DIN125-1A	GEOMET321 A	45110114
11	4	HEX. HEAD BOLT	M14x60 DIN933	8.8 GEOMET321 A	45011418
10	4	FENDER BRACKET SUPPORT			AE083420
9	2	FENDER BRACKET			AE083421
8	8	SLIDE MOUNTING MUDGUARD			26870061
7	2	MUDGUARD SINGLE AXLE	L1280	Alu	07170134
6	16	NUT COLLAR	M8x1.25-8-DIN6923		15029010
5	8	MUDGUARD SUPPORT PLATE	R670		26870070
4	4	PIPE CLOSING	Ø40mm	PLASTIC	26870055
3	16	CARRIAGE BOLT	M8x20 DIN603		15015010
2	2	PIPE CLAMP BRACKET			AE081467
1	2	MUDGUARD PIPE BENDED	Ø42.4x2.64 L=735	S355JR (ST.52-3)	AE080619
POS	QTY	DESCRIPTION	DIMENSIONS	MATERIAL	PART NO. NT

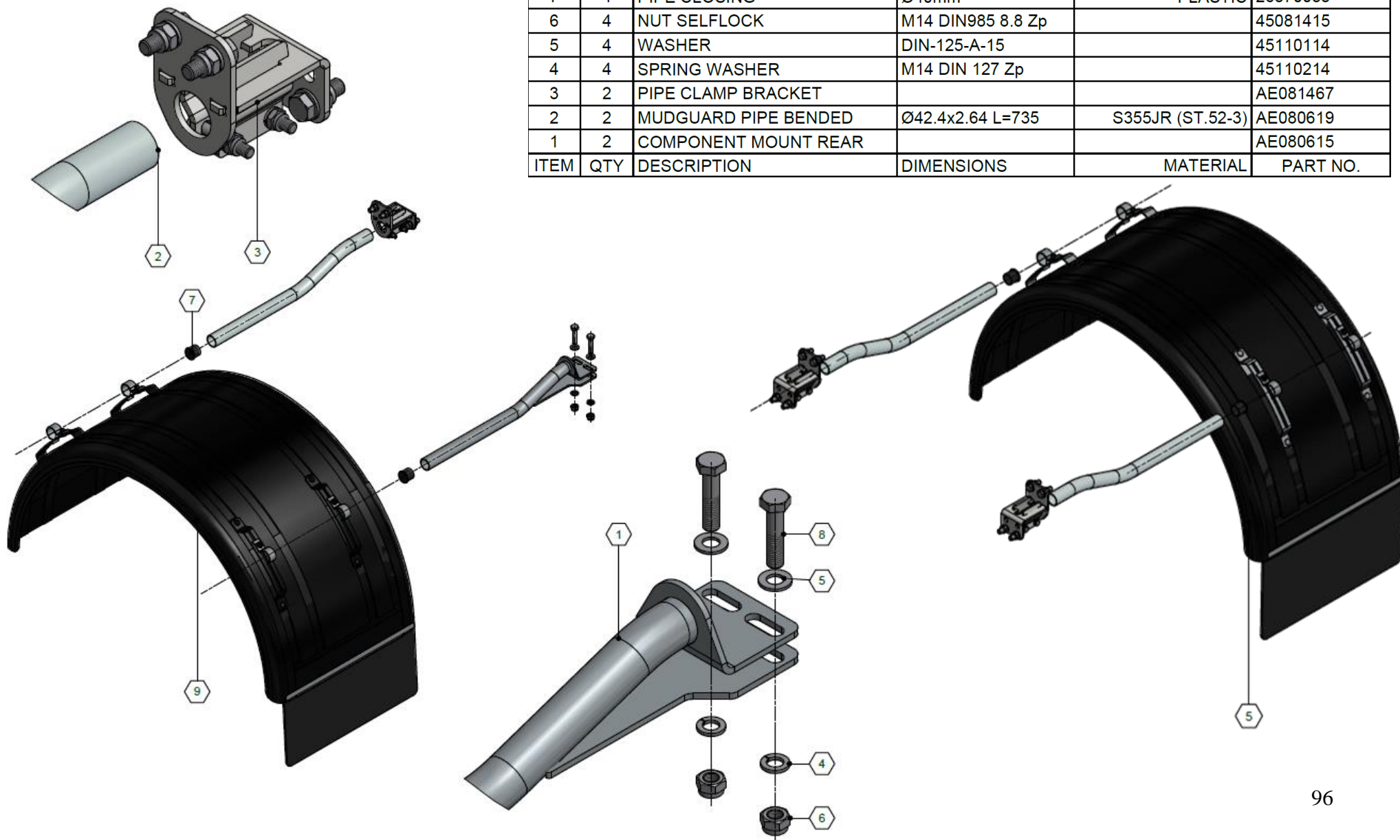


PLASTIC MUDGUARDS, LAST AXLE - OT50105

 Part
AE080651

1/1

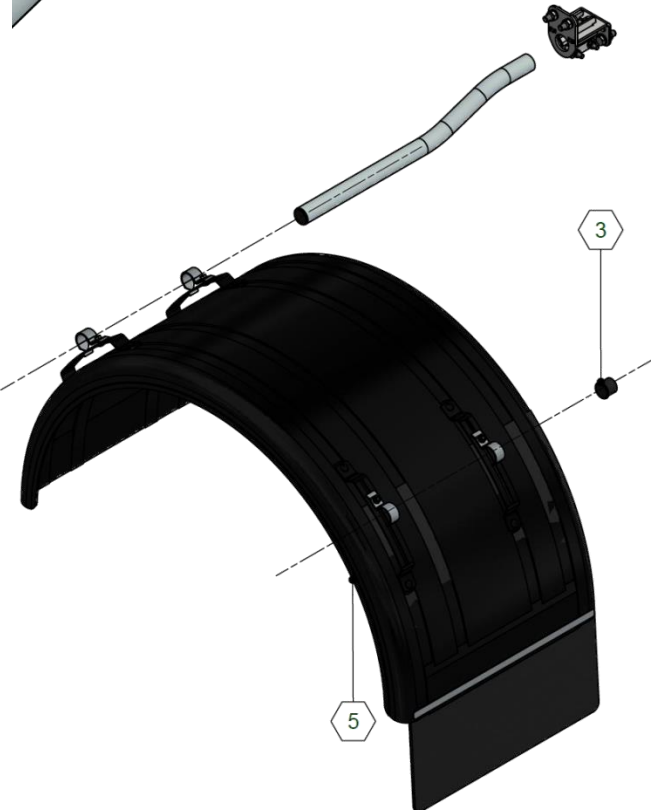
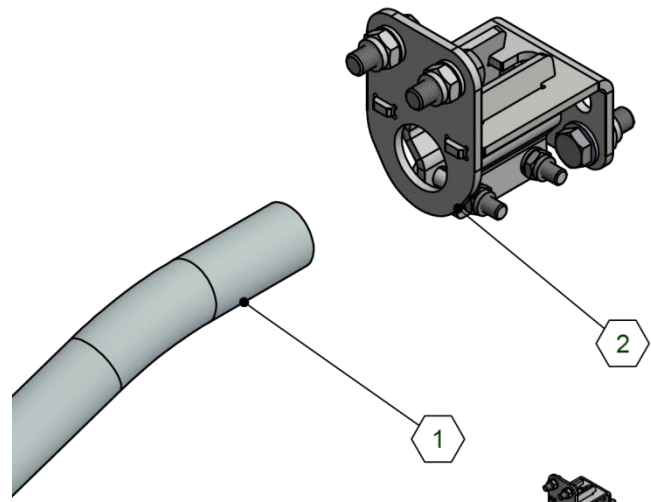
ITEM	QTY	DESCRIPTION	DIMENSIONS	MATERIAL	PART NO.
10	1	MUDGUARD RIGHT		PLASTIC	43013067SR
9	1	MUDGUARD LEFT		PLASTIC	43013067SL
8	4	HEX-HEAD BOLT	M14x60 DIN-931		45011418
7	4	PIPE CLOSING	Ø40mm	PLASTIC	26870055
6	4	NUT SELFLOCK	M14 DIN985 8.8 Zp		45081415
5	4	WASHER	DIN-125-A-15		45110114
4	4	SPRING WASHER	M14 DIN 127 Zp		45110214
3	2	PIPE CLAMP BRACKET			AE081467
2	2	MUDGUARD PIPE BENDED	Ø42.4x2.64 L=735	S355JR (ST.52-3)	AE080619
1	2	COMPONENT MOUNT REAR			AE080615





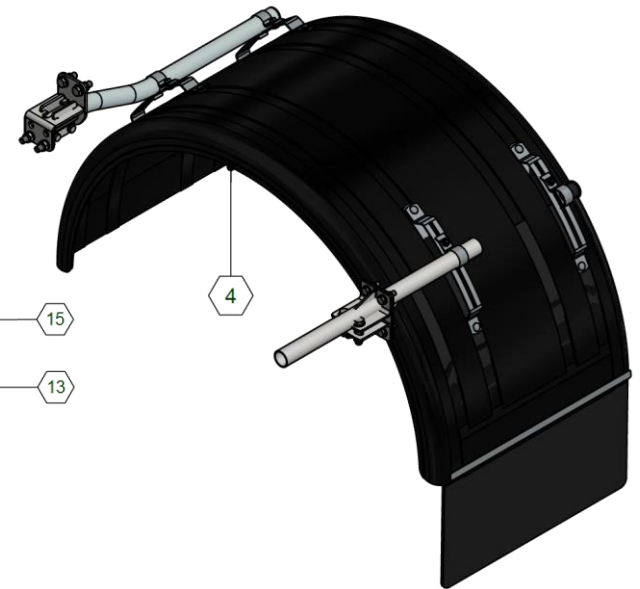
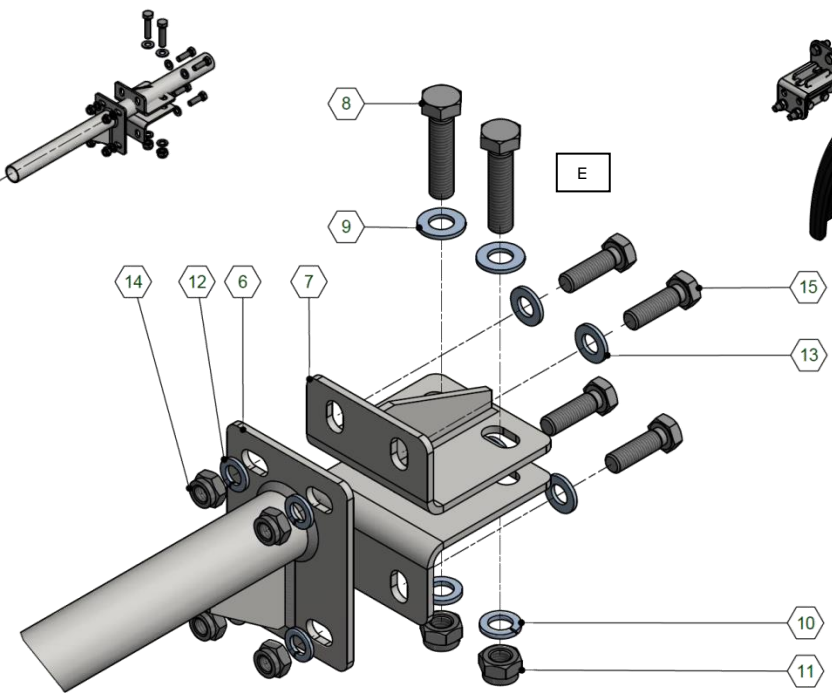
PLASTIC MUDGUARDS, LAST AXLE - OT50105

Part	
AE080651	1/1



E

POS	QTY	DESCRIPTION	DIMENSIONS	MATERIAL	PART NO. NT
15	8	HEX. HEAD BOLT	M12x40 DIN933	8.8 GEOMET321 A	45011214
14	8	HEX. LOCKING NUT	M12 DIN985	8 Fe/Zn 7 IV S	45081215
13	8	PLAIN WASHER	M12 DIN125-1A	GEOMET321 A	45110112
12	8	SPRING WASHER	M12 DIN127	GEOMET 321 A	45110212
11	4	HEX. LOCKING NUT	M14 DIN985	8 Fe/Zn 7 IV S	45081415
10	4	SPRING WASHER	M14 DIN127	GEOMET 321 A	45110214
9	4	PLAIN WASHER	M14 DIN125-1A	GEOMET321 A	45110114
8	4	HEX. HEAD BOLT	M14x60 DIN933	8.8 GEOMET321 A	45011418
7	4	FENDER BRACKET SUPPORT			AE083420
6	2	FENDER BRACKET			AE083421
5	1	MUDGUARD LEFT		PLASTIC	43013067S
4	1	MUDGUARD RIGHT		PLASTIC	43013067S_MIR
3	4	PIPE CLOSING	Ø40mm	PLASTIC	26870055
2	2	PIPE CLAMP BRACKET			AE081467
1	2	MUDGUARD PIPE BENDED	Ø42.4x2.64 L=735	S355JR (ST.52-3)	AE080619

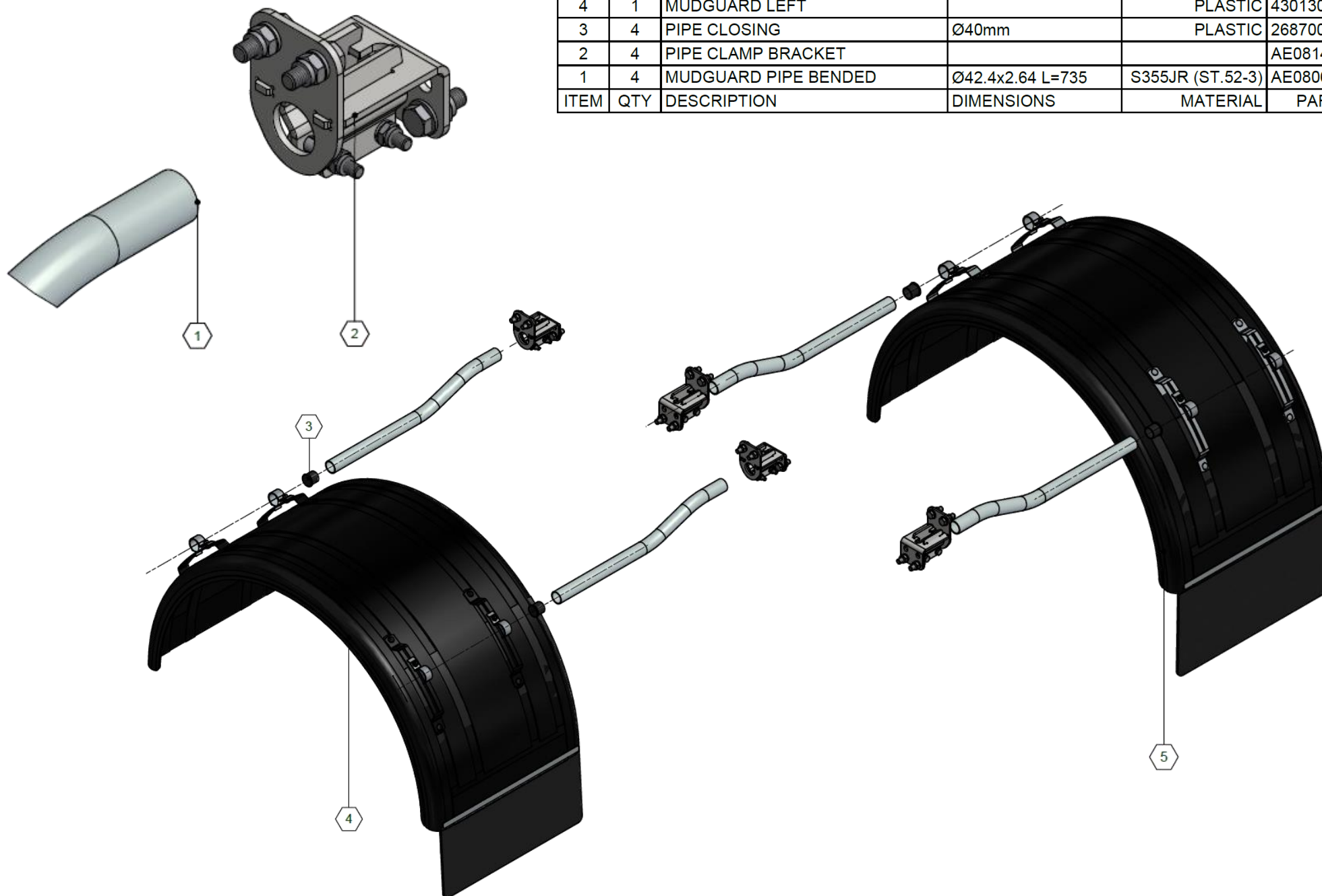


PLASTIC MUDGUARDS, 2nd , 3rd AXLE, PER AXLE - OT50106

 Part
 AE080652

1/1

5	1	MUDGUARD RIGHT		PLASTIC	43013067SR
4	1	MUDGUARD LEFT		PLASTIC	43013067SL
3	4	PIPE CLOSING	Ø40mm	PLASTIC	26870055
2	4	PIPE CLAMP BRACKET			AE081467
1	4	MUDGUARD PIPE BENDED	Ø42.4x2.64 L=735	S355JR (ST.52-3)	AE080619
ITEM	QTY	DESCRIPTION	DIMENSIONS	MATERIAL	PART NO.

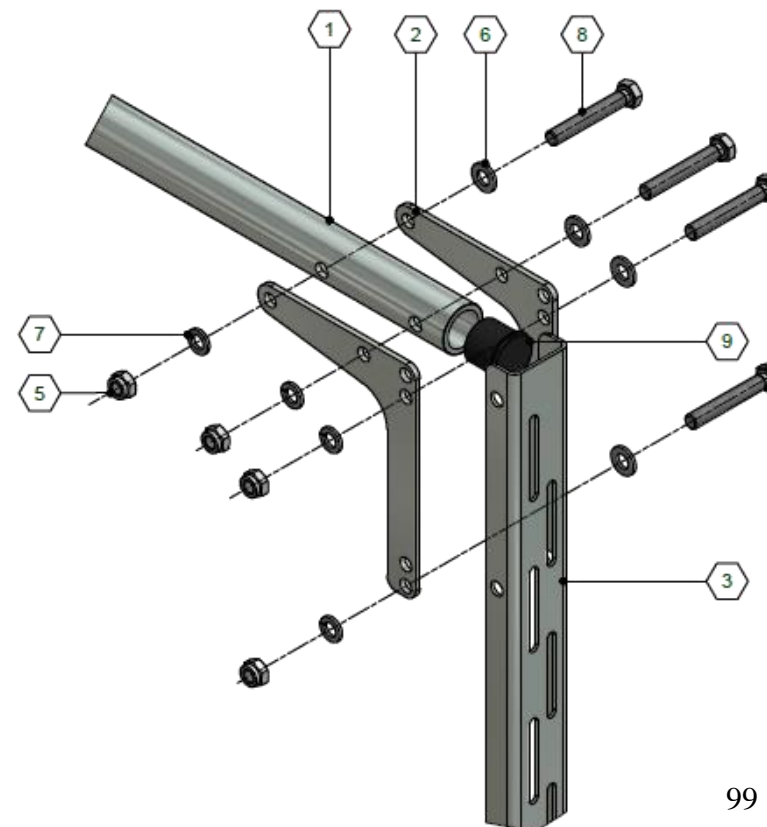
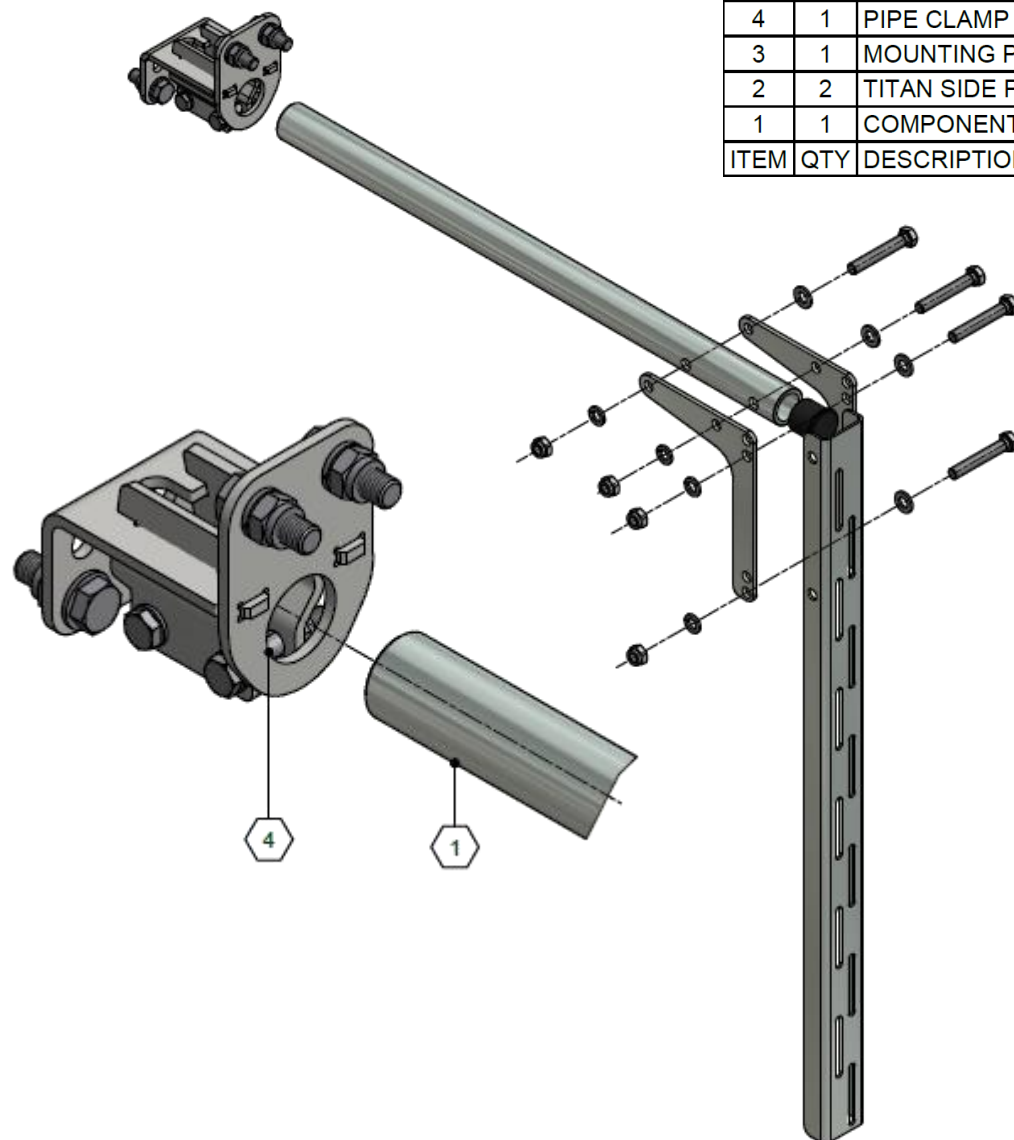


ALUMINIUM SIDE PROTECTION BRACKETS- OT50108

Part
AE080654

1/1

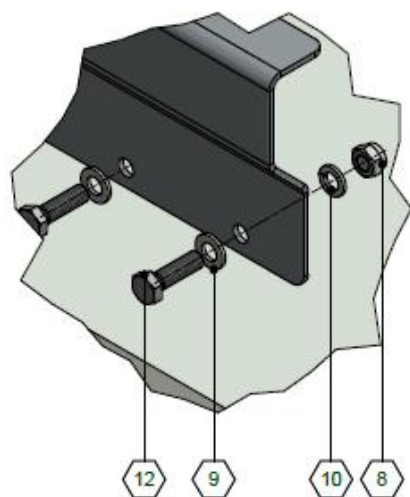
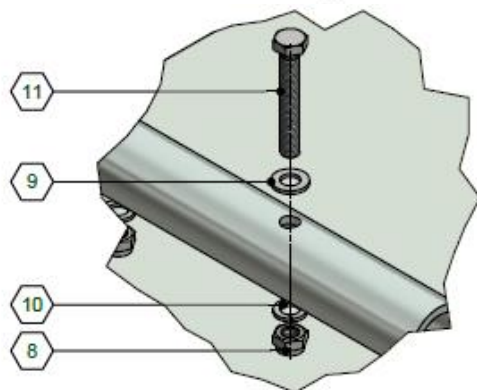
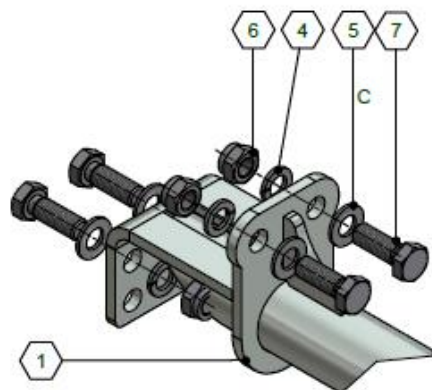
9	1	PIPE CLOSING	Ø40mm	PLASTIC	26870055
8	4	HEX-HEAD BOLT	M12 x 80 DIN-933		45011230
7	4	SPRING WASHER	M12 DIN 127 Zp		45110212
6	4	WASHER	DIN-125-A-13		45110112
5	4	HEX NUT	M12 DIN985 8.8		45081215
4	1	PIPE CLAMP BRACKET			AE081467
3	1	MOUNTING PROFILE SIDE PROTECTION		S355JR	AE080631
2	2	TITAN SIDE PROTECTION CORNER		S355JR	AE080630
1	1	COMPONENT PIPE STRAIGHT		S355JR	AE080629
ITEM	QTY	DESCRIPTION	DIMENSIONS	MATERIAL	PART NO.



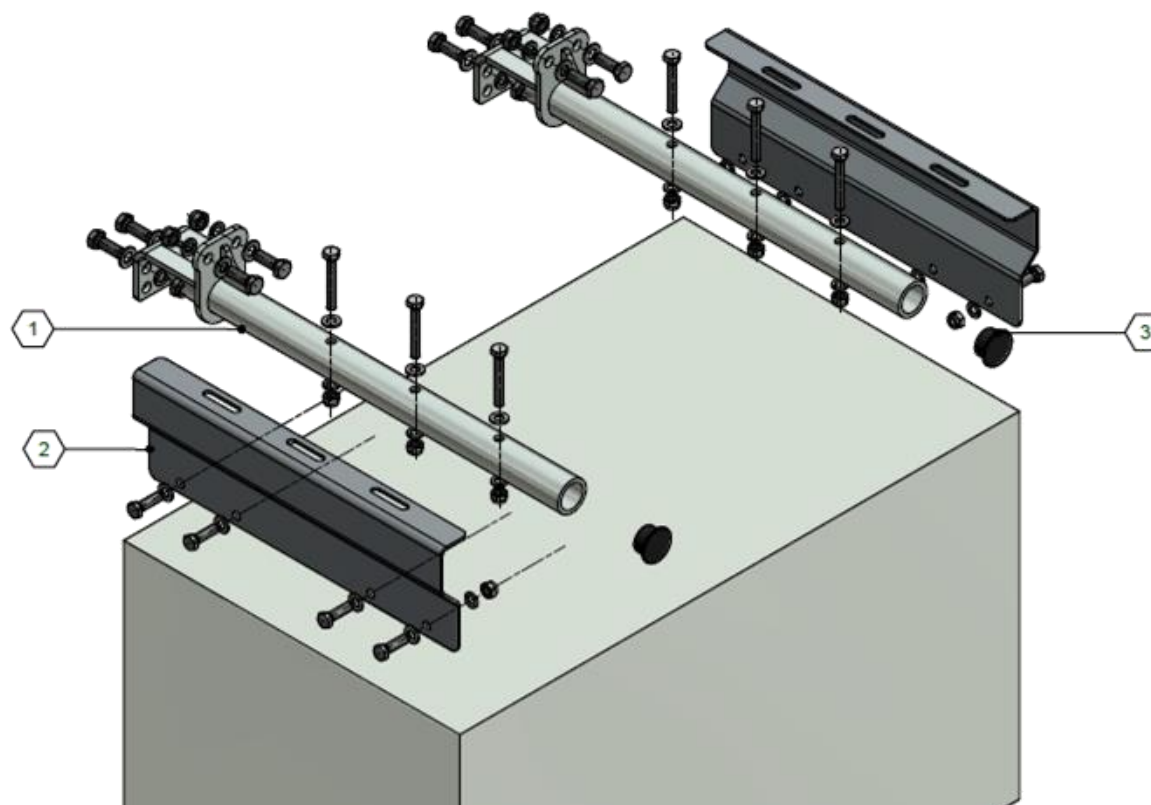
TOOLBOX MOUNTING BRACKETS – OT501 10/11/14/16/19

 Part
AE080656

1/1



12	8	HEX-HEAD BOLT	M12 x 40 DIN-933		45011214
11	6	HEX-HEAD BOLT	M12 x 80 DIN-933		45011230
10	14	SPRING WASHER	M12 DIN 127 Zp		45110212
9	14	WASHER	DIN-125-A-13		45110112
8	14	HEX NUT	M12 DIN985 8.8		45081215
7	8	BOLT	M14x40 DIN-933		45011410
6	8	NUT SELFLOCK	M14 DIN985 8.8 Zp		45081415
5	8	WASHER	DIN-125-A-15		45110114
4	8	SPRING WASHER	M14 DIN 127 Zp		45110214
3	2	PIPE CLOSING		PLASTIC	43010248
2	2	TITAN TOOLBOX MOUNTING PROFILE		S355JR	AE080628
1	2	TITAN COMPONENT SUPPORT HD			AE080625
ITEM	QTY	DESCRIPTION	DIMENSIONS	MATERIAL	PART NO.





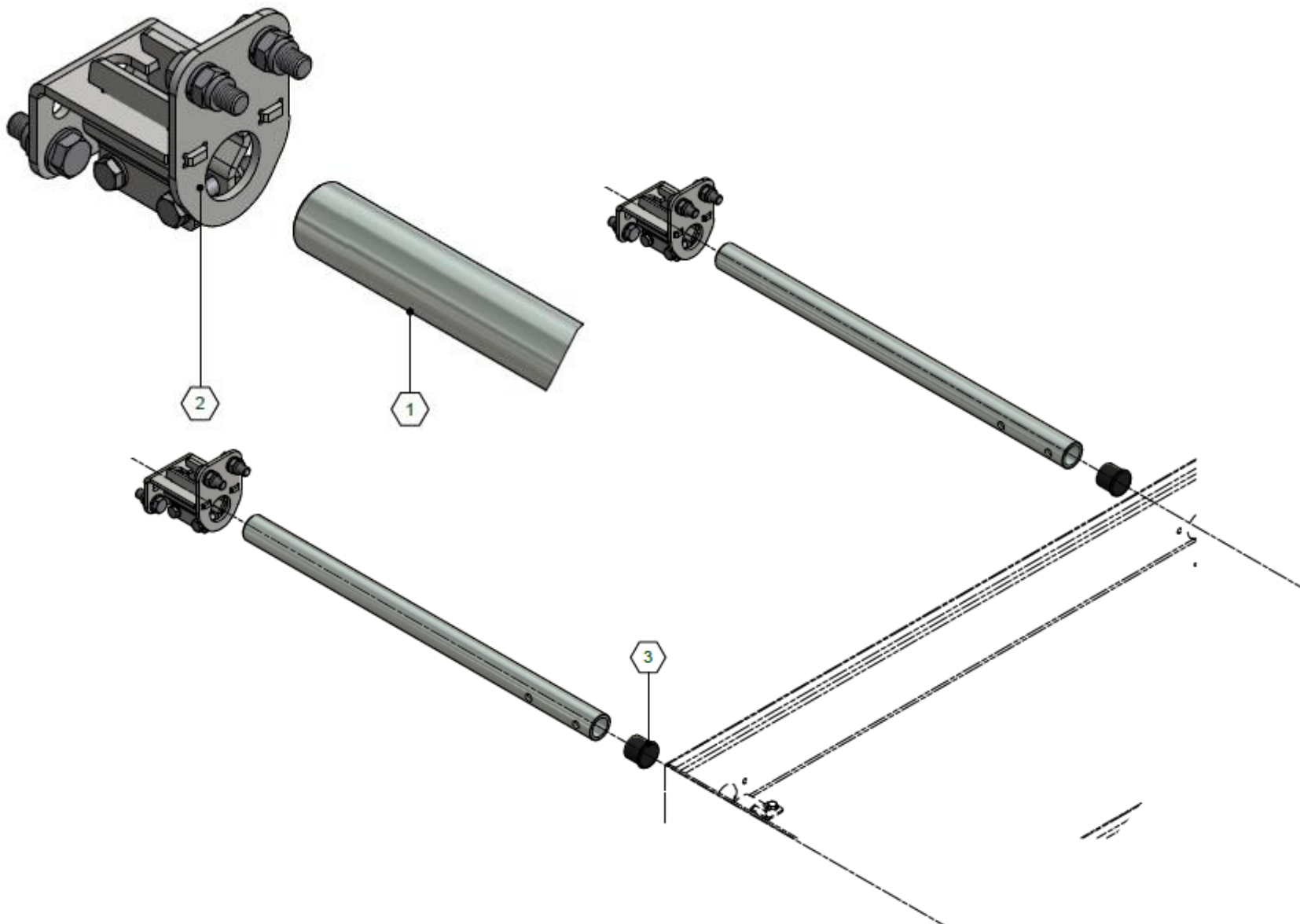
TARPAULIN BOX MOUNTING BRACKETS – OT50121

Part

AE081466

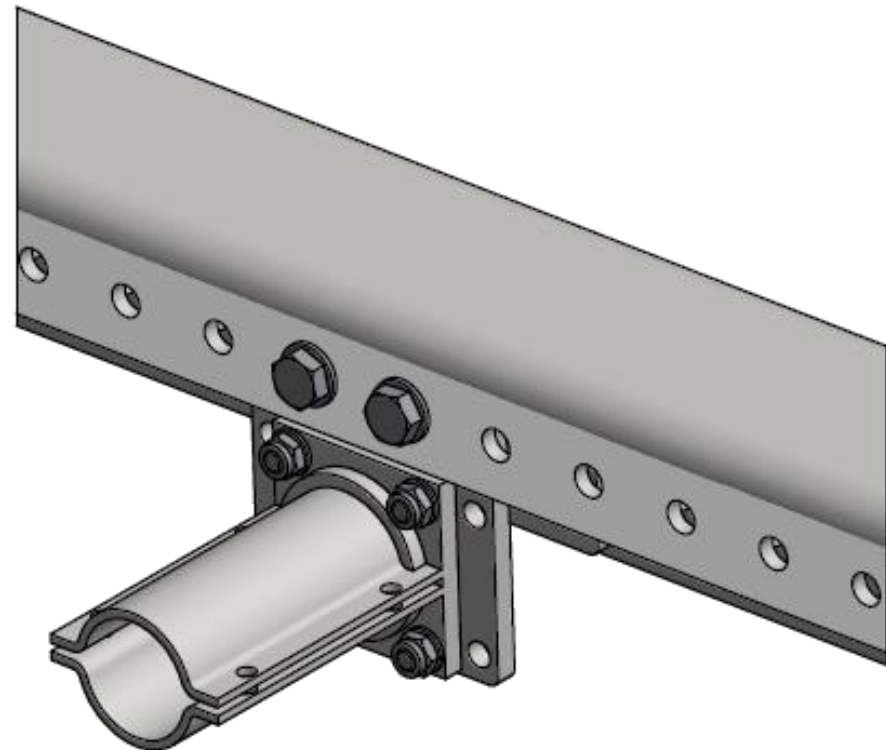
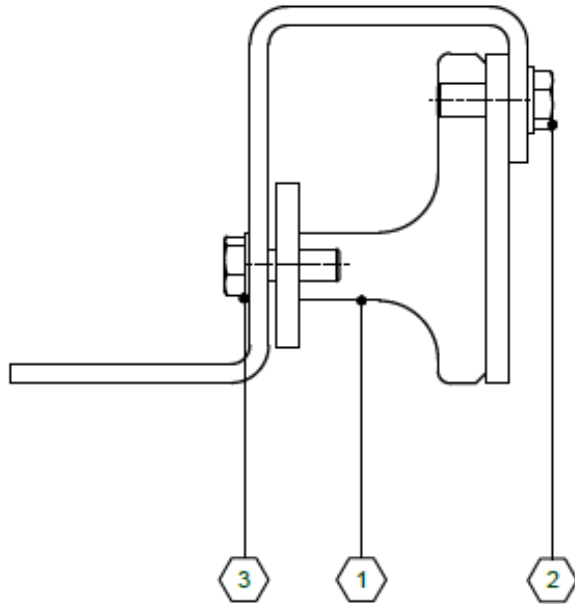
1/1

ITEM	QTY	DESCRIPTION	DIMENSIONS	MATERIAL	PART NO.
3	2	PIPE CLOSING	Ø40mm	PLASTIC	26870055
2	2	PIPE CLAMP BRACKET			AE081467
1	2	COMPONENT PIPE STRAIGHT		S355JR (ST.52-3)	AE080629



<h1 style="margin: 0;">MOUNTING SUPPORT FOR SIDE BUMPER BRACKET – OT50127</h1>	Part	
	AE081125	1/1

ITEM	QTY	DESCRIPTION	DIMENSIONS	MATERIAL	PART NO.
3	4	WASHER	DIN-125-A-15		45110114
2	4	BOLT	M14x1.5 x 40 DIN-961 10.9		45021408
1	1	SUPPORT SIDE PROTECTION			AE081220

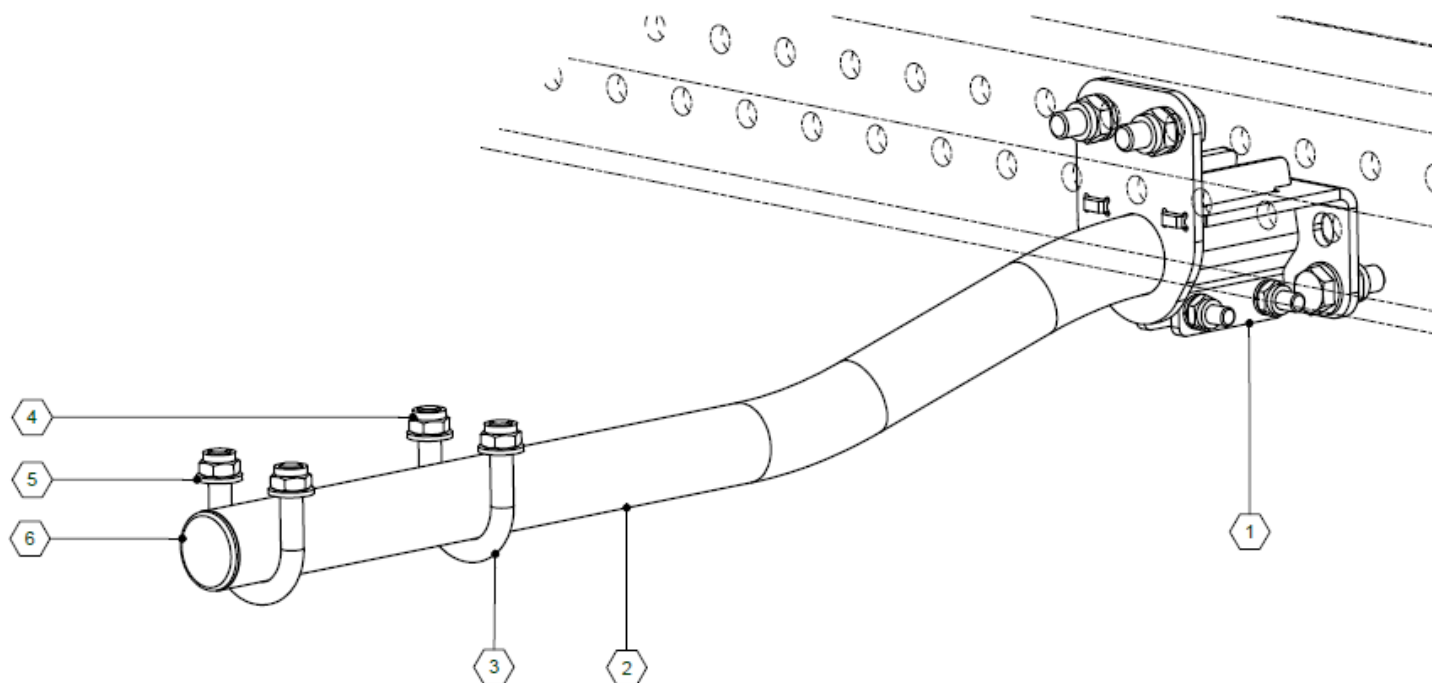


FIRE EXTINGUISHER SUPPORT – OT50129

 Part
AE081018

1/1

ITEM	QTY	DESCRIPTION	DIMENSIONS	MATERIAL	PART NO.
6	1	PIPE CLOSING	Ø40mm	PLASTIC	26870055
5	4	WASHER	DIN-125-A-13		45110112
4	4	HEX NUT	M12 DIN985 8.8		45081215
3	2	CLAMP		S355JR (ST.52-3)	AE080624
2	1	MUDGUARD PIPE BENDED	Ø42.4x2.64 L=735	S355JR (ST.52-3)	AE080619
1	1	PIPE CLAMP BRACKET			AE081467

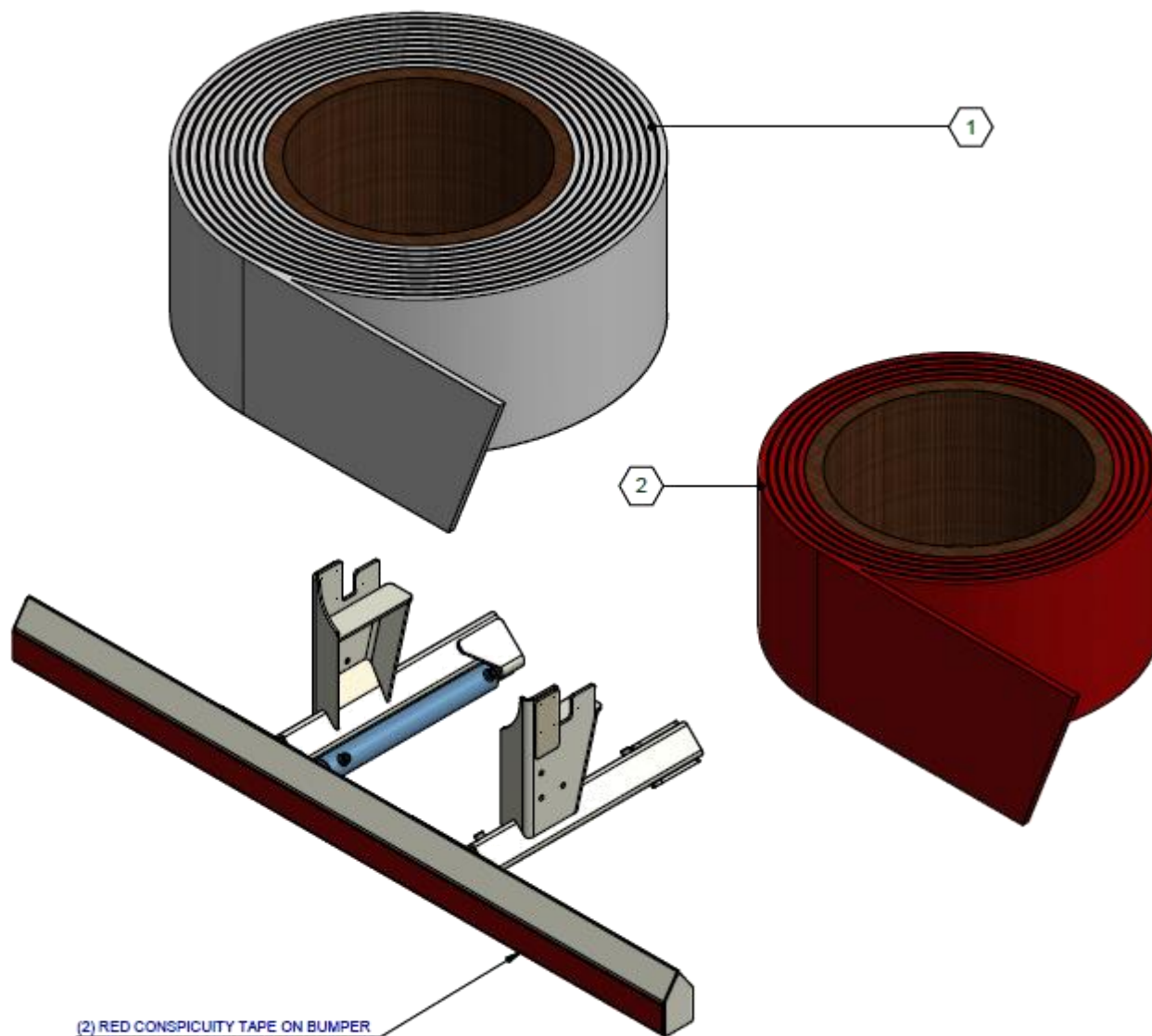




CONSPICUITY TAPE - OT50130

Part	
AE081446	1/1

2	1	CONSPICUITY TAPE RED	2.5 METER	STICKER	10050437
1	1	CONSPICUITY TAPE WHITE	12 METER	STICKER	10050435
ITEM	QTY	DESCRIPTION	DIMENSIONS	MATERIAL	PART NO.

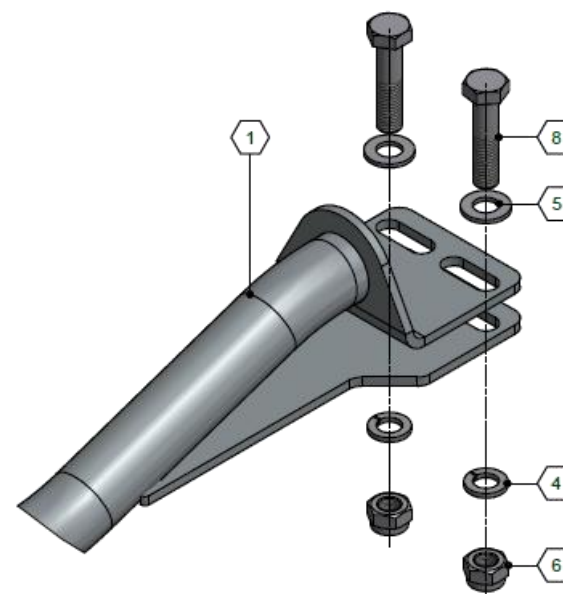
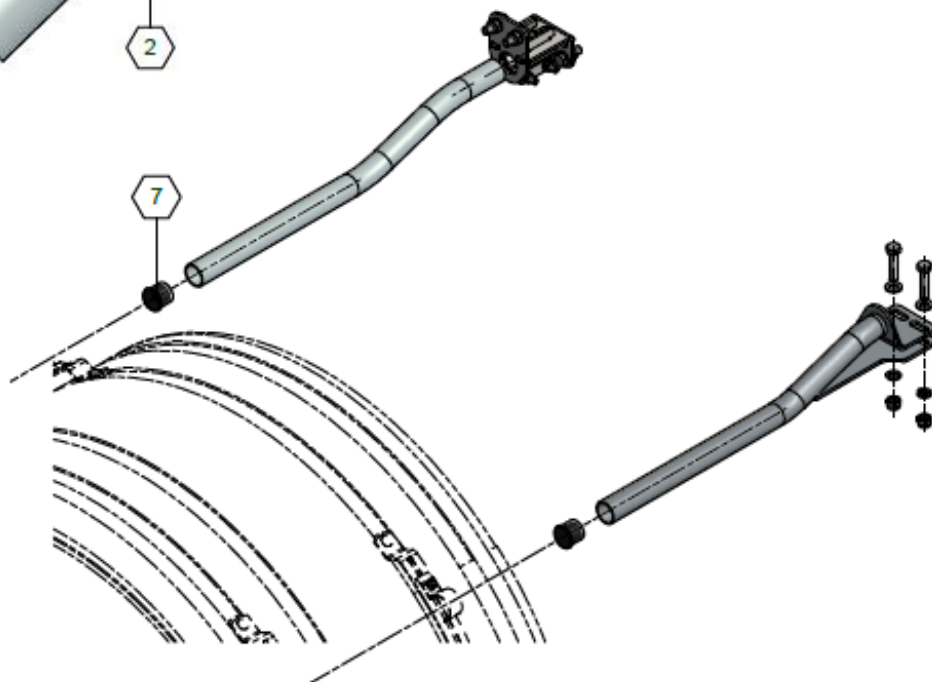
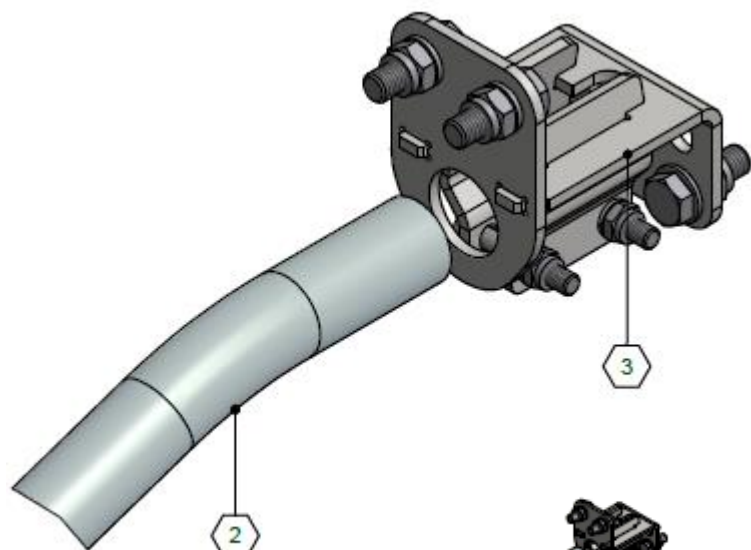


MOUNTING BRACKETS (LAST AXLE)- OT50131

Part
AE081439

1/1

ITEM	QTY	DESCRIPTION	DIMENSIONS	MATERIAL	PART NO.
8	4	HEX-HEAD BOLT	M14x60 DIN-931		45011418
7	4	PIPE CLOSING	Ø40mm	PLASTIC	26870055
6	4	NUT SELFLOCK	M14 DIN985 8.8 Zp		45081415
5	4	WASHER	DIN-125-A-15		45110114
4	4	SPRING WASHER	M14 DIN 127 Zp		45110214
3	2	PIPE CLAMP BRACKET			AE081467
2	2	MUDGUARD PIPE BENDED	Ø42.4x2.64 L=735	S355JR (ST.52-3)	AE080619
1	2	COMPONENT MOUNT REAR			AE080615
ITEM	QTY	DESCRIPTION	DIMENSIONS	MATERIAL	PART NO.

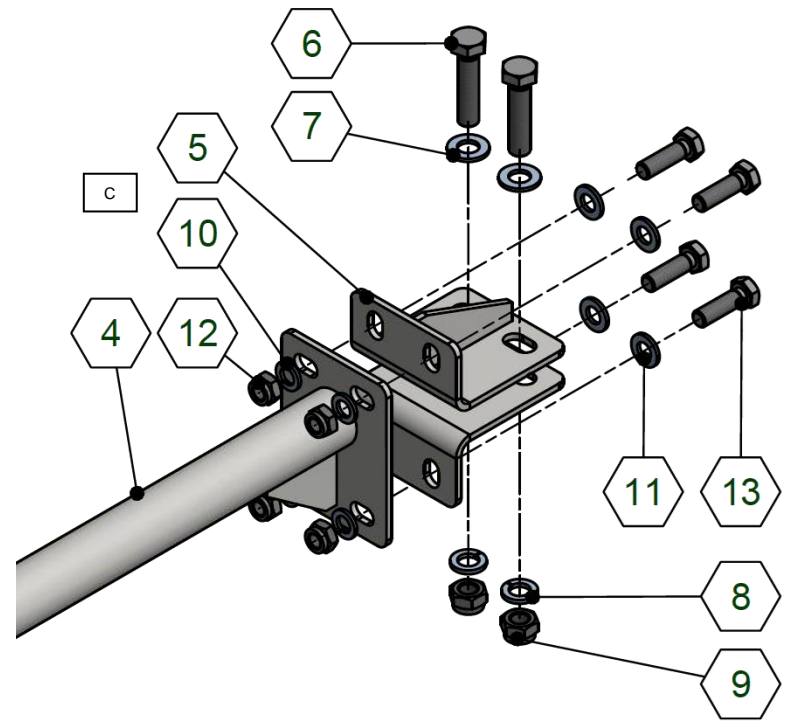
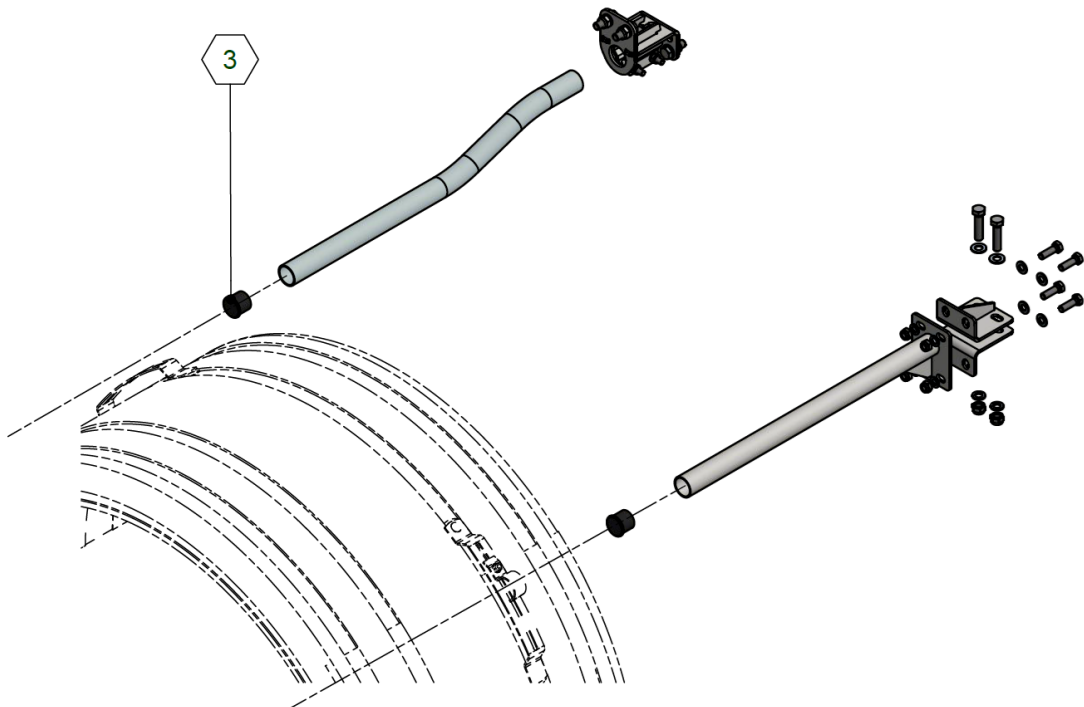
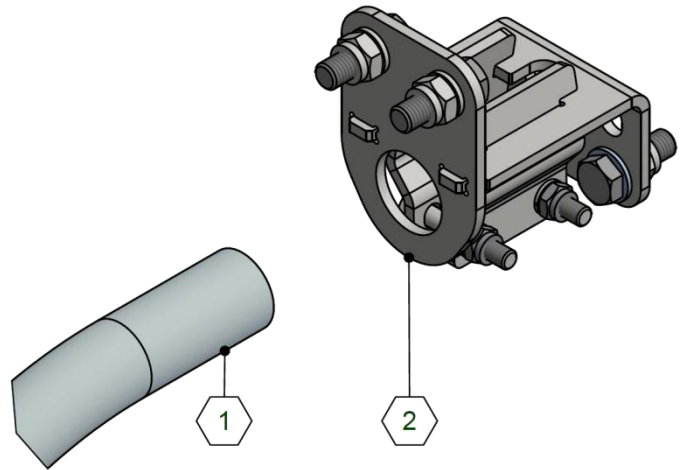




MOUNTING BRACKETS (LAST AXLE)- OT50131

Part	
AE081439	1/1

POS	QTY	DESCRIPTION	DIMENSIONS	MATERIAL	PART NO. NT
13	8	HEX. HEAD BOLT	M12x40 DIN933	8.8 GEOMET321 A	45011214
12	8	HEX. LOCKING NUT	M12 DIN985	8 Fe/Zn 7 IV S	45081215
11	8	PLAIN WASHER	M12 DIN125-1A	GEOMET321 A	45110112
10	8	SPRING WASHER	M12 DIN127	GEOMET 321 A	45110212
9	4	HEX. LOCKING NUT	M14 DIN985	8 Fe/Zn 7 IV S	45081415
8	4	SPRING WASHER	M14 DIN127	GEOMET 321 A	45110214
7	4	PLAIN WASHER	M14 DIN125-1A	GEOMET321 A	45110114
6	4	HEX. HEAD BOLT	M14x60 DIN933	8.8 GEOMET321 A	45011418
5	4	FENDER BRACKET SUPPORT			AE083420
4	2	FENDER BRACKET			AE083421
3	4	PIPE CLOSING	Ø40mm	PLASTIC	26870055
2	2	PIPE CLAMP BRACKET			AE081467
1	2	MUDGUARD PIPE BENDED	Ø42.4x2.64 L=735	S355JR (ST.52-3)	AE080619

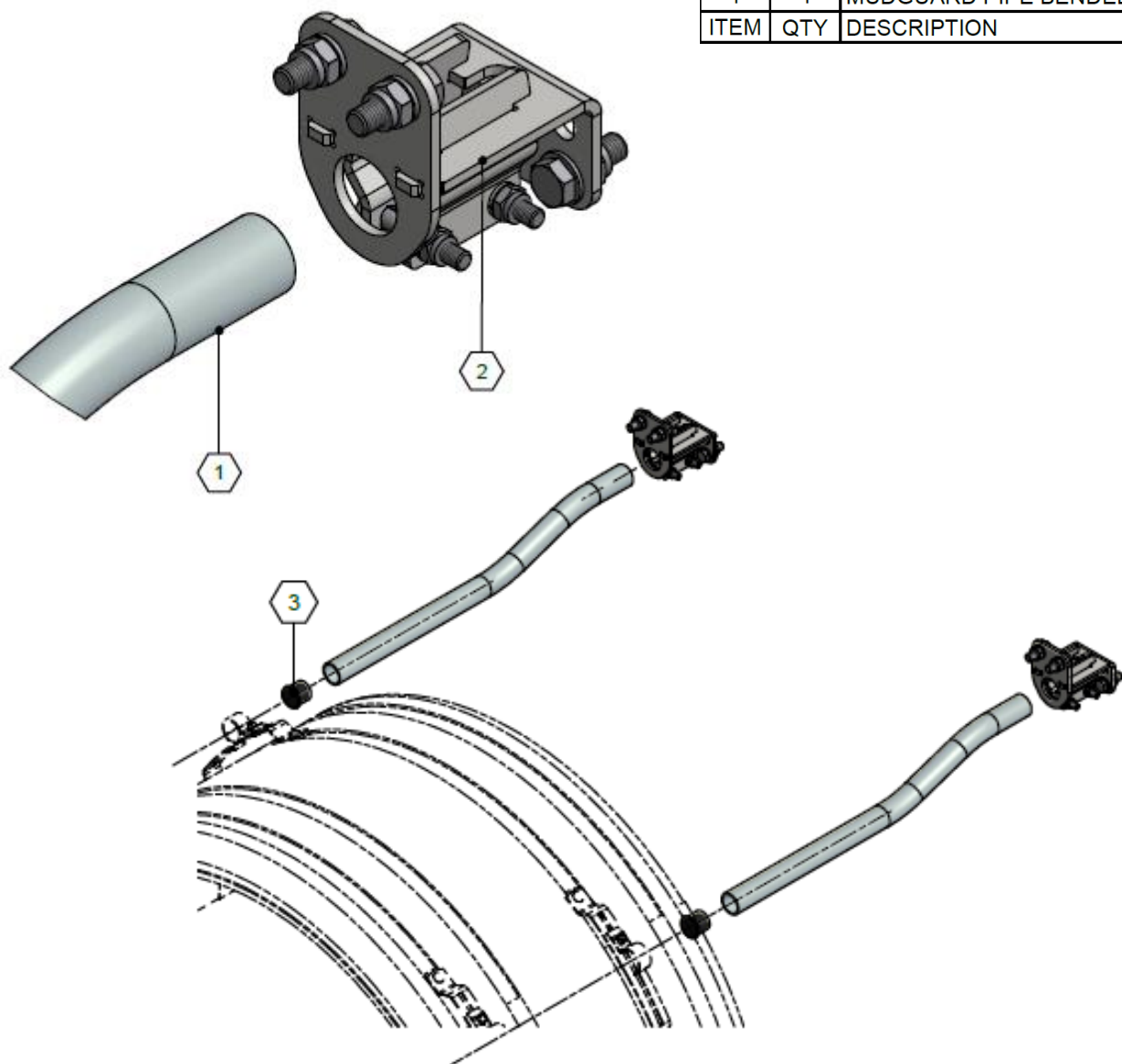


MOUNTING BRACKETS WITH OUT PLASTIC MUDGUARDS - OT50132

 Part
AE081440

1/1

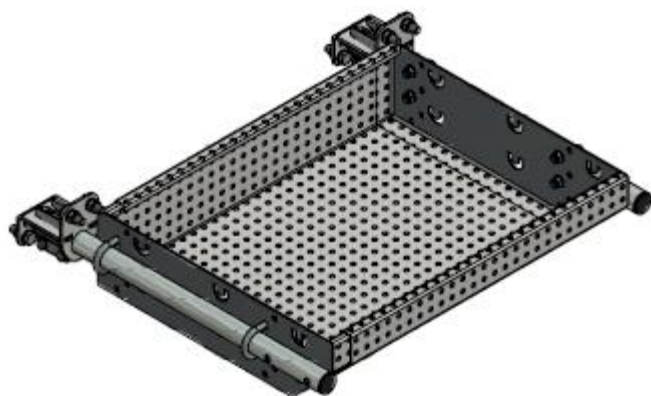
ITEM	QTY	DESCRIPTION	DIMENSIONS	MATERIAL	PART NO.
3	4	PIPE CLOSING	Ø40mm	PLASTIC	26870055
2	4	PIPE CLAMP BRACKET			AE081467
1	4	MUDGUARD PIPE BENDED	Ø42.4x2.64 L=735	S355JR (ST.52-3)	AE080619



TARPAULIN BOX INCL. MOUNTING BRACKETS - OT50133

Part
AE081456

1/1

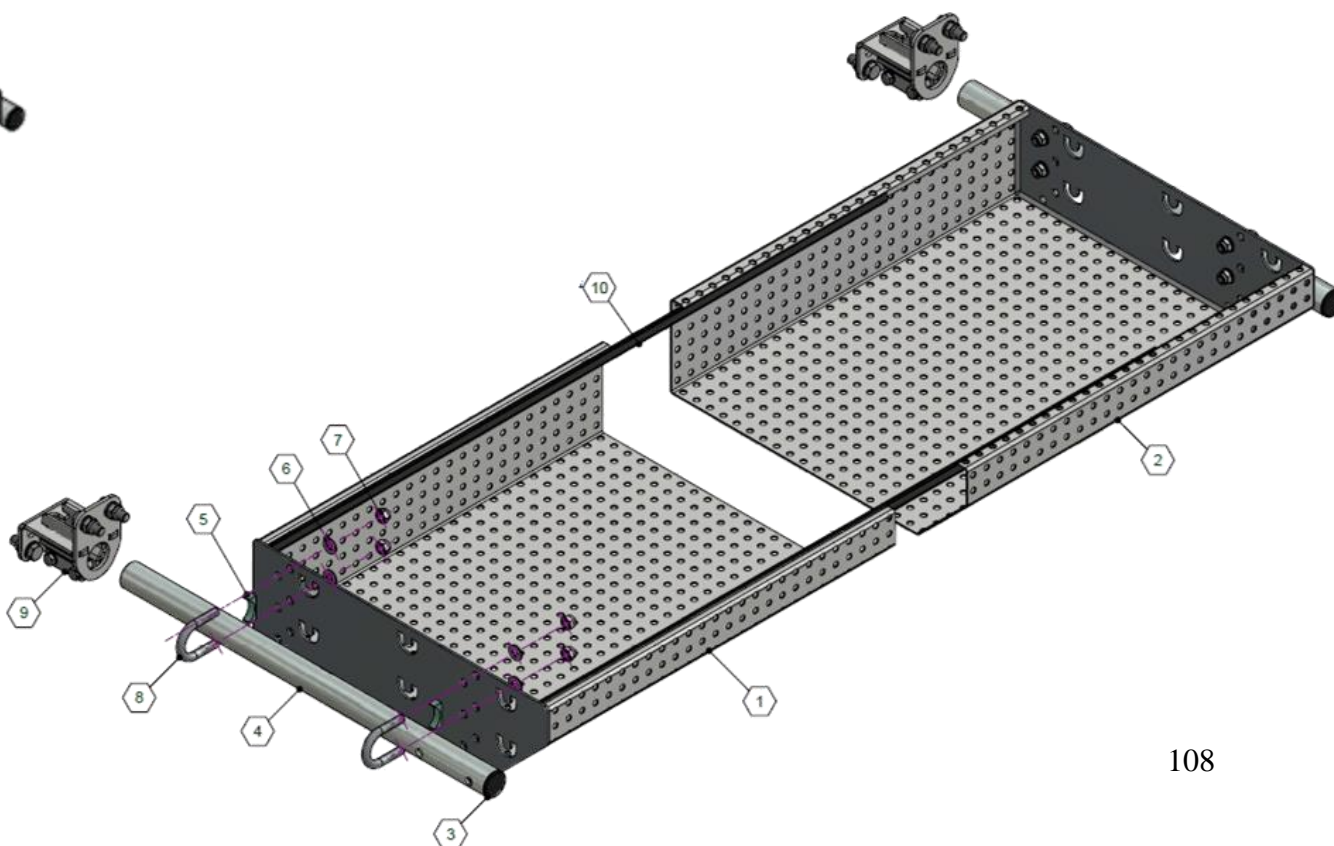


L=750



L=1250

10	2	EDGE PROTECTOR	17x1-4mm L=1250mm	PVC	3190011
9	2	PIPE CLAMP BRACKET			AE081467
8	4	CLAMP			AE080624
7	8	LOCK NUT	M12 DIN985	8 Fe/Zn 7 IV S	45081215
6	8	PLAIN WASHER	M12 DIN125-1A	GEOMET 321 A	45110112
5	4	CLAMP PLATE			AE081025
4	2	COMPONENT PIPE STRAIGHT			AE080629
3	2	PIPE CLOSING	Ø40mm	PLASTIC	26870055
2	1	BOX RIGHT			AE081454
1	1	BOX LEFT			AE081455
POS	QTY	DESCRIPTION	DIMENSIONS	MATERIAL	PART NO. NT

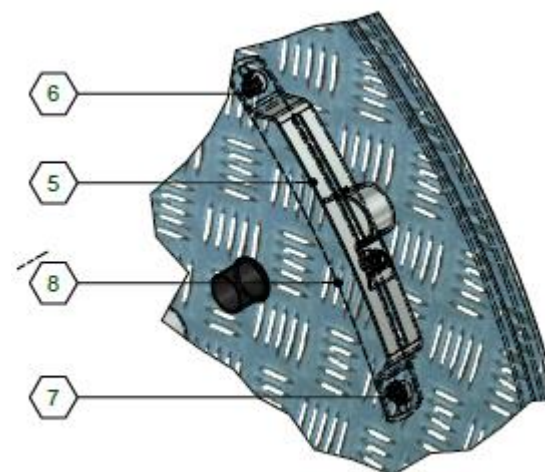
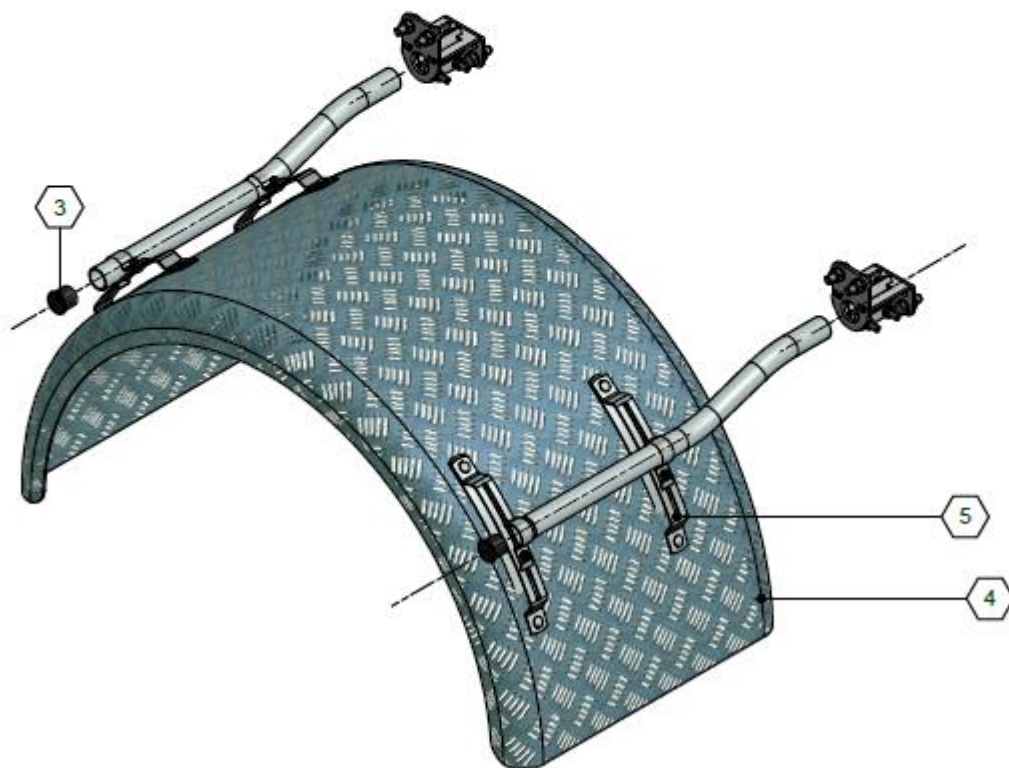
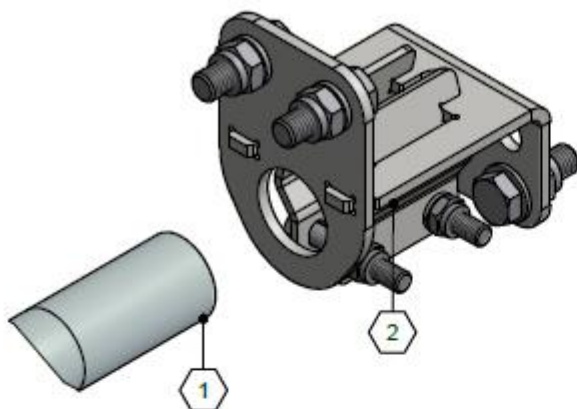


ALUMINIUM MUDGUARDS SINGLE AXLE – OT50137

Part
AE081217

1/1

8	8	Mudguard Support Plate			26870070
7	16	CARRIAGE BOLT	M8x20 DIN 603		15015010
6	16	NUT COLLAR	M8x1.25-8-DIN6923		15029010
5	8	Slide Mounting Mudguard			26870061
4	2	ALU MUDGUARD SINGLE AXLE		Alu	07170134
3	4	PIPE CLOSING	Ø40mm	PLASTIC	26870055
2	4	PIPE CLAMP BRACKET			AE081467
1	4	MUDGUARD PIPE BENDED	Ø42.4x2.64 L=735	S355JR (ST.52-3)	AE080619
ITEM	QTY	DESCRIPTION	DIMENSIONS	MATERIAL	PART NO.





HIGH PRESSURE CARRY OVER – OT50138

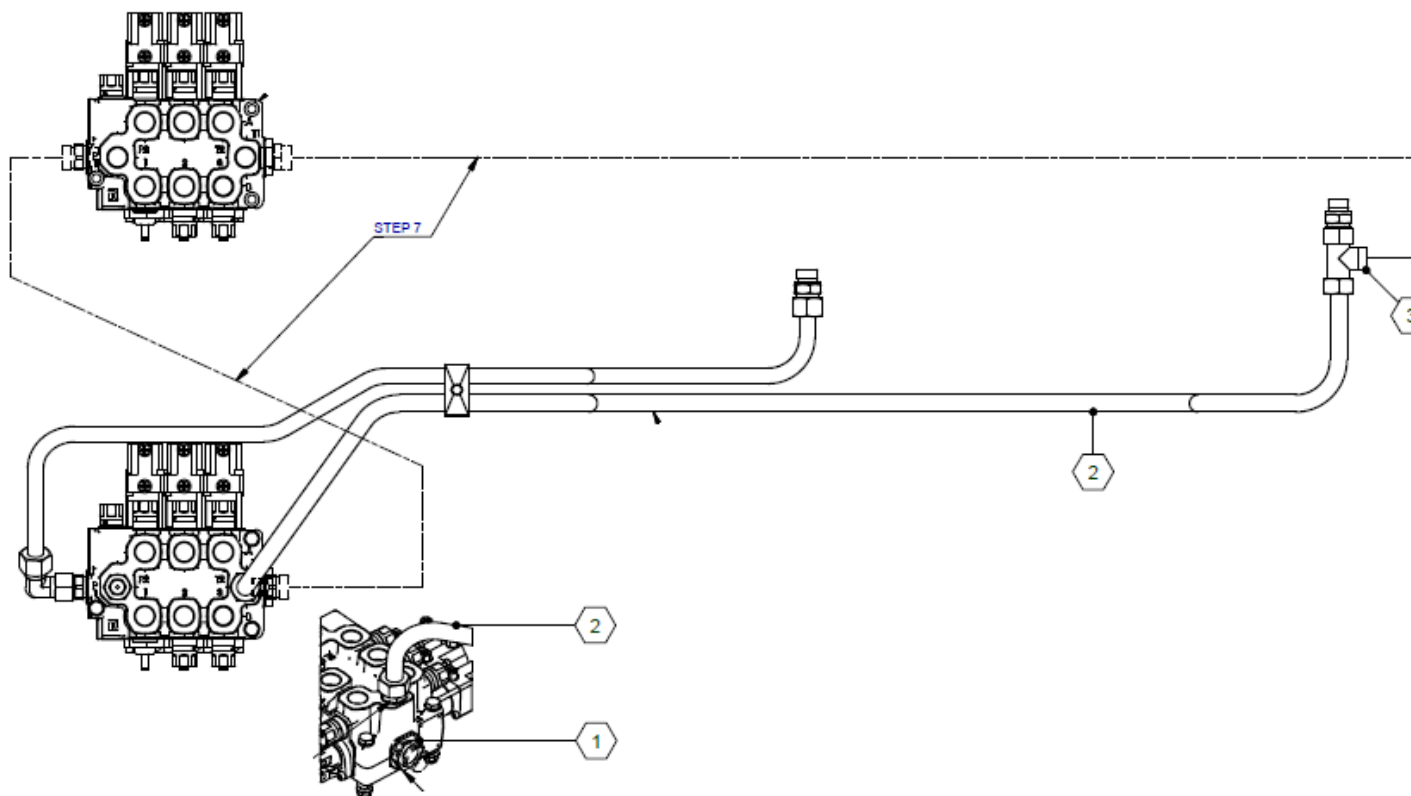
Part

AE081358

1/1

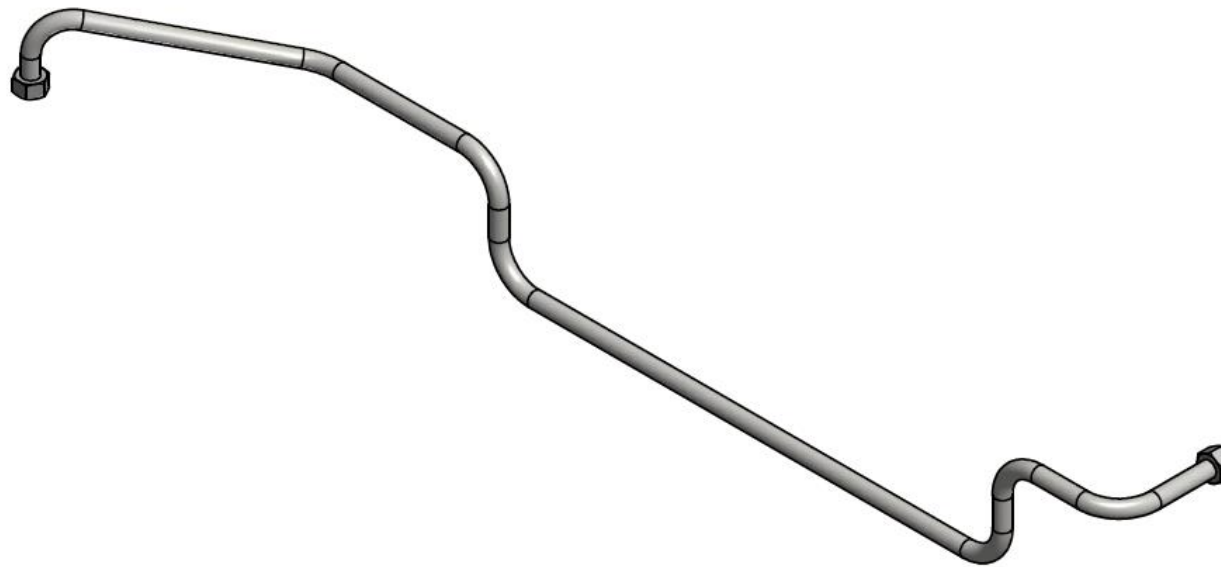
TITAN TYPE	POS 2:
FOR 2 SECTION VB	AE081343
FOR 3 SECTION VB	AE081337
FOR 4 SECTION VB	AE081339
FOR 5/6 SECTION VB	AE081341

ITEM	QTY	DESCRIPTION	DIMENSIONS	MATERIAL	PART NO.
3	1	ADAPTOR L ADJ.-22L			26222600
2	1	PIPE Ø22X2 GALVANISED			SEE TABLE
1	1	SG25 HPCO NIPPLE 1" BSPOT-3/4" BSPIT IN T1			31110092



HIGH PRESSURE CARRY OVER - 2SECTION – OT50138	Part	
	AE081343	1/1

ITEM	QTY	DESCRIPTION	DIMENSIONS	MATERIAL	PART NO.
3	2	CUTTING RING SOFT SEAL	22L	Steel ZP	26223401
2	2	SWIVEL NUT	22L	Steel ZP	26223500
1	1	PIPE Ø22X2 GALVANISED		E235+N	AE081344





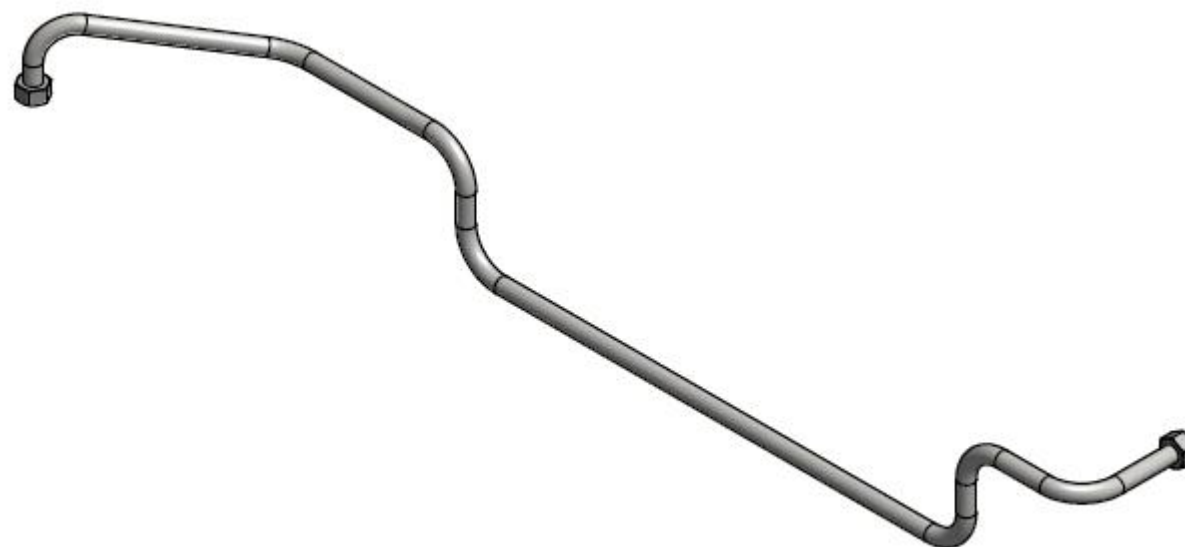
HIGH PRESSURE CARRY OVER - 3SECTION – OT50138

Part

AE081337

1/1

3	2	CUTTING RING SOFT SEAL	22L	Steel ZP	26223401
2	2	SWIVEL NUT	22L	Steel ZP	26223500
1	1	PIPE Ø22X2 GALVANISED		E235+N	AE081338
ITEM	QTY	DESCRIPTION	DIMENSIONS	MATERIAL	PART NO.





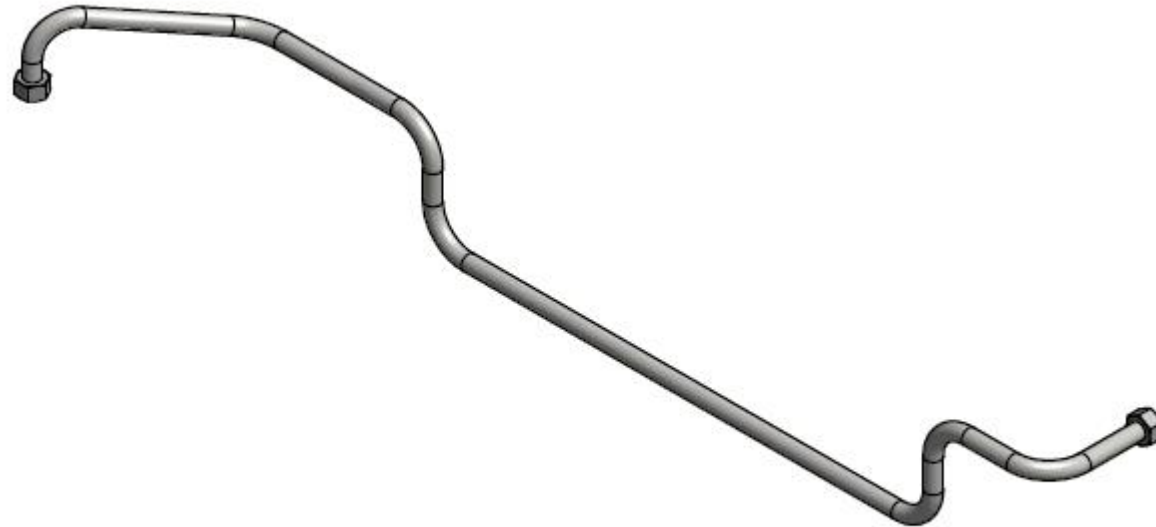
HIGH PRESSURE CARRY OVER - 4SECTION – OT50138

Part

AE081339

1/1

3	2	CUTTING RING SOFT SEAL	22L	Steel ZP	26223401
2	2	SWIVEL NUT	22L	Steel ZP	26223500
1	1	PIPE Ø22X2 GALVANISED		E235+N	AE081340
ITEM	QTY	DESCRIPTION	DIMENSIONS	MATERIAL	PART NO.

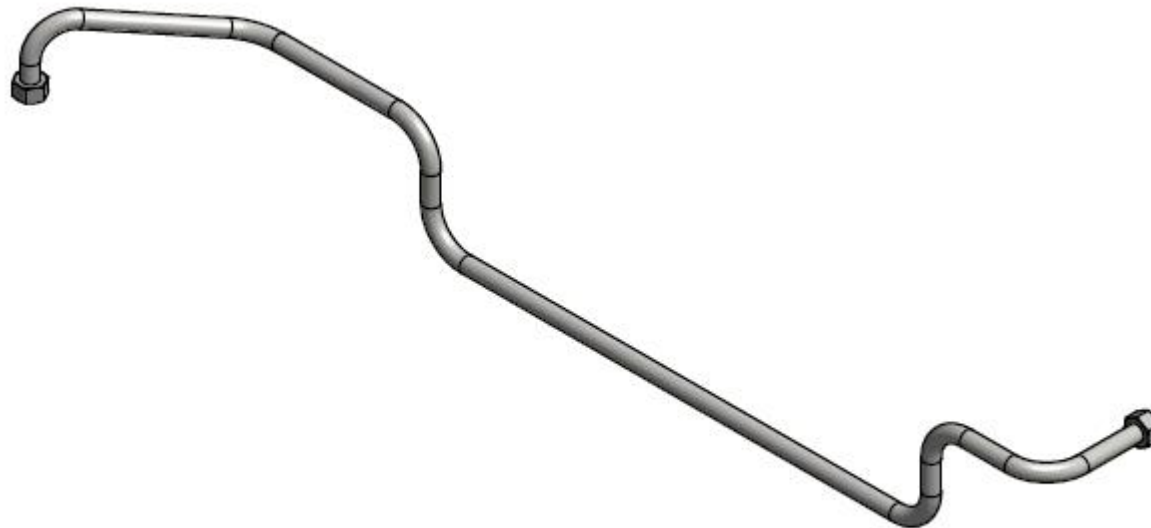




HIGH PRESSURE CARRY OVER – 5/6SECTION – OT50138

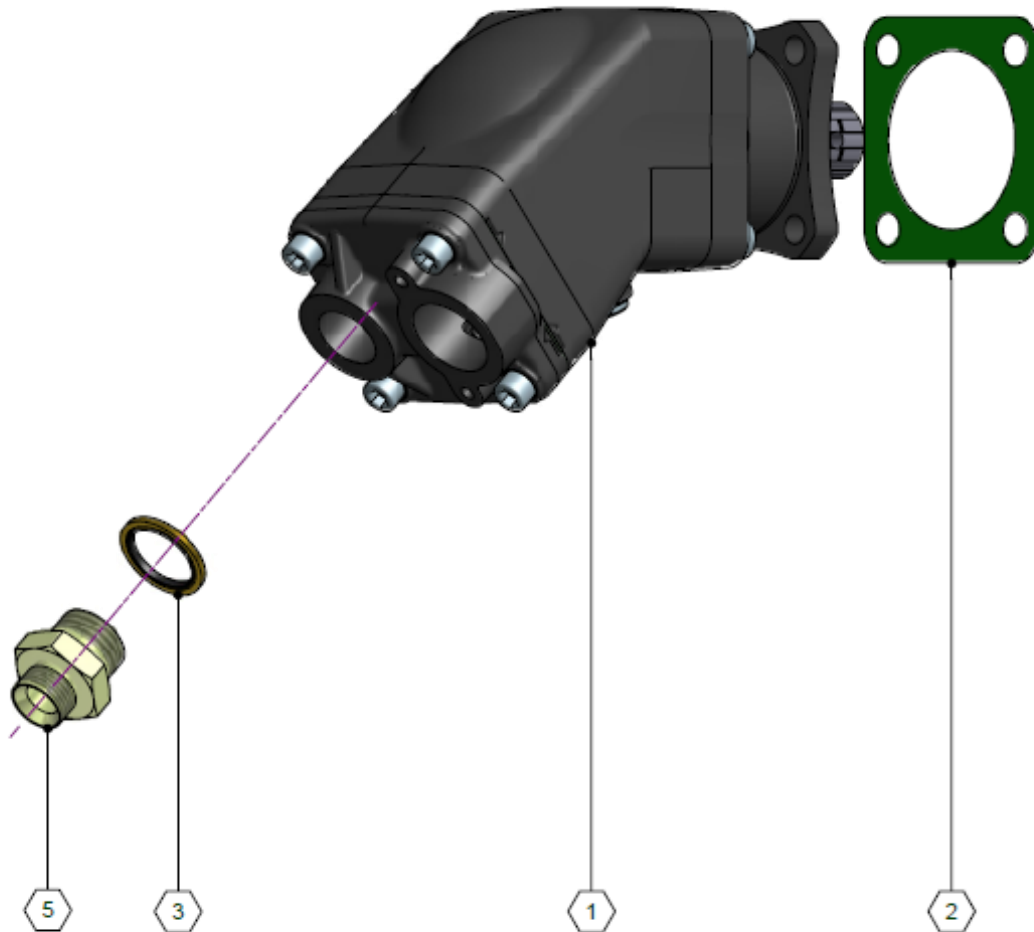
Part	
AE081341	1/1

3	2	CUTTING RING SOFT SEAL	22L	Steel ZP	26223401
2	2	SWIVEL NUT	22L	Steel ZP	26223500
1	1	PIPE Ø22X2 GALVANISED		E235+N	AE081342
ITEM	QTY	DESCRIPTION	DIMENSIONS	MATERIAL	PART NO.



PUMP – STANDARD	Part	
	AE081710	1/1

PUMP	ITEM	QTY	DESCRIPTION	PART NO.
AE081710	1	1	HYVA PUMP 84L	14569300
	2	1	SEAL ON BEHALFOF P.T.O.	N0720112
	3	1	PACKING RING 1"	01313848
	5	1	STRAIGHT ADAPTER 3/4"OT - 1"OT	14799080

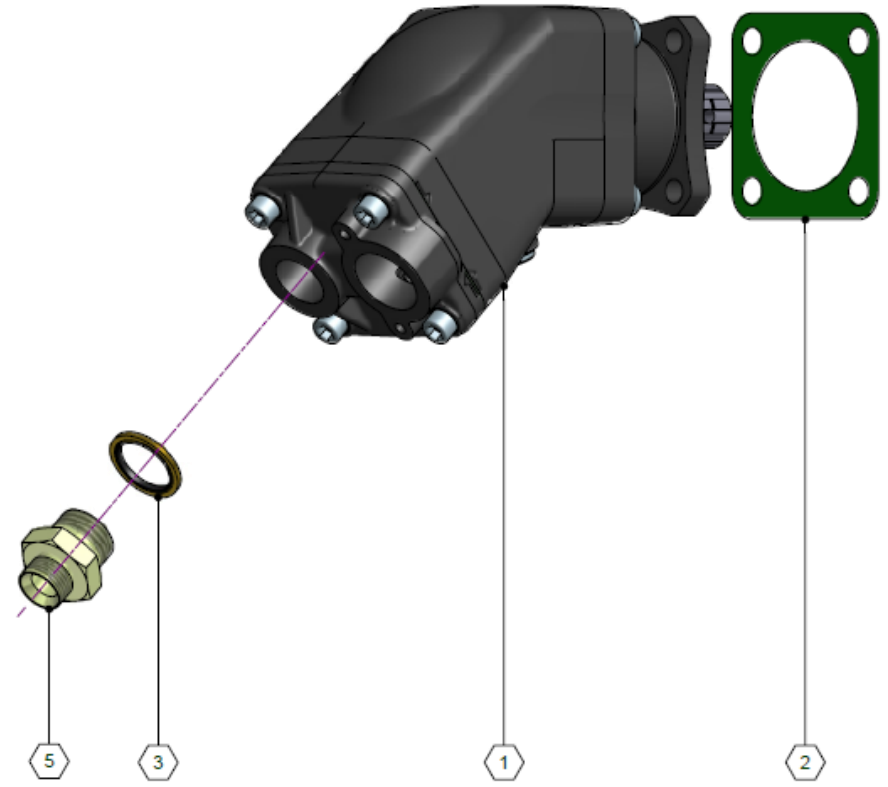
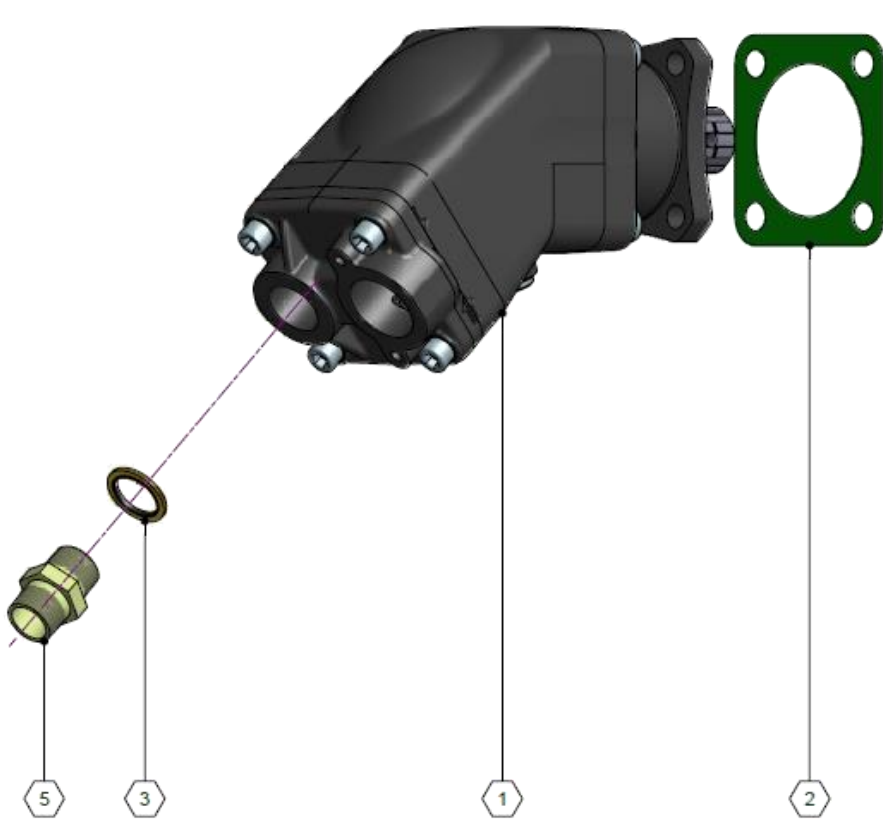




PUMP – OT40122/OT40123/OT40124/OT40125	Part	
	SEE TABLE	1/1

ITEM	QTY	DESCRIPTION	AE081700 (47L)	AE081705 (64L)
1	1	HYVA PUMP	14569000	14569004
2	1	SEAL ON BEHALFOF P.T.O.	N0720112	
3	1	BONDED SEAL 3/4"	01206850	
4	1	STRAIGHT ADAPTER 3/4"OT - 3/4"OT	01222661	

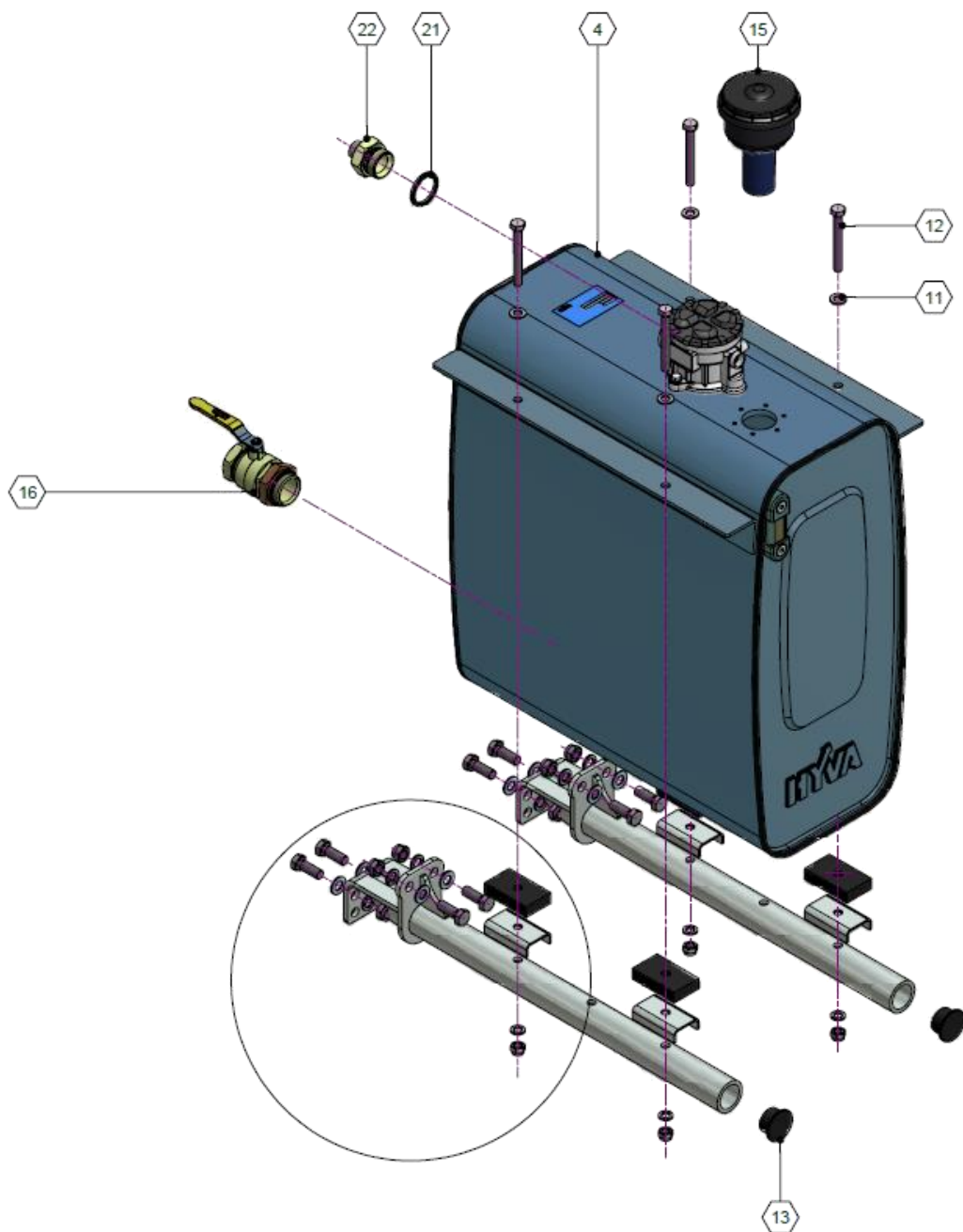
ITEM	QTY	DESCRIPTION	AE081710 (84L)	AE081715 (108L)
1	1	HYVA PUMP	14569300	14569320
2	1	SEAL ON BEHALFOF P.T.O.	N0720112	
3	1	PACKING RING 1"	01313848	
4	1	STRAIGHT ADAPTER 3/4"OT - 1"OT	14799080	



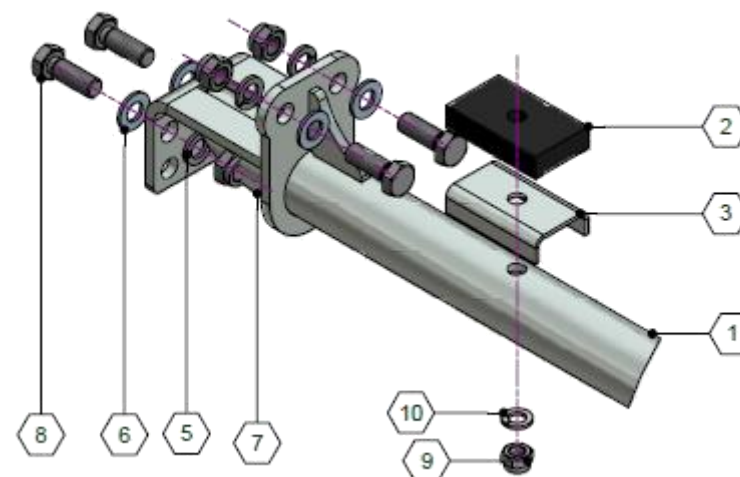
OIL TANK-STANDARD

Part
AE080655

1/1



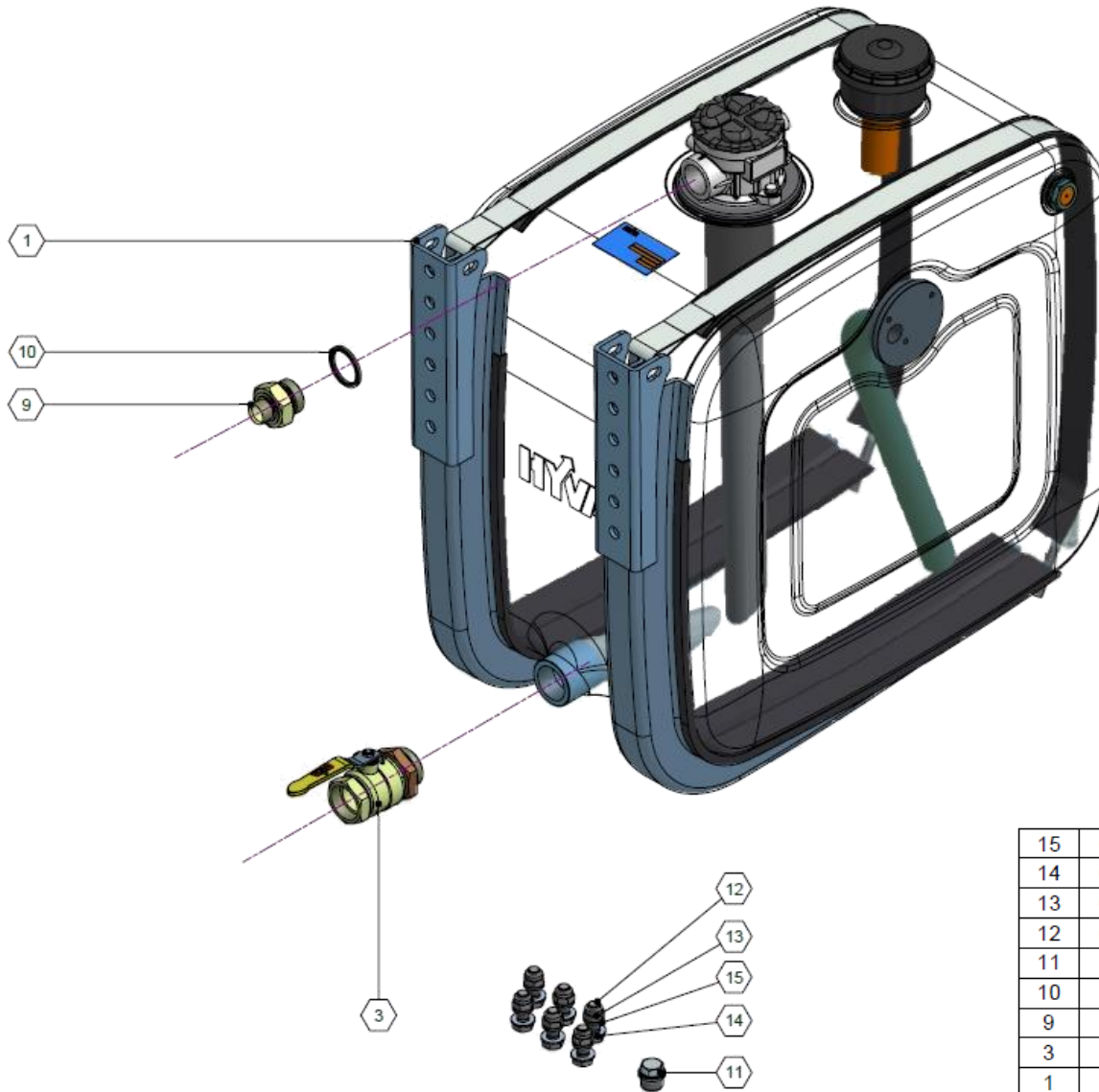
22	1	STRAIGHT ADAPTER	HP1 1/4" BSPOTx3/4"	230Mo7	01317959
21	1	PACKING RING	1 1/4"		01206874
16	1	BALLVALVE	1 1/2		14780981
15	1	OILTANK FILLERCAP	PI 0126 MIC 10		08102116
13	2	PIPE CAP	38x50	BLACK PE	43010248
12	4	HEX-HEAD BOLT	M12x100 DIN933	8.8 GEOMET 321 A	45011238
11	4	PLAIN WASHER	M12 DIN125-1A	8.8 GEOMET 321 A	45110112
10	4	SPRING WASHER	M12 DIN127	8.8 GEOMET 321 A	45110212
9	4	HEX LOCK NUT	M12 DIN985	8.8 Fe/Zn 7 IV S	45081215
8	8	HEX HEAD BOLT	M14x40 DIN933	8.8 GEOMET 321 A	45011410
7	8	LOCK NUT	M14 DIN985	8.8 Fe/Zn 7 IV S	45081415
6	8	PLAIN WASHER	M14 DIN125-1A	8.8 GEOMET 321 A	45110114
5	8	SPRING WASHER	M14 DIN127	8.8 GEOMET 321 A	45110214
4	1	OIL-TANK	110/85 SM-RF		14016330
3	4	U-PROFILE		BRUSHED INOX	09202145
2	4	TANK RUBBER	HTR 1006	RUBBER	08101050
1	2	TITAN COMPONENT SUPPORT HD			AE080625
POS	QTY	DESCRIPTION	DIMENSIONS	MATERIAL	PART NO. NT



OIL TANK - ENLARGED OIL TANK 150 LITER - OT40102

Part
AE080910

1/1

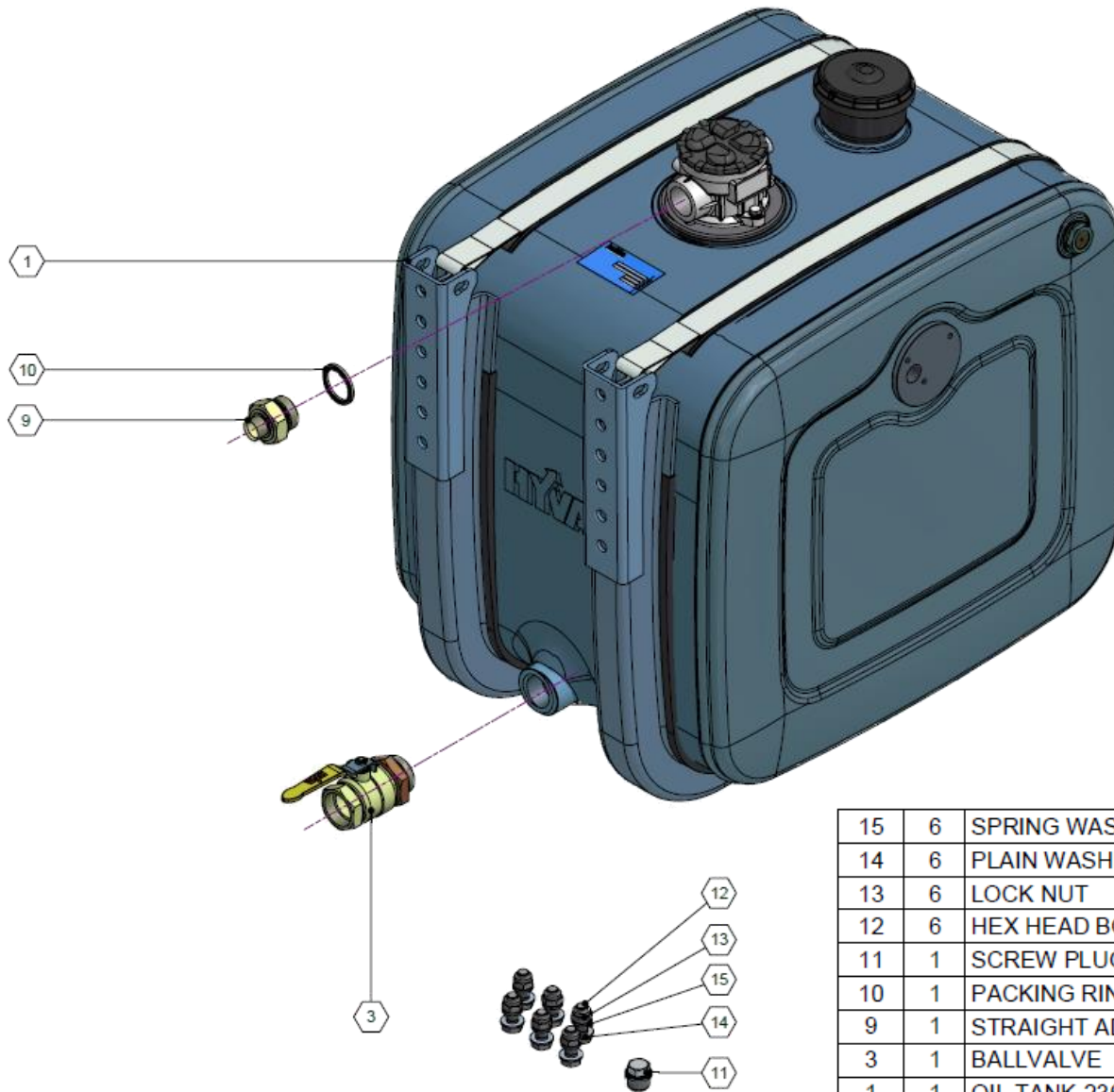


15	6	SPRING WASHER	M14 DIN127	8.8 GEOMET 321 A	45110214
14	6	PLAIN WASHER	M14 DIN125-1A	8.8 GEOMET 321 A	45110114
13	6	LOCK NUT	M14 DIN985	8.8 Fe/Zn 7 IV S	45081415
12	6	HEX HEAD BOLT	M14x40 DIN933	8.8 GEOMET 321 A	45011410
11	1	SCREW PLUG	3/4"	DIN 910	01702841
10	1	PACKING RING	1 1/4"		01206874
9	1	STRAIGHT ADAPTER	HP1 1/4" BSPOTx3/4"	230Mo7	01317959
3	1	BALLVALVE	1 1/2"		14780981
1	1	OIL TANK-179L/150L-MP-RF	TANK 150 L		TS-150MF
POS	QTY	DESCRIPTION	DIMENSIONS	MATERIAL	PART NO. NT

OIL TANK - ENLARGED OIL TANK 190 LITER - OT40103

 Part
 AE080911

1/1



15	6	SPRING WASHER	M14 DIN127	8.8 GEOMET 321 A	45110214
14	6	PLAIN WASHER	M14 DIN125-1A	8.8 GEOMET 321 A	45110114
13	6	LOCK NUT	M14 DIN985	8.8 Fe/Zn 7 IV S	45081415
12	6	HEX HEAD BOLT	M14x40 DIN933	8.8 GEOMET 321 A	45011410
11	1	SCREW PLUG	3/4"	DIN 910	01702841
10	1	PACKING RING	1 1/4"		01206874
9	1	STRAIGHT ADAPT	HP1 1/4" BSPOTx3/4"	230Mo7	01317959
3	1	BALLVALVE	1 1/2		14780981
1	1	OIL TANK-236L/200L-MP-MR	TANK 205 L		TS-200MF
POS	QTY	DESCRIPTION	DIMENSIONS	MATERIAL	PART NO. NT



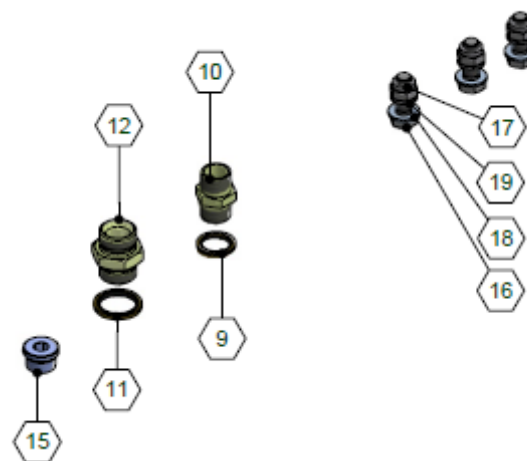
OIL TANK - MONO BRACKET OIL TANK 110 LITER - OT40105

Part
AE081445

1/1



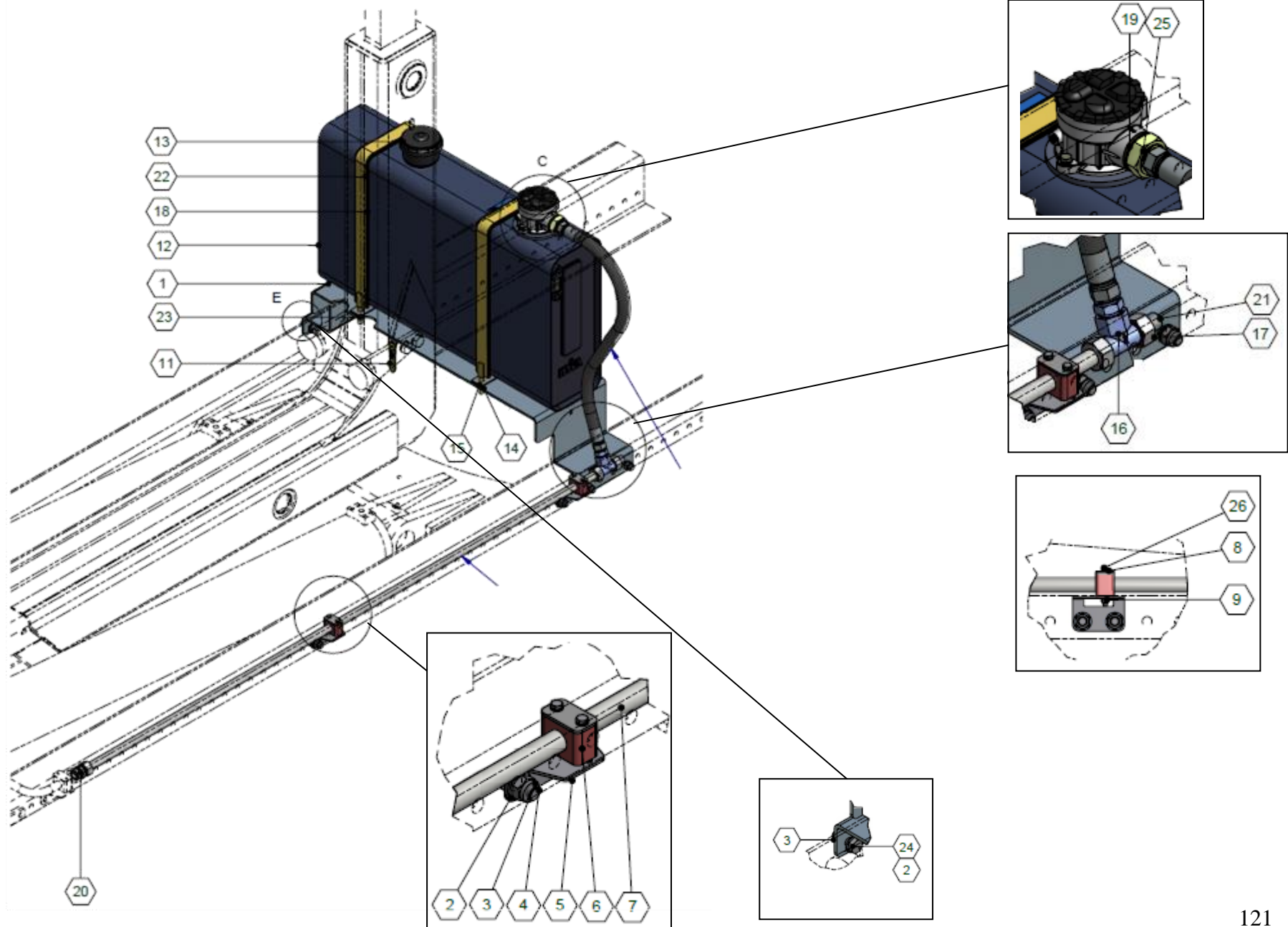
19	3	SPRING WASHER	M14 DIN127	GEOMET 321 A	45110214
18	3	PLAIN WASHER	M14 DIN125-1A	GEOMET 321 A	45110114
17	3	LOCK NUT	M14 DIN985	8 Fe/Zn 7 IV S	45081415
16	3	HEX HEAD BOLT	M14x40 DIN933	8.8 GEOMET 321 A	45011410
15	1	STOP	HP-3/4"BSPOT-HS	STEEL ZP	26500125
14	1	STRAIGHT ADAPTER	1 1/4" BSPOT - 3/4" BSPOT	STEEL ZP	01317959
13	1	PACKING RING	1 1/4"		01206874
12	1	STRAIGHT ADAPTER	1" BSPOT - 1" BSPOT	230 Mo 7	01317933
11	1	PACKING RING	1"		01313848
10	1	STRAIGHT ADAPTOR	HP-00-3/4" BSPOT-3/4" BSPOT	EN10277-3 11SMn30	01222661
9	1	BONDED SEAL	3/4"		01206850
6	1	BALLVALVE	1 1/2" BSPOT - 1" BSPIT	STEEL ZP	14780981
2	1	TANK RETURN FILTER	PIPE 350		14780303
1	1	OILTANK	SM-132L/110L-MP-MR		14017246
POS	QTY	DESCRIPTION	DIMENSIONS	MATERIAL	PART NO. NT



OIL TANK – FRONY SIDE MOUNTED - OT40107

Part
AE080649

1/1





OIL TANK – FRONY SIDE MOUNTED - OT40107	Part	
	AE080649	1/1

POS	QTY	DESCRIPTION	DIMENSIONS	MATERIAL	PART NO. NT
26	4	BOLT HEX	M6X55 DIN-933 Zn	Steel ZP	45010629
25	1	STRAIGHT ADAPTER	HP1 1/4" BSPOTx3/4"	230Mo7	01317959
24	4	HEX HEAD BOLT	M14x40 DIN933	8.8 GEOMET 321 A	45011410
23	2	PROTECTION STRIP TANK		RUBBER	NB000286
22	2	STRAP FOR OILTANK	195x515		14020000
21	1	ADAPTOR	HP-00-STOP 22L		26223600
20	1	ADAPTOR HP-00-SW-20SOT-20SOT		Steel ZP	26200100
19	1	PACKING RING	1 1/4"		01206874
18	2	TANK RUBBER		RUBBER	14020005
17	1	SWIVEL NUT	22L	Steel ZP	26223500
16	1	ADAPTOR 22L-1/2			26222500
15	4	SPRING WASHER	M12 DIN127	8.8 GEOMET 321 A	45110212
14	4	HEX LOCK NUT	M12 DIN985	8.8 Fe/Zn 7 IV S	45081215
13	1	OILTANK FILLERCAP	PI 0126 MIC 10		08102116
12	1	OILTANK	RM-081-065-RF		14015220
11	1	BALLVALVE	1 1/2		14780981
10	4	SPRING WASHER	M14 DIN127	8.8 GEOMET 321 A	45110214
9	8	LOCK NUT	M6 DIN985	8.8 Fe/Zn 7 IV S	45080615
8	8	SPRING WASHER	M6 DIN127	8.8 GEOMET 321 A	45110206
7	4	PIPE CLAMP TOPPLATE	20/22X1	Steel ZP	37020020
6	4	PIPE CLAMP BLOCK	22X1	PP	37010022
5	4	PLATE FOLDED			AE080305
4	8	HEX-HEAD BOLT	M14 X 35 DIN 933 8.8 Geomet 321 A		45011408
3	12	LOCK NUT	M14 DIN985	8.8 Fe/Zn 7 IV S	45081415
2	20	PLAIN WASHER	M14 DIN125-1A	8.8 GEOMET 321 A	45110114
1	1	FRONT MOUNTING TANK SUPPORT		S355JR (ST.52-3)	AE081448

OIL TANK – TUBING KIT - OT40107	Part	
	SEE TABLE	1/1

OT40107	20								
	49-SK	51-SK	53-SK	55-SK	57-SK	60-SK	62-SK	65-SK	47-SZ
TUBE KIT	AE801047	AE081049	AE081051	AE081053	AE081055	AE081057	AE081059	AE081061	AE081045

OT40107	22							
	49-SK	51-SK	53-SK	55-SK	57-SK	60-SK	62-SK	65-SK
TUBE KIT	AE801047	AE081049	AE081051	AE081053	AE081055	AE081057	AE081059	AE081061

