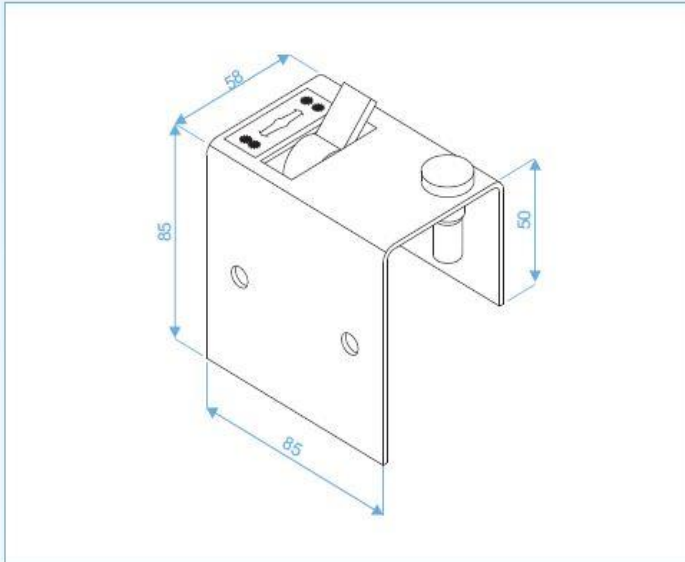


Tip control 1-section (P.T.O. control)

Part no.	Description	Kit no.	Max. press. (bar)	Min. press. (bar)	Ports		
					(1)	(3)	(23)
147 51 082 H	Tip control P.T.O. - 1 - PN	FA150A	12 bar	5 bar	M12	M12	M12

Kit FA150A consists of control and air kit



Connections

- 1 : air inlet
- 3 : air exhaust
- 23 : working port (P.T.O.)

