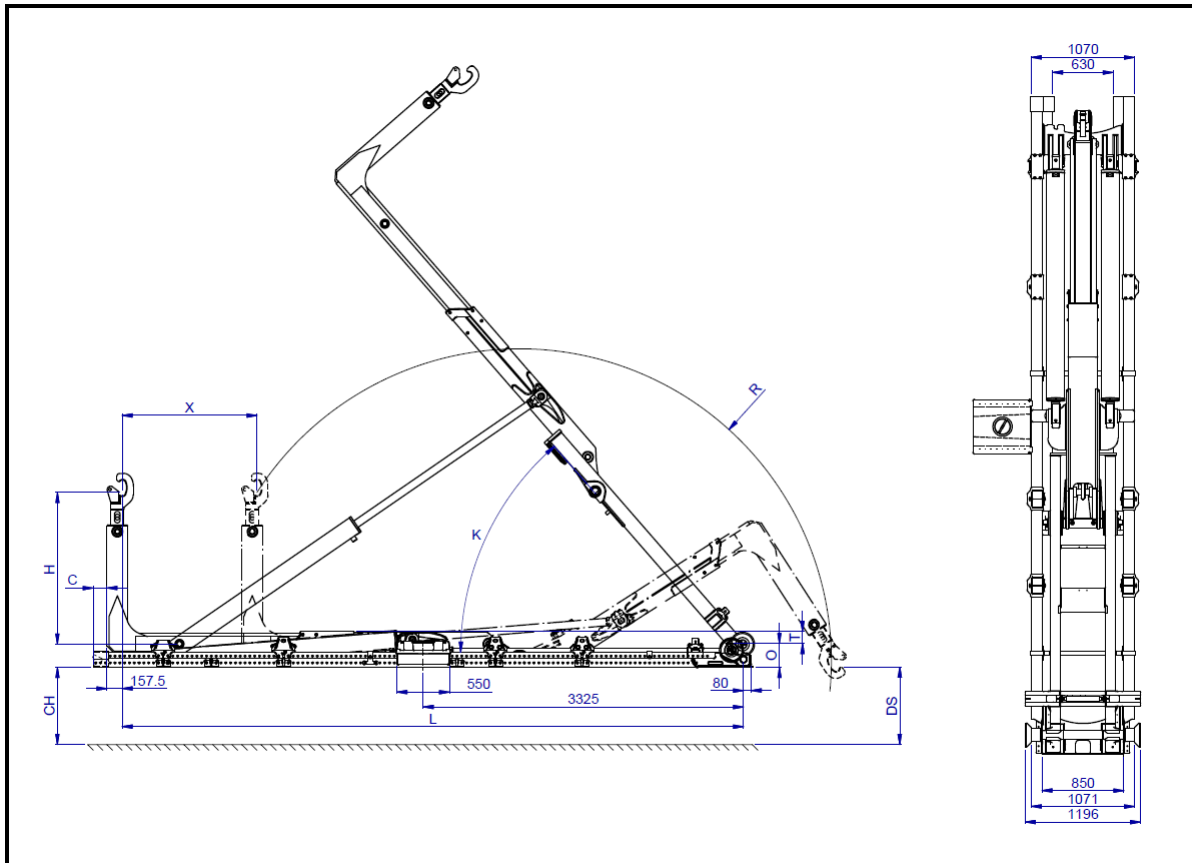


# TITAN HOOKLOADER

Capacity 220 kN (-S) H= 1570 mm CH= 1050 mm



TYPE:	T22-47-S	T22-49-S	T22-51-S	T22-53-S	T22-55-S	T22-57-S	T22-60-S	T22-62-S	T22-65-S
X (mm)	1000	1000	1000	1200	1200	1200	1400	1400	1400
L (mm)	4700	4900	5100	5300	5500	5700	5950	6200	6450
O (mm)	250	250	250	250	250	250	250	250	250
K (°)	53°	49°	47°	55°	52°	49°	54°	50°	49°
R (mm)	2890	2890	2890	3045	3045	3045	3165	3165	3250
T (mm)	130	130	130	130	130	130	130	130	130
Weight <sup>1</sup> (kg)	2275	2300	2350	2550	2575	2600	2650	2675	2800
DS (mm)	1175	1175	1175	1060	1060	1060	960	960	1010
Min./max. container length (mm)	3700-5800	3900-6000	4050-6150	4100-6400	4300-6600	4500-6800	4550-7050	4800-7300	5050-7550
C (mm)	200	200	200	200	200	200	200	200	150
Loading (time) <sup>2</sup> (s)	35	35	35	42	42	42	47	47	47
Unloading (time) <sup>2</sup> (s)	44	44	44	52	52	52	59	59	59
Tipping (time) <sup>2</sup> (s)	39	39	39	47	47	47	53	53	53
Fast unloading (time) <sup>2</sup> (s)	13	13	13	16	16	16	18	18	18
Supplied Pump (l/min)	84	84	84	84	84	84	84	84	84
Flow (l/min)	100	100	100	100	100	100	100	100	100

H = Hook height, CH = Chassis height, DS = Lowest pick up point (depending on hook- and chassis height)

<sup>1</sup> Rough estimation based on a standard system, filled with oil and without mounting kit accessories.

<sup>2</sup> Rough estimation based on PTO type C, pump 80 l/min., motor 1200rpm, PTO transmission i = 1.0 and dependent on cylinder thickness. Pressure: 350 bar